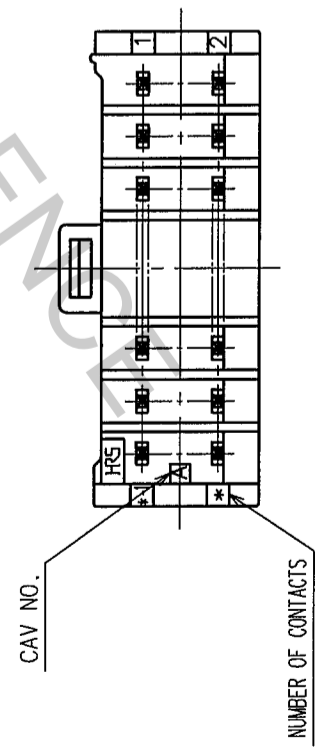
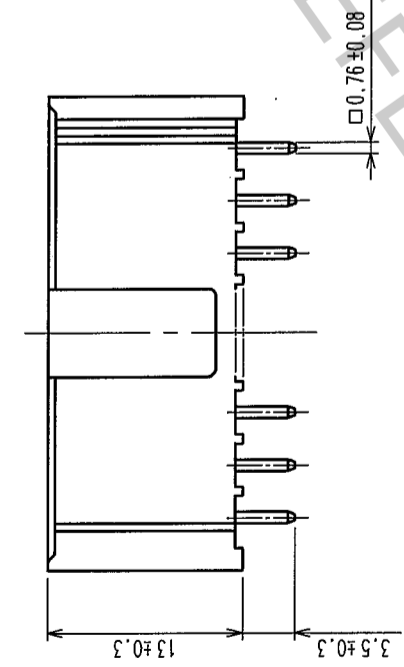
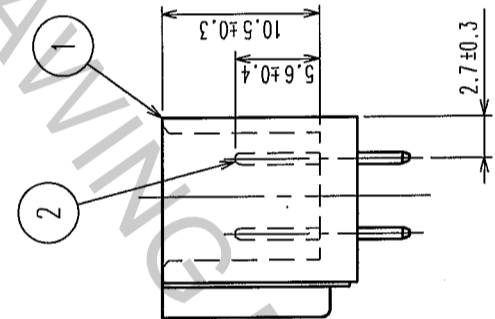
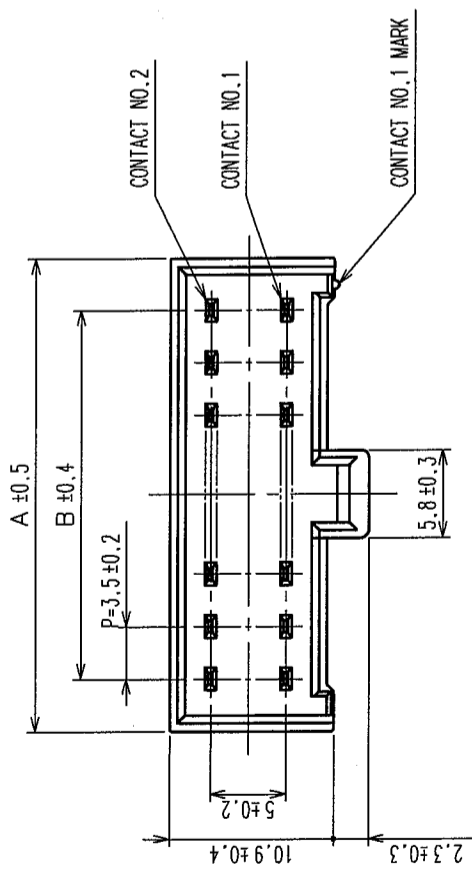


COUNT	DESCRIPTION OF REVISIONS	BY	CHKD	DATE	COUNT	DESCRIPTION OF REVISIONS	BY	CHKD	DATE
△					△				
△					△				
△					△				



NOTE 1 : RECOMMENDED PC BOARD HOLE DIAMETER  $\phi 1.3 \pm 0.1$

CODE NO.	PART NO.	NUMBER OF CONTACTS	A	B
CL547-0083-2-05	MDF6-4DP-3.5DSA(05)	4	10.5	3.5
CL547-0084-5-05	MDF6-6DP-3.5DSA(05)	6	14.0	7.0
CL547-0085-8-05	MDF6-8DP-3.5DSA(05)	8	17.5	10.5
CL547-0086-0-05	MDF6-10DP-3.5DSA(05)	10	21.0	14.0
CL547-0087-3-05	MDF6-12DP-3.5DSA(05)	12	24.5	17.5
CL547-0088-6-05	MDF6-14DP-3.5DSA(05)	14	28.0	21.0
CL547-0089-9-05	MDF6-16DP-3.5DSA(05)	16	31.5	24.5
CL547-0090-8-05	MDF6-18DP-3.5DSA(05)	18	35.0	28.0
CL547-0091-0-05	MDF6-20DP-3.5DSA(05)	20	38.5	31.5

1	POLYAMIDE	WHITE, UL94V-0	2	BRASS	SURFACE: TIN-COPPER PLATED 1 $\mu$ m min UNDER PLATING: NICKEL 0.5 $\mu$ m min
NO.	MATERIAL	FINISH, REMARKS	NO.	MATERIAL	FINISH, REMARKS
CODE NO. (OLD)	CL		DRAWN	DESIGNED	CHECKED
			M. Nakamoto '04.04.16	H. Nakamura '04.04.16	J. Oka '04.04.16
SCALE	10:1		PART NO.	MDF6-*DP-3.5DSA(05)	
UNITS	mm		CODE NO.	CL547-	
			DRAWING NO.	EDC3-160046-10	
				HIROSE ELECTRIC CO., LTD	

TO