

NOTES:

1) MATERIALS:

HOUSING: GLASS FILLED LCP (LIQUID CRYSTAL POLYMER), UL 94V-0, BLACK.
 MOLDED STICK: GLASS FILLED LCP (LIQUID CRYSTAL POLYMER), UL 94V-0, BLACK.
 FEMALE CONTACT: BERYLLIUM COPPER .0100±.0005 THICK.
 OUTER SHELL: LOW CARBON STEEL.
 THREADED BOARD LOCK: BRASS.

2) PLATING :

CONTACT: .000030/(.00076) MINIMUM GOLD IN SELECTIVE AREA;
 .000100/(0.00254) MINIMUM TIN IN SELECTIVE AREA;
 OVER NICKEL UNDERPLATE OVERALL.

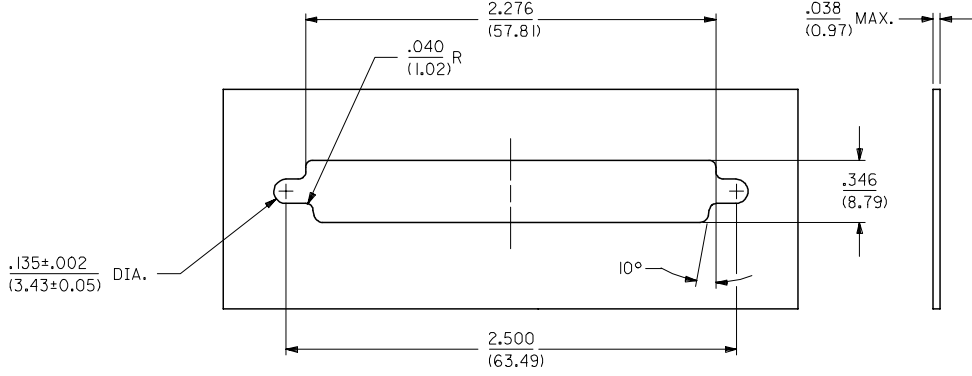
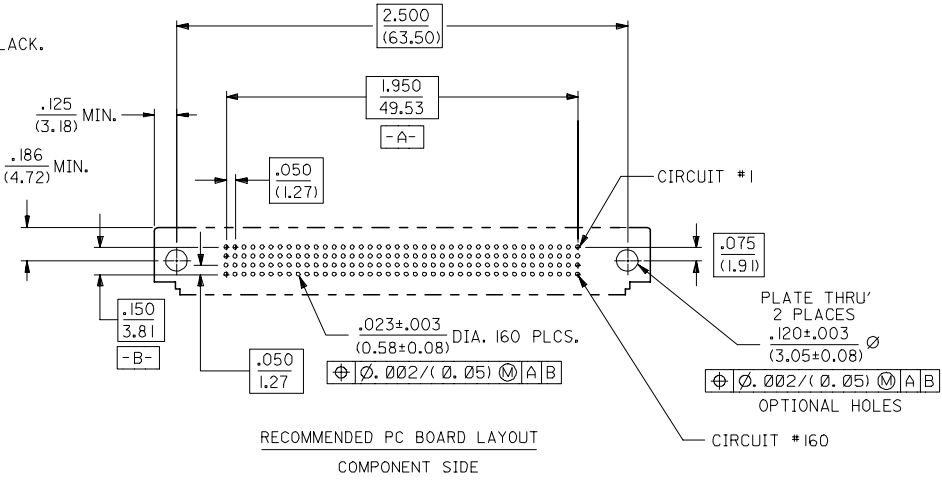
OUTER SHELL: .000100/(0.00254) MINIMUM BRIGHT NICKEL;
 OVER COPPER FLASH (OPTIONAL).

BOARDLOCK: .000150-.000200/(0.00381-0.00508) BRIGHT TIN;
 OVER .000050/(0.00127) MINIMUM NICKEL.

3) THIS PART CONFORMS TO MOLEX PRODUCT SPECIFICATION PS-71626.

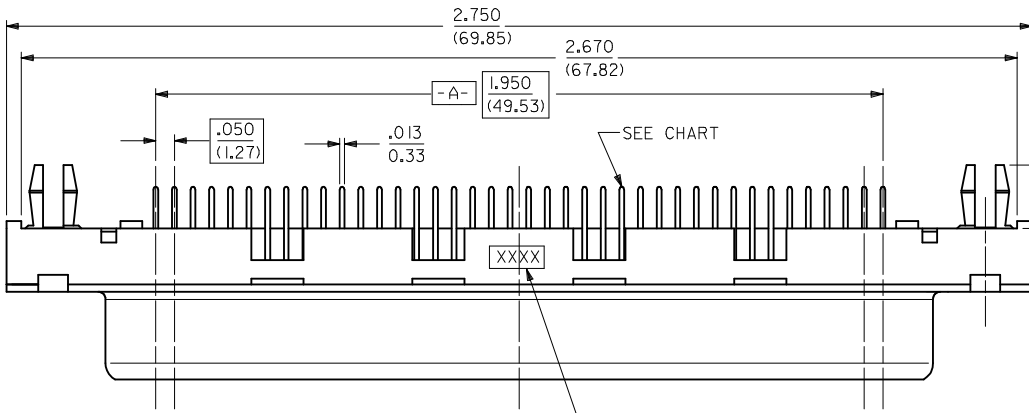
4) PART COMPLIES WITH CLASS B OF COSMETIC SPECIFICATION PS-45499-002

NOTE FOR LEAD FREE CONVERSION:
 THE PRIMARY SHIPPING CARTON WILL BE
 LABELED "COMPLIANT TO RoHS DIRECTIVE
 2002/95/EC AND ELV ANNEX II OF
 DIRECTIVE 2000/53/EC". CARTONS
 WITHOUT THIS LABEL MAY CONTAIN
 PRODUCT WITH LEAD.

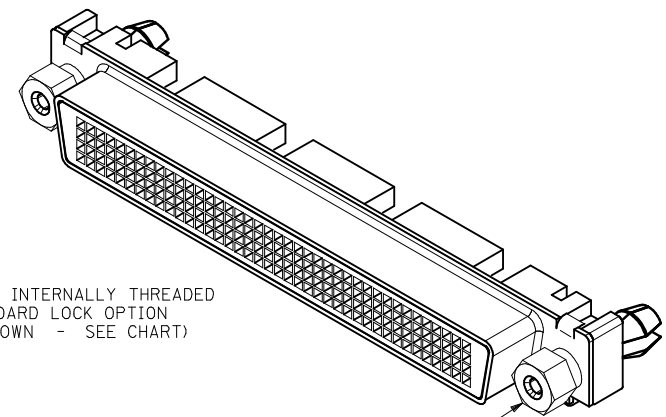


PANEL CUT-OUT DIMENSIONS
 ALL TOLERANCES ±.003/(0.08)
 UNLESS OTHERWISE STATED.

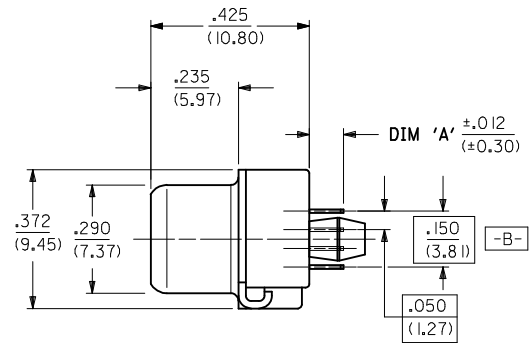
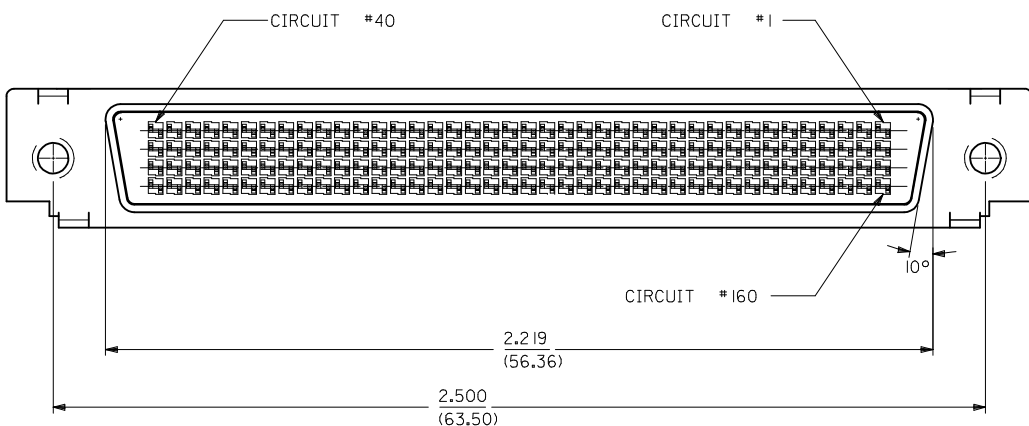
ADD NOTE 4 EC NO: UCP2006-3051 2006/07/10 DRAWN BY: BARRA 2006/07/10 CHKD: MORGAN 2006/07/10 APPR: MILLER 2006/07/11	QUALITY SYMBOLS ▽=0 ▽=0	GENERAL TOLERANCES (UNLESS SPECIFIED)		DIMENSION STYLE IN/MM		SCALE 2:1	DESIGN UNITS INCH	THIRD ANGLE PROJECTION		
		4 PLACES ± --- ± ---	3 PLACES ± --- ± ---	2 PLACES ± --- ± ---	1 PLACE ± --- ± ---	DRAWN BY MOS	DATE 1994/08/24	TITLE .050 PITCH LFH 160 CKT VERTICAL I/O FEMALE SALES ASSEMBLY		
		ANGULAR ±1/2°				CHECKED BY GF	DATE 1994/08/29	MATERIAL NO. DOCUMENT NO. SHEET NO. SDA-71626-1*** 2 OF 2		
		DRAFT WHERE APPLICABLE MUST REMAIN WITHIN DIMENSIONS				APPROVED BY GF	DATE 1994/08/29	MATERIAL NO. DOCUMENT NO. SHEET NO. SDA-71626-1*** 2 OF 2		
THIS DRAWING CONTAINS INFORMATION THAT IS PROPRIETARY TO MOLEX INCORPORATED AND SHOULD NOT BE USED WITHOUT WRITTEN PERMISSION										



.150
(3.81)
M3 INTERNALLY THREADED
(BOARD LOCK OPTION
SHOWN - SEE CHART)
.020
(0.51)
STANDOFF
HEIGHT



GUIDE SLEEVE
NOTE: THIS HARDWARE MUST
BE USED TO ENSURE
PROPER GROUNDING.
SEE SDA-71629-****.



		OPTIONS						
ENG. NUMBER	ITEM NUMBER	DIM 'A'	M3 INSERT	BOARDLOCK	PACKAGING SPEC.	TRUE-POSITION		
A-71626-1000	051-24-1030	.092/(2.34)	YES	NO	PK-70873-297	⊕ .005/(0.13) Ⓜ	A B	
A-71626-1001	71626-1001	.092/(2.34)	YES	YES	PK-70873-297	⊕ .005/(0.13) Ⓜ	A B	
A-71626-1002	71626-1002	.092/(2.34)	NO	NO	PK-70873-297	⊕ .005/(0.13) Ⓜ	A B	
A-71626-1003	71626-1003	.125/(3.18)	YES	NO	PK-70873-297	⊕ .005/(0.13) Ⓜ	A B	
A-71626-1004	71626-1004	.125/(3.18)	YES	YES	PK-70873-297	⊕ .005/(0.13) Ⓜ	A B	
A-71626-1005	71626-1005	.125/(3.18)	NO	NO	PK-70873-297	⊕ .005/(0.13) Ⓜ	A B	
A-71626-1006	71626-1006	.177/(4.49)	YES	NO	PK-70873-1005	⊕ .020/(0.51) Ⓜ	A B	
A-71626-1007	71626-1007	.210/(5.33)	YES	NO	PK-70873-1005	⊕ .020/(0.51) Ⓜ	A B	

SEE SHEET 2 EC NO: UCP2010-017 DRWNS/DANIELLY 2009/07/23 CHYK/DJORGAN 2009/07/24 APPR/SKILLER 2009/07/24	QUALITY SYMBOLS	GENERAL TOLERANCES (UNLESS SPECIFIED)		DIMENSION STYLE	SCALE	DESIGN UNITS	THIRD ANGLE PROJECTION	
	$\nabla=0$ $\nabla=0$	mm	INCH	MM ONLY	METRIC			
		4 PLACES ±	3 PLACES ±	2 PLACES ±	1 PLACE ±	DRAWN BY: MOS CHECKED BY: GF APPROVED BY: GF DATE: 1994/08/29		TITLE: .050 PITCH LFH 160 CKT VERTICAL I/O FEMALE SALES ASSEMBLY
		ANGULAR ±1/2°		DRAFT WHERE APPLICABLE MUST REMAIN WITHIN DIMENSIONS		MATERIAL NO: SEE TABLE	DOCUMENT NO: SDA-71626-1****	SHEET NO: 1 OF 2

NOTES:

1) MATERIALS:

HOUSING: GLASS FILLED LCP (LIQUID CRYSTAL POLYMER), UL 94V-0, BLACK.
 MOLDED STICK: GLASS FILLED LCP (LIQUID CRYSTAL POLYMER), UL 94V-0, BLACK.
 FEMALE CONTACT: HIGH PERFORMANCE COPPER ALLOY
 OUTER SHELL: LOW CARBON STEEL.
 THREADED BOARD LOCK: BRASS.

2) PLATING :

CONTACT: 30 microinches / 0.76 micrometer MIN. GOLD IN SELECTIVE AREA;
 100 microinches / 2.54 micrometers MIN. TIN SELECTIVE AREA;
 OVER NICKEL UNDERPLATE OVERALL.

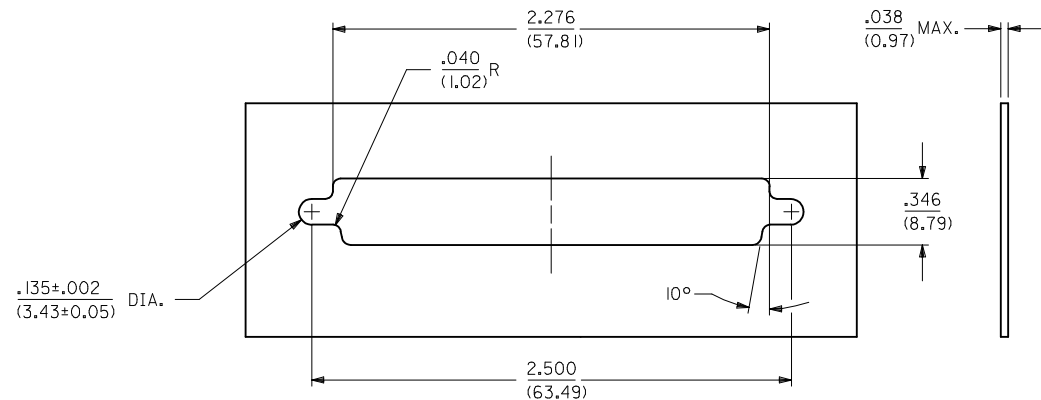
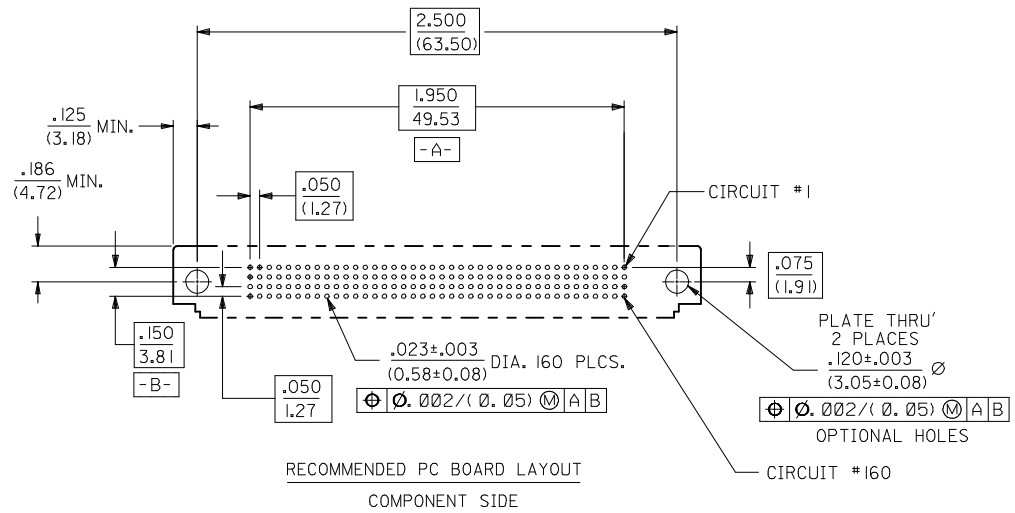
OUTER SHELL: 100 microinches / 2.54 micrometers MINIMUM BRIGHT NICKEL;
 OVER COPPER FLASH (OPTIONAL).

BOARDLOCK: 150 microinches / 3.81 micrometers MINIMUM BRIGHT TIN;
 NICKEL UNDERPLATE.

3) THIS PART CONFORMS TO MOLEX PRODUCT SPECIFICATION PS-71626.

4) PART COMPLIES WITH CLASS B OF COSMETIC SPECIFICATION PS-45499-002.

5) PARTS PACKAGED PER PK-70873-0299.



PANEL CUT-OUT DIMENSIONS
 ALL TOLERANCES ±.003/(0.08)
 UNLESS OTHERWISE STATED.

REVISE NOTES EC NO: UCP2010-0147 DRWNS: DANIELLY 2009/07/23 CHKD: DMORGAN 2009/07/24 APPR: SMILLER 2009/07/24	QUALITY SYMBOLS ▽=0 ▽=0	GENERAL TOLERANCES (UNLESS SPECIFIED)		DIMENSION STYLE MM ONLY		SCALE	DESIGN UNITS METRIC	THIRD ANGLE PROJECTION			
		4 PLACES ± --- ± --- 3 PLACES ± --- ± --- 2 PLACES ± --- ± --- 1 PLACE ± --- ± ---	mm INCH ± --- ± --- ± --- ± --- ± --- ± ---	DRAWN BY MOS	DATE 1994/08/29	TITLE .050 PITCH LFH 160 CKT VERTICAL I/O FEMALE SALES ASSEMBLY		MOLEX INCORPORATED		SHEET NO. 2 OF 2	
		ANGULAR ±1/2°		CHECKED BY GF	DATE 1994/08/29	APPROVED BY GF		DATE 1994/08/29		DOCUMENT NO. SDA-71626-1****	
		DRAFT WHERE APPLICABLE MUST REMAIN WITHIN DIMENSIONS		MATERIAL NO. SEE TABLE		THIS DRAWING CONTAINS INFORMATION THAT IS PROPRIETARY TO MOLEX INCORPORATED AND SHOULD NOT BE USED WITHOUT WRITTEN PERMISSION		MOLEX INCORPORATED		SDA-71626-1****	