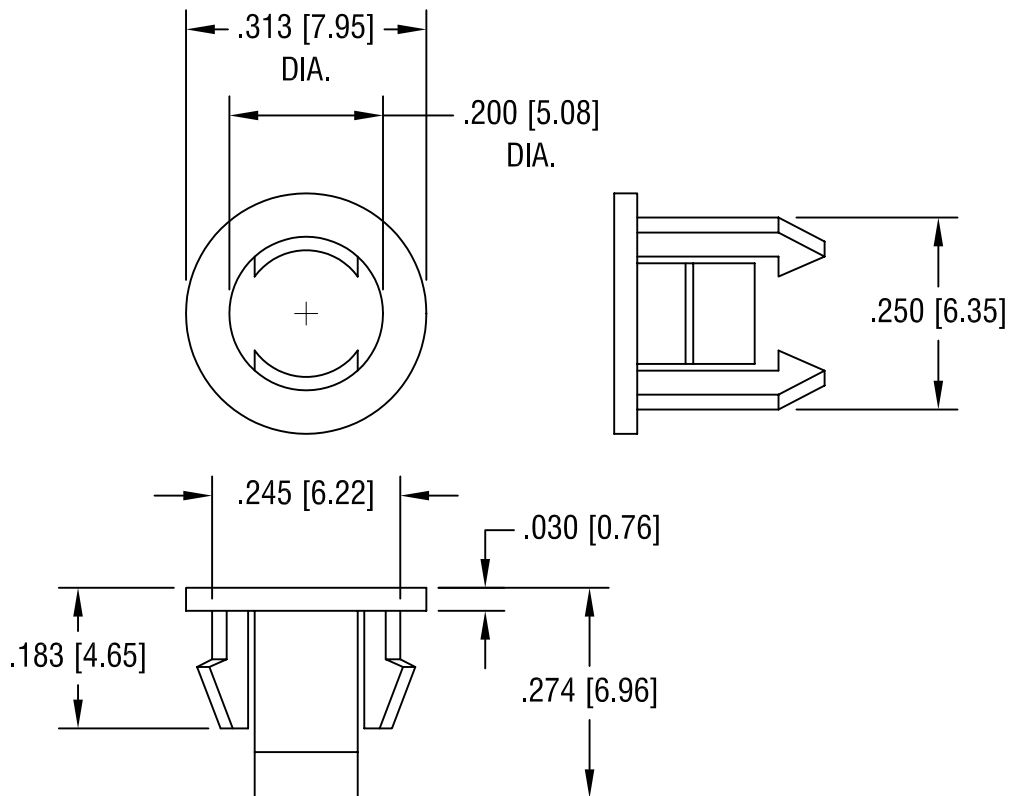


THIS DOCUMENT IS THE PROPERTY OF
KEYSTONE ELECTRONICS CORP. AND
SHALL NOT BE REPRODUCED, DISTRIBUTED
OR USED AS A BASIS FOR MANUFACTURE
WITHOUT PRIOR WRITTEN PERMISSION
FROM KEYSTONE ELECTRONICS CORP.



NOTE:

1. RECOMMENDED MOUNTING HOLE:
.250 [6.35] DIA.

KEYSTONE ELECTRONICS CORP.			
ASTORIA, N.Y. 11105-2017			
PART NAME			
SNAP-IN LED HOLDER, T-1 3/4			
MATERIAL			
NYLON 6/6, BLACK			
FINISH		DRN BY	DATE
-		BOONE	1.7.97
		APPD	SCALE
		LN	4X
TOLERANCES		INCH	[MM]
DECIMAL		$\pm .005$	$[\pm 0.15]$
ANGULAR		$\pm 1^\circ$	
UNLESS OTHERWISE SPECIFIED		CODE	DWG NO.
		C/M	8310

DATE	DESCRIPTION	REV.