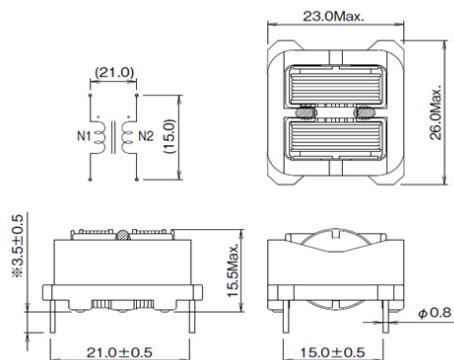


KEMET, SSHB21H, Commercial Grade, 0.0535 H



Dimensions

| | |
|-----------|----------------|
| L | 26mm MAX |
| T | 23mm MAX |
| H | 15.5mm MAX |
| S | 15mm +/-0.5mm |
| S1 | 21mm NOM |
| LL | 3.5mm +/-0.5mm |
| F | 0.8mm NOM |

Packaging Specifications

| | |
|----------------------------|------|
| Weight: | 14 g |
| Packaging: | Bulk |
| Packaging Quantity: | 360 |

General Information

| | |
|-----------------------|--|
| Series: | SSHB21H |
| Style: | Through-Hole Choke |
| Description: | Common Mode Filter, SS Coils, SSHB21H, High Impedance Type |
| RoHS: | Yes |
| Miscellaneous: | Temperature Rise Maximum: 60 K |
| Notes: | Marking: 05 Lot No. |

Specifications

| | |
|-------------------------------|------------------|
| Inductance: | 53.5 mH (10 kHz) |
| Temperature Range: | -25/+120C |
| Rated Temperature: | 120C |
| Current: | 0.5 Amps |
| Voltage AC: | 250 VAC |
| Withstanding Voltage: | 2400 VDC |
| Insulation Resistance: | 100 MOhms |