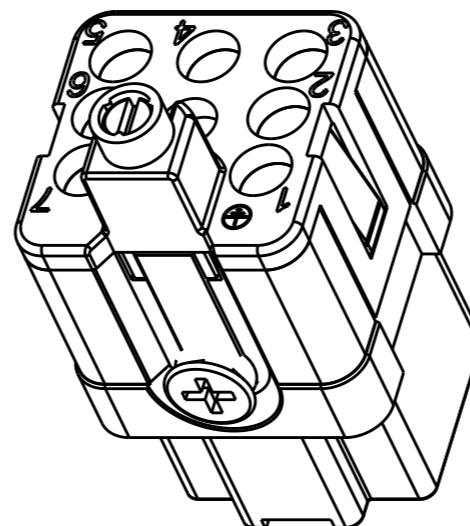
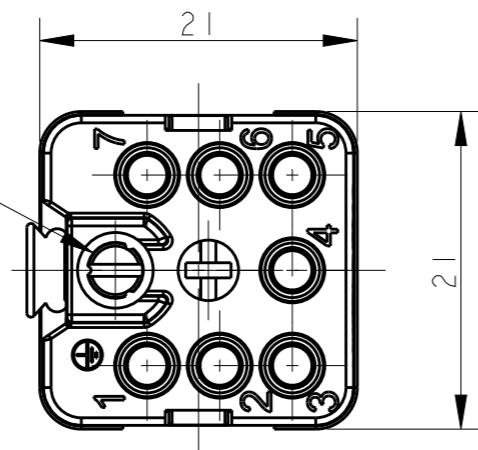


REVISIONS

P	LTR	DESCRIPTION	DATE	DWN	APVD
A		INITIAL RELEASE	02APR2015	DL	CW
B		ECR-15-014706	10OCT2015	DL	CW
B1		ECR-15-016505	11NOV2015	DL	CW
B2		ECR-16-018198	16JAN2017	QY	CW

M3 THREAD
RECOMMENDED
TIGHTENING
TORQUE 0.5Nm
M3螺丝, 推荐锁紧力矩0.5Nm



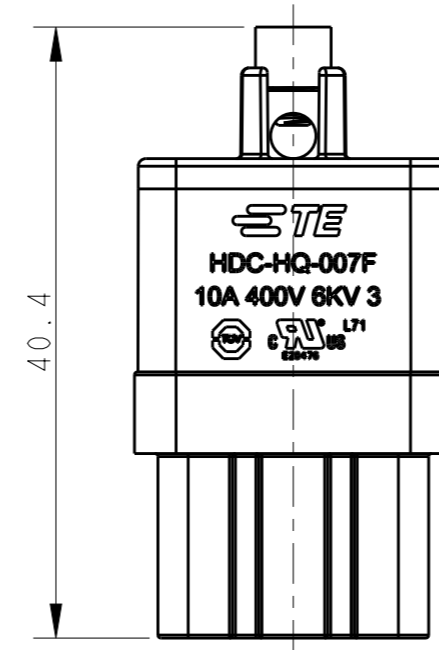
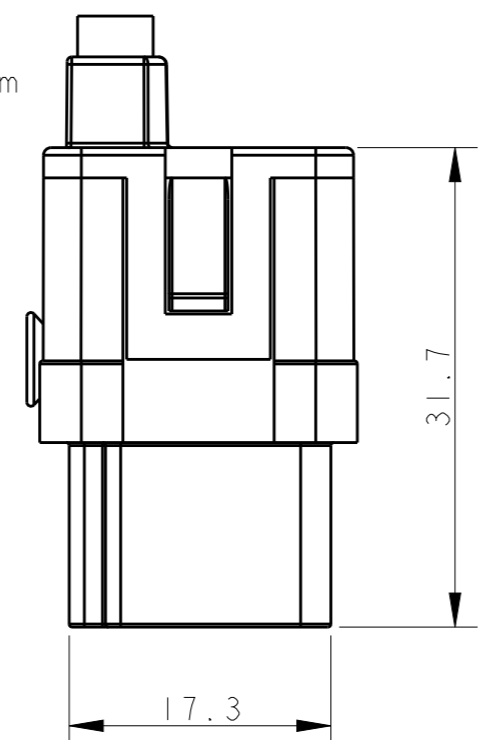
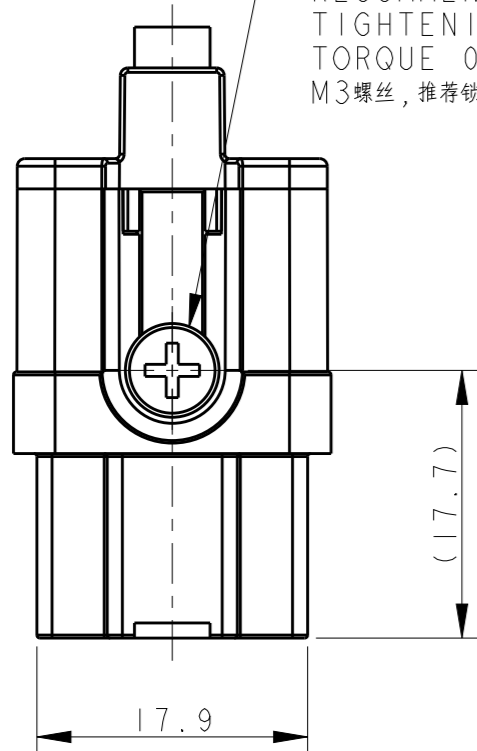
NOTES:

- TECHNICAL CHARACTERISTICS:
 INSULATION MATERIAL: PC
 RATED VOLTAGE: 400 V
 RATED CURRENT: 10 A
 INSULATION RESISTANCE: $\geq 400M\Omega$
 RATED IMPULSE VOLTAGE: 6 KV
 POLLUTION DEGREE: 3
 FLAMMABILITY: UL94V-0
 MATING CYCLES: 500 CYCLES
 WIRE RANGE: 0.14-2.5 mm² (26-14 AWG)
 CONTACT TYPE: CRIMP CONTACT
- CONTACT NEED TO BE ORDERED SEPARATELY.
 (ORDER No. REFER TO DRAWING: T20200X20XX000)

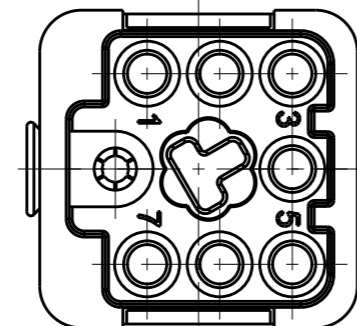
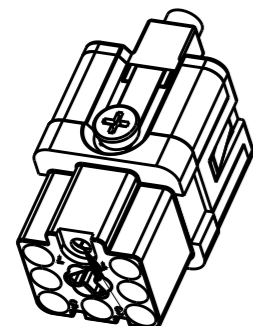
注释:

- 技术参数:
 绝缘材料: PC
 额定电压: 400V
 额定电流: 10A
 绝缘电阻: $\geq 400M\Omega$
 额定脉冲电压: 6 KV
 污染等级: 3
 阻燃等级: UL94V-0
 插拔次数: 500次
 接线范围: 0.14-2.5 mm² (26-14 AWG)
 接线类型: 冷压接
- 端子需要单独订购。
 (订货号参考图面: T20200X20XX000)

M3 THREAD
RECOMMENDED
TIGHTENING
TORQUE 0.5Nm
M3螺丝, 推荐锁紧力矩0.5Nm



TYPE-1:T2080072201-000 TE LOGO
 类型-1:T2080072201-000 TE LOGO



GROUNDING CONTACT TYPE: SCREW CONTACT
 GROUNDING CONTACT FINISH: SILVER PLATED
 WIRE RANGE: 2.5mm² (AWG14)
 接地端子类型: 螺丝连接端子 / 接地端子表面处理: 镀银 / 接线范围: 2.5mm² (AWG14)

THIS DRAWING IS A CONTROLLED DOCUMENT.		DWN 31MAR2015 DAVID LI		TE Connectivity	
DIMENSIONS: mm		CHK 31MAR2015 CHRIS WANG			
TOLERANCES UNLESS OTHERWISE SPECIFIED:		APVD 31MAR2015 XU XIANG		NAME HQ-007-F	
0 PLC ±-		PRODUCT SPEC		SIZE	
1 PLC ±-		108-137114		CAGE CODE	
2 PLC ±-		APPLICATION SPEC		DRAWING NO	
3 PLC ±-		114-137114		RESTRICTED TO	
4 PLC ±-		WEIGHT		SCALE	
ANGLES ±-		-		2:1	
FINISH		-		SHEET	
-		-		1 OF 2	
-		-		REV	
-		-		B2	

4

3

2

1

THIS DRAWING IS UNPUBLISHED.

RELEASED FOR PUBLICATION

20

© COPYRIGHT 20

BY -

ALL RIGHTS RESERVED.

REVISIONS

P	LTR	DESCRIPTION	DATE	DWN	APVD
-		SEE SHEET 1	-	-	-

ALL DIMENSIONS ARE SAME AS TYPE 1,
EXCEPT THOSE DEFINED IN THIS TYPE.
除了在本类型中定义的尺寸外, 其它尺寸同类型 |

NOTES:
SEE SHEET 1
注释:
见页 1

TYPE-2: T2080072201-001 STAINLESS STEEL SCREW, NO LOGO
类型-2: T2080072201-001 不锈钢螺丝, 无LOGO

T2080072201-001	HQ-007-F	HQ-007 FEMALE INSERT, STAINLESS STEEL SCREW, NO LOGO HQ-007母插, 不锈钢螺丝, 无LOGO	TYPE-2 类型-2
T2080072201-000	HQ-007-F	HQ-007 FEMALE INSERT HQ-007母插	TYPE-1 类型-1
PART NUMBER 料号	PART DESCRIPTION 描述		TYPE 类型

GROUNDING CONTACT TYPE: SCREW CONTACT
GROUNDING CONTACT FINISH: SILVER PLATED
WIRE RANGE: 2.5mm² (AWG14)
接地端子类型: 螺丝连接端子 / 接地端子表面处理: 镀银 / 接线范围: 2.5mm² (AWG14)

THIS DRAWING IS A CONTROLLED DOCUMENT.

DIMENSIONS:
mm

TOLERANCES UNLESS OTHERWISE SPECIFIED:

0 PLC	±-
1 PLC	±-
2 PLC	±-
3 PLC	±-
4 PLC	±-
ANGLES	±-
FINISH	-

MATERIAL

-

FINISH

-

DWN 31MAR2015

DAVID LI

CHK 31MAR2015

CHRIS WANG

APVD 31MAR2015

XU XIANG

PRODUCT SPEC

108-137114

APPLICATION SPEC

114-137114

WEIGHT

-

CUSTOMER DRAWING

TE Connectivity

NAME

HQ-007-F

SIZE

A3

CAGE CODE

-

DRAWING NO

C-T2080072201000

RESTRICTED TO

-

SCALE

2:1

SHEET

2 OF 2

REV

B2

1470-19 (3/13)