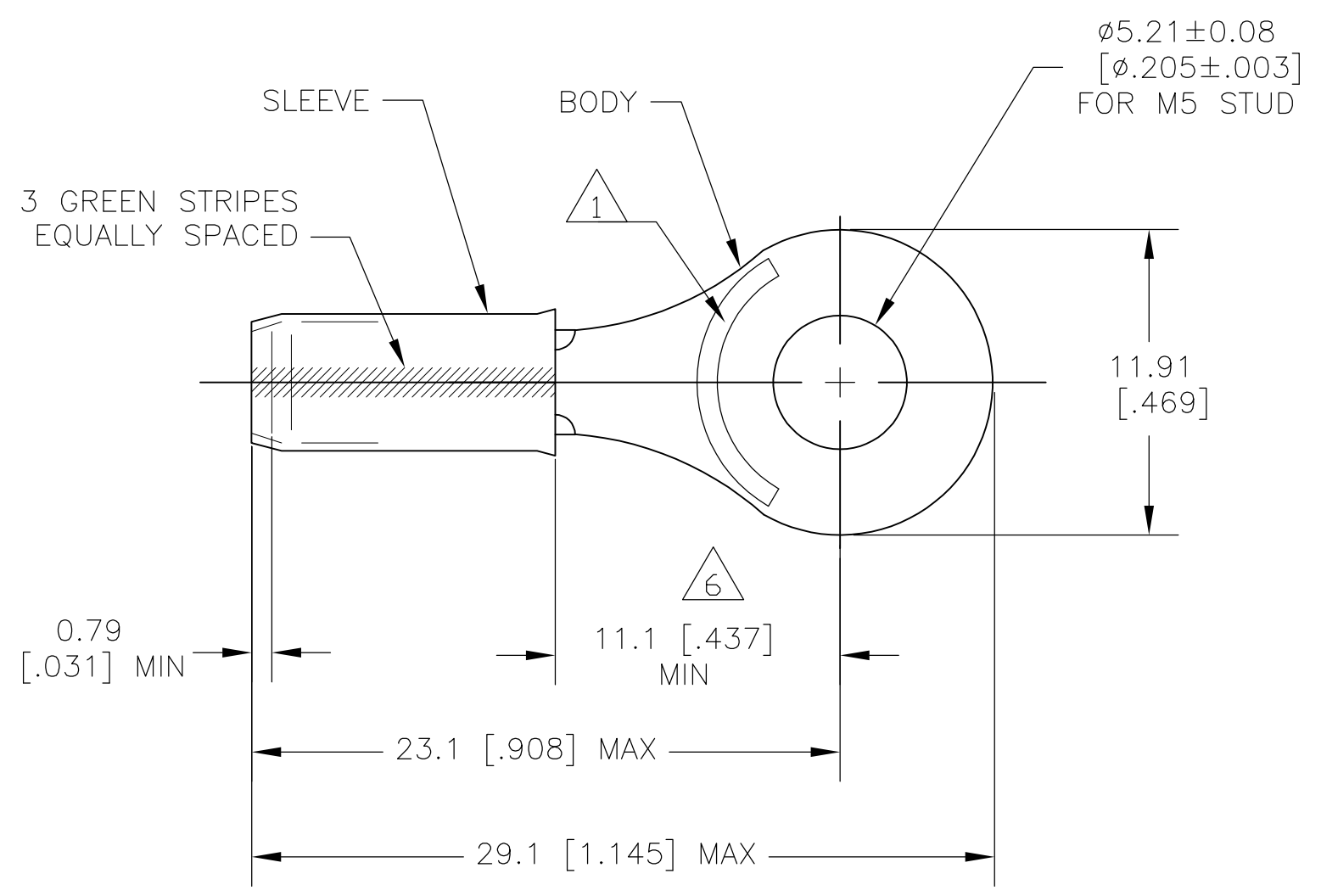


THIS DRAWING IS UNPUBLISHED. RELEASED FOR PUBLICATION
 © COPYRIGHT - BY TYCO ELECTRONICS CORPORATION. ALL RIGHTS RESERVED.

| LOC | DIST | REVISIONS | | | | | |
|-----|------|-----------|-----|-----------------------|---------|-----|------|
| | | P | LTR | DESCRIPTION | DATE | DWN | APVD |
| G | 02 | | A1 | REV PER ECR 07-024801 | 19OCT07 | JR | TM |



- 1 STAMP "AMP 16-14*" LOCATED APPROX AS SHOWN,
- 2 MATERIAL: TERMINAL - COPPER PER ASTM B-152, ANNEALED. SLEEVE - NYLON, COLOR BLUE
- 3 FINISH: TERMINAL - 0.00254 [0.00100] MIN TIN PLATE PER ASTM B-545
- 4 WIRE INSULATION DIA 2-3.3 [0.078-.130]
- 5 TONGUE MATERIAL THK: 0.79±0.05 [0.031±.002]
- 6 DIMENSION APPLIES FROM EDGE OF WIRE BARREL TO CENTER OF STUD HOLE.
- 7 MAX RECOMMENDED OPERATING TEMP 105°C [221°F]
- 8 VOLTAGE RATING IS 300 V MAX
- 9 1.65-2.62mm² [3,260-5,180] CMA, STRANDED

| | | |
|------|----------------|----------|
| 1000 | LOOSE PIECE | 134122-1 |
| QTY | PACKAGING TYPE | PART NO |

| | | | | |
|--|--|---------------------------------|--|--|
| THIS DRAWING IS A CONTROLLED DOCUMENT. | | DWN jr_ruth 19OCT07 | Tyco Electronics Corporation Harrisburg, PA 17105-3608 | |
| DIMENSIONS: MM [INCHES] | | CHK T MICHELUTTI 19OCT07 | NAME TERMINAL, RING TONGUE, I.R., PIDG, WIRE SIZE 14 AWG | |
| TOLERANCES UNLESS OTHERWISE SPECIFIED: | | APVD T MICHELUTTI 19OCT07 | PRODUCT SPEC - | |
| 0 PLC ± - | | APPLICATION SPEC - | | |
| 1 PLC ± - | | SIZE A3 | | |
| 2 PLC ± - | | CAGE CODE 00779 | | |
| 3 PLC ± 0.20 [0.008] | | DRAWING NO G-134122 | | |
| 4 PLC ± - | | RESTRICTED TO - | | |
| ANGLES ± - | | SCALE 4:1 | | |
| MATERIAL - 2 | | SHEET 1 OF 1 | | |
| FINISH - 3 | | REV A1 | | |
| CUSTOMER DRAWING | | | | |