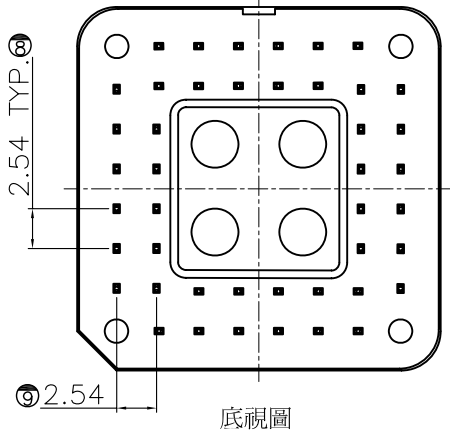
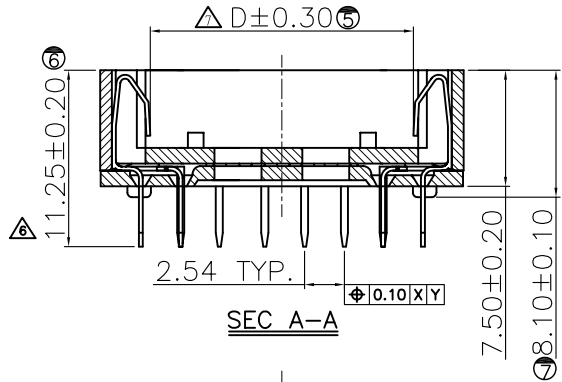
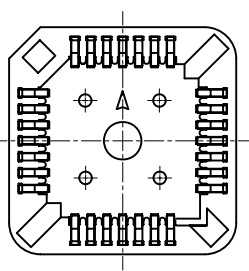


RECOMMENDED P.C. BOARD LAYOUT

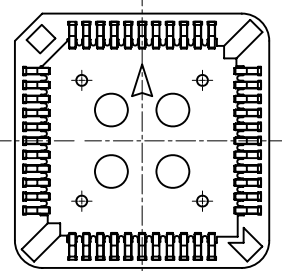
NOTES:
 SPECIFICATIONS:
 CURRENT RATING:1 AMP.
 VOLTAGE:250V AC/DC MAX.
 DIELECTRIC WITHSTANDING:500VAC FOR ONE MINUTE.
 CONTACT RESISTANCE:30mΩ (MAX).
 INSULATION RESISTANCE:100MΩ (MIN).
 OPERATING TEMPERATURE:-55°FXC+105°FXC
 RETENTION FORCE:0.30KG PER PIN (MIN).
 MATERIALS:
 BODY: PBT+30%GF UL 94V-0
 COVER: PBT+30%GF UL 94V-0
 CONTACTS:PHOSOR BRONZE.
 CONTACT PLATING GOLD
 ◉Mark is major Text Dimension.



底視圖



32P以下圖示



44P以上圖示

Dimension No.OF Pin	(mm)	A	B	C	D	E	F	G	H	I
DIP - 20P		15.56	15.56	9.10	9.10	5.08	5.08	10.16	10.16	17.24
DIP - 28P		18.10	18.10	11.66	11.66	7.62	7.62	12.70	12.70	20.83
DIP - 32P		20.60	18.10	14.17	11.66	10.16	7.62	15.24	12.70	22.61
DIP - 44P		23.48	23.48	16.78	16.78	12.70	12.70	17.78	17.78	28.50
DIP - 52P		25.88	25.88	19.28	19.28	15.24	15.24	20.32	20.32	32.45
DIP - 68P		31.66	31.66	24.35	24.35	20.32	20.32	25.40	25.40	39.30
DIP - 84P		36.66	36.66	29.38	29.38	25.40	25.40	30.48	30.48	46.85

10/06/24	Jody	EG-N1013112	更改尺寸公差	△	A7
10/05/04	Jody	EG-N1013104	更改尺寸	△	A6
DATE	DR.BY	ECN.NO.	DESCRIPTION	MARK	VER.

-TOLERANCES- UNLESS OTHERWISE SPECIFIED 公差參考表						CnC Tech, LLC TITLE: 產品名稱：PLCC 0.25 DIP180度成品				
X.X	±0.25									
X.XX	±0.15	X.XX°	±1.00°	CHECK: 校對：	DATE	SCALE	UNIT	TYPE	PAGE	
X.XXX	±0.050	X.XXX°	±0.500°	DRAW: 繪圖：	2010.06.24	1:1	mm	PD	1/1	