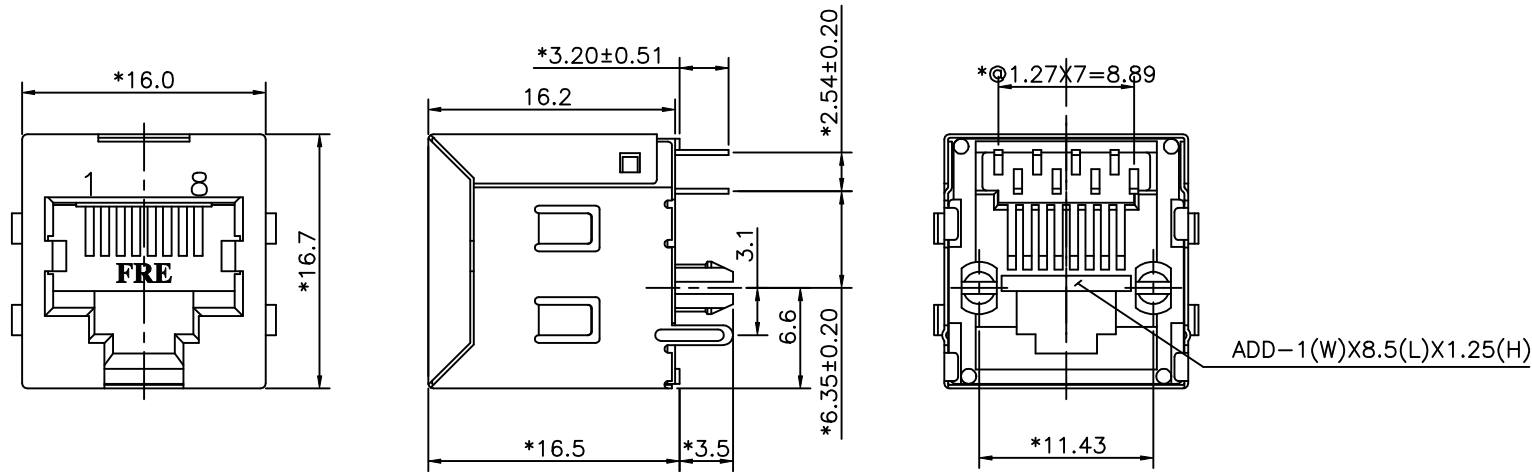


| REVISION RECORD |     |             |      |      |
|-----------------|-----|-------------|------|------|
| REV             | ECO | DESCRIPTION | DRFT | CHKD |
|                 |     |             |      |      |



**NOTES:**

**ELECTRICAL:**

- VOLTAGE RATING : 125 VAC RMS.
- CURRENT RATING : 1.5 AMP.
- CONTACT RESISTANCE : 30 MILLIOHMS MAX.
- INSULATION RESISTANCE: 1000 MEGOHMS MIN @ 500 VDC.
- DIELECTRIC STRENGTH : 1000 VAC RMS 60Hz, 1MIN.

**MECHANICAL:**

- HOUSING MATERIAL : FR52 UL94V-0.
- HOUSING COLOR : BK.
- CONTACT MATERIAL : PHOSPHOR BRONZE t=0.35mm.
- PLATING : GOLD PLATING OVER NICKEL.
- OPERATING LIFE : 750 CYCLES MIN.
- PCB RETENTION PRE-SOLDER : 1 LB MIN.
- PCB RETENTION POST-SOLDER: 10 LBS MIN.

**ENVIRONMENTAL:**

- STORAGE : -40°C TO +85°C.
- OPERATION: 0°C TO 70°C.
- INFRARED SOLDER TEMPERATURE : 255°C TO 265°C 5-10SECOND.

MATES WITH MODULAR PLUG CONFORMING TO FCC PART 68, SUBPART F.

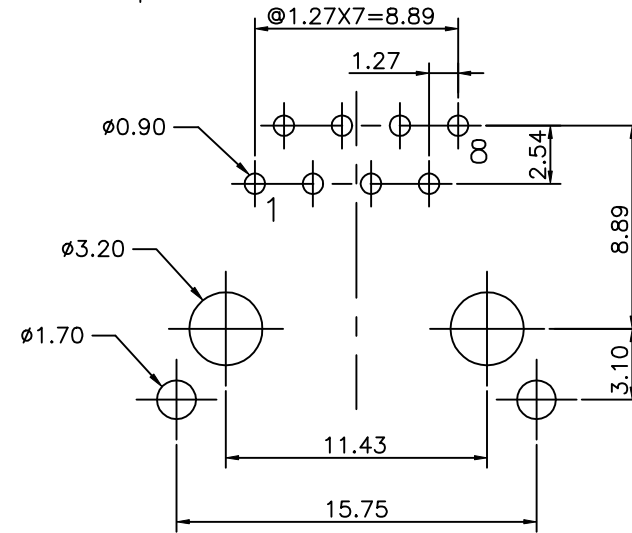
CUL FILE NO. E163191

ROHS PART NUMBER: E528X-XXOB4X-L

4-4C  
8-8C  
R-W/O FRE LOGO  
3-W/ FRE LOGO

GOLD PLATING:  
1- 3u" 2- 6u"  
3-15u" 4-30u"  
5-50u"

- 1- TIN PLATING,W/ SIDE TABS
- 2- NICKEL PLATING,W/ SIDE TABS
- S- TIN PLATING,W/O SIDE TABS
- T- NICKEL PLATING,W/O SIDE TABS



|                        |                            |             |              |                      |   |  |
|------------------------|----------------------------|-------------|--------------|----------------------|---|--|
| DETACHED LISTS         | ← MM (INCH) →              |             | DFTO ANKUE   | DATE 10/28/2005      | FULL RISE ELECTRONIC CO., LTD                       |  |
|                        | TOLERANCES EXCEPT AS NOTED |             | CHKD YICAN   | DATE 2005/10/28      |   |  |
|                        | MM                         | ±           | MFO          | DATE                 | TITLE RJ45 TOP ENTRY PCB JACK (DIP & IMPROVED TYPE) |  |
|                        | .0 ±0.20                   | ±           | APPVLLUSHENG | DATE 2005/10/28      |   |  |
|                        | .00 ±0.15                  | ±           | MATERIAL :   |                      | DRAWING NO. GE523094-LA                             |  |
| .000 ±0.075            | ±                          | ANGLES ±    |              | /PART NO. SEE NOTE   |   |  |
| THIRD ANGLE PROJECTION |                            | QTY :       |              | SIZE A3              |   |  |
|                        |                            | FINISH :    |              | REV 0                |   |  |
|                        |                            | SCALE : 3:1 |              | DO NOT SCALE DRAWING |   |  |
|                        |                            |             |              | SHEET X OF Y         |   |  |