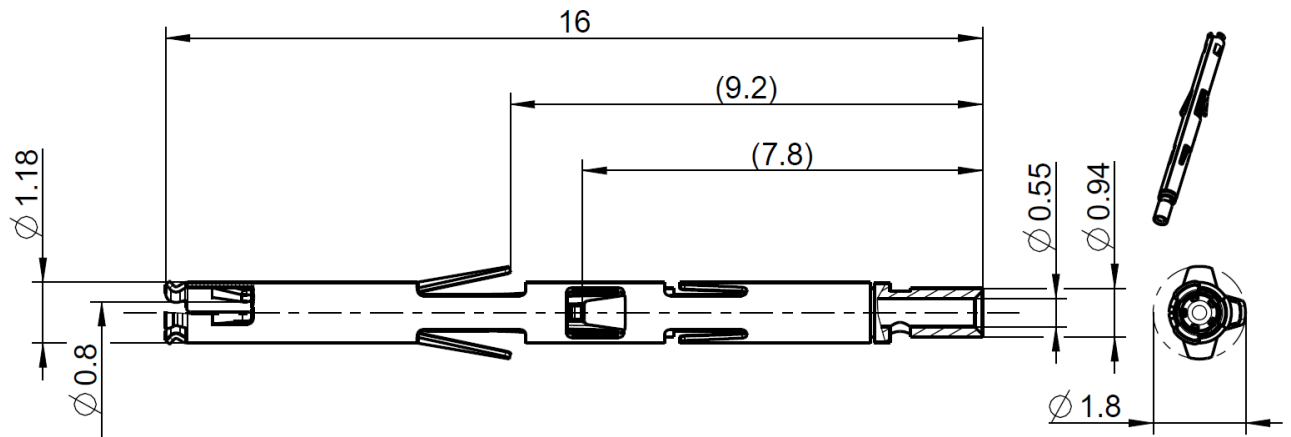


MF

straight jack

**MF1K109-199L-NM**



All dimensions are in mm; tolerances according to ISO 2768 m-H

**Interface**

According to N/A

**Documents**

Assembly instruction MA\_MF-A9  
 Panel piercing MB\_394  
 Instructions for Removal MF\_MV-A002

**Material and plating**

**Connector parts**

Contact	<b>Material</b> Spring bronze	<b>Plating</b> AuroDur®, gold plated
Body	Spring bronze	

**Electrical data**

Contact resistance initial  $\leq 70 \text{ m}\Omega$   
 Current typ. 2 A DC max.

**Mechanical data**

Mating cycles up to 100.000  
 Engagement force 0.3 N  
 Disengagement force 0.3 N

**Environmental data**

Temperature range -25°C .. +85°C  
 RoHS compliant

**Tooling**

Crimping tool (optional) 11W150-000  
 Crimp insert (optional) 11W150-401

**Suitable cables**

AWG26

Dieses Dokument ist urheberrechtlich geschützt • This document is protected by copyright • Rosenberger Hochfrequenztechnik GmbH & Co. KG

RF\_35/05.10/6.0

**Technical Data Sheet****Rosenberger**

MF

straight jack

**MF1K109-199L-NM****Packing**Standard  
Weight25 pcs in bag  
xx.x g/pce (TBD)

Dieses Dokument ist urheberrechtlich geschützt • This document is protected by copyright • Rosenberger Hochfrequenztechnik GmbH &amp; Co. KG

RF\_35/05.10/6.0

While the information has been carefully compiled to the best of our knowledge, nothing is intended as representation or warranty on our part and no statement herein shall be construed as recommendation to infringe existing patents. In the effort to improve our products, we reserve the right to make changes judged to be necessary.

Draft	Date	Approved	Date	Rev.	Engineering change number	Name	Date
G.Lapper	27/04/11	C. Kainzmaier	16.12.15	a00	15-s454	S. Doerr	16.12.15
Rosenberger Hochfrequenztechnik GmbH & Co. KG P.O.Box 1260 D-84526 Tittmoning Germany <a href="http://www.rosenberger.de">www.rosenberger.de</a>					Tel. : +49 8684 18-0 Fax : +49 8684 18-499 Email : <a href="mailto:info@rosenberger.de">info@rosenberger.de</a>		Page 2 / 2