

ZL30241 Single Channel Precision Universal Clock Generator and NCO

Ordering Information
 ZL30241LDG1 48 Pin QFN Tray
 ZL30241LDF1 48 Pin QFN Tape/Reel
 Matte Tin
-40°C to +85°C
 Package size: 7 x 7 mm

Features

PLL

- One PLL with ultra low jitter
- Supports integer, fractional and ratio modes
 - Ratio mode for flexible FEC rate support

Inputs

- Crystals, crystal oscillator or reference (singled ended or differential) inputs
 - Crystal Input range from 22 MHz to 54 MHz
 - Crystal oscillator or single-ended reference input from 22 MHz to 180 MHz
 - Differential reference input from 22 to 864 MHz

Configuration

- Generates clock signals at power-up per user defined custom configuration (factory programmable)
- Dynamically configurable via SPI and volatile configuration registers

Outputs

- Synthesizes two different frequencies from the PLL
 - Up to 275 fs RMS jitter for integer mode
 - Up to 400 fs RMS jitter for fractional mode
- Each output is independently configurable to support LVDS, LVPECL, HCSL, LVCMOS
- Generates any output frequency from 12 MHz to 914 MHz
- Generates output from crystal, a crystal oscillator or reference
- NCO accuracy less than 0.1 ppb in fractional mode

Applications

- Clocks for NPUs, FPGAs, 10G CDRs, high-speed ADC, PCIe interface devices, Ethernet switches and PHYs
- Timing for optical, storage, networking and broadcast video applications

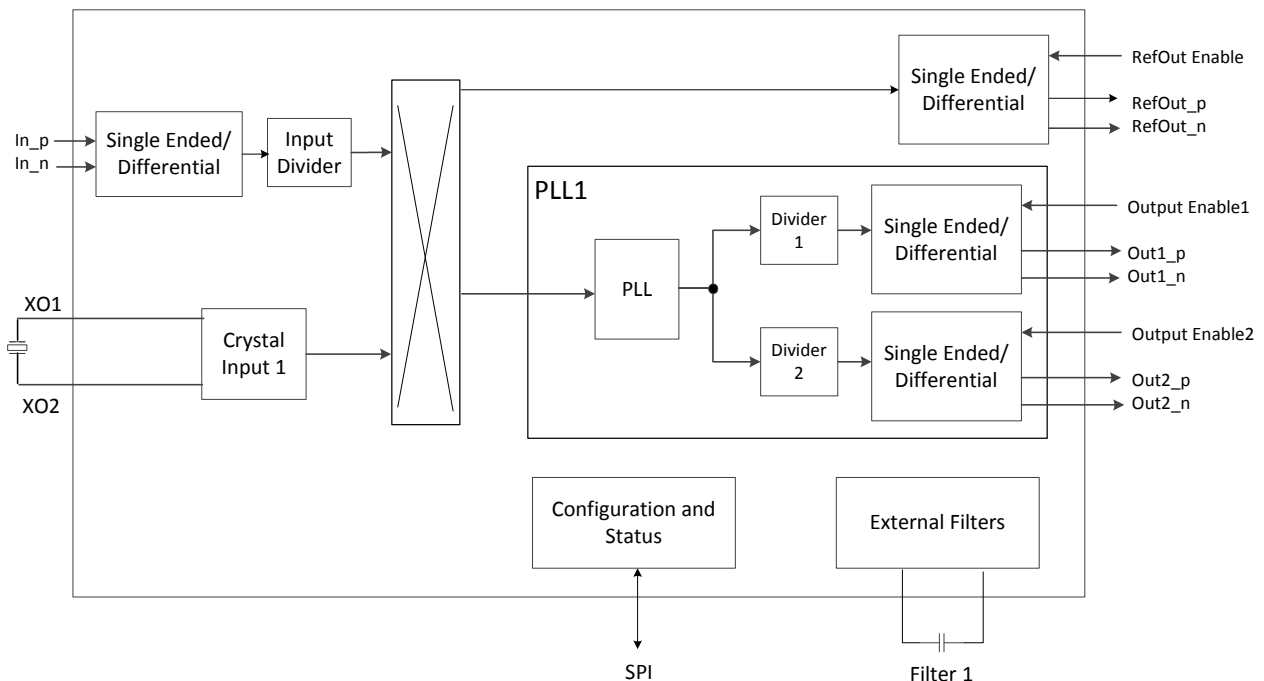


Figure 1 • Block Diagram

Table of Contents

1.0 Pin Diagram	5
2.0 Pin Description	5
3.0 Description	8
3.1 Input Configuration	8
3.2 Output Configuration	11
3.2.1 Output Control Pins	12
3.2.2 Output Electrical Format - (LVCMOS, LVDS, LVPECL, or HCSL)	12
3.3 Reference Input	12
3.4 Crystal Oscillator	13
3.5 PLLs	13
3.5.1 Integer Mode	14
3.5.2 Fractional Mode	14
3.5.3 Ratio Mode	14
3.6 Output Dividers	14
3.7 Status Indicators	15
3.8 Resets	15
4.0 SPI Programming	15
5.0 Register Map	18
6.0 Detailed Register Map	19
7.0 AC and DC Electrical Characteristics	30
8.0 Performance Characteristics	37
9.0 Thermal Characteristics	38
10.0 Mechanical Drawing	39

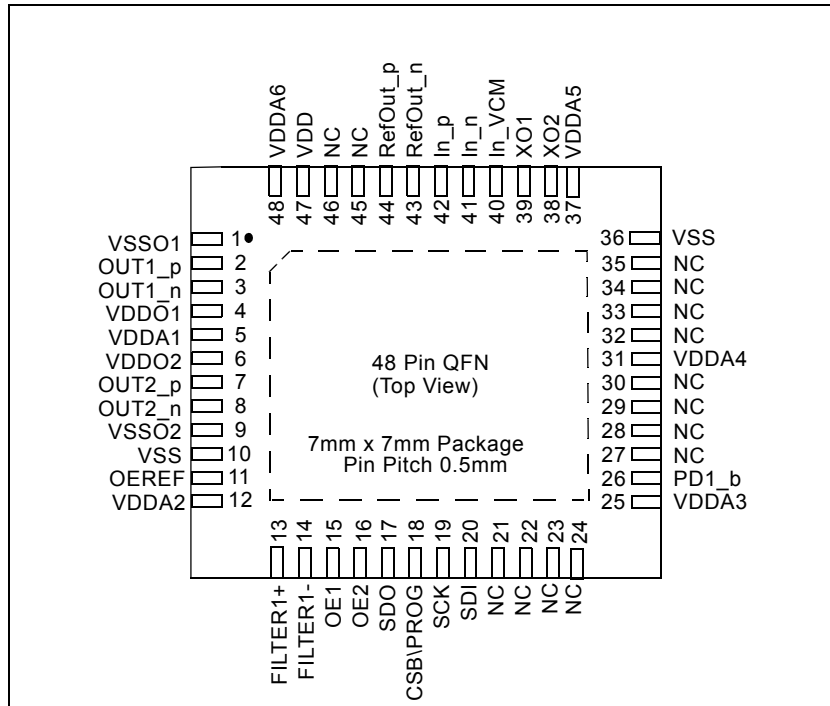
List of Figures

Figure 1 • Block Diagram	1
Figure 2 - Input Termination - LVCMOS	9
Figure 3 - Input Termination - LVDS	9
Figure 4 - Input Termination - LVPECL AC coupled	10
Figure 5 - Input Termination - LVPECL DC coupled	10
Figure 6 - Input Termination - HCSL	11
Figure 7 - Output Enable/Disable	11
Figure 8 - Example SPI Read	16
Figure 9 - Read (opcode 2) cycle	16
Figure 10 - Write (opcode 1) cycle	17
Figure 11 - Switching Waveforms	33
Figure 12 - LVDS Output Load & Test Circuit	33
Figure 13 - LVCMOS Output Load & Test Circuit	34
Figure 14 - LVPECL Output Load & Test Circuit	34
Figure 15 - HCSL Output Loads & Test Circuits	34
Figure 16 - Serial Peripheral Interface Timing - Master Read (opcode 2) cycle	36
Figure 17 - Serial Peripheral Interface Timing - Master Write (opcode 1) cycle	36

List of Tables

Table 1 - Pin Description	5
Table 2 - Input modes	8
Table 3 - Output modes	11
Table 5 - Xtal_gain[3:0] Values.....	13
Table 4 - Reference Input (In_p/In_n) Selection	13
Table 6 - Interpretation of S Parameter in Ratio Mode.....	14
Table 7 - SPI Operation Codes	16
Table 8 - Register Map.....	18
Table 9 - Thermal Care	38

1.0 Pin Diagram



2.0 Pin Description

Pin Name	48 QFN Pin #	Name	Type	Description
In_p In_n	42 41	Input	INPUT Selectable	Input (singled ended or differential). Can be selected as the reference clock for PLL1, and/or the Reference Clock Output. When not used for a single ended crystal oscillator, it can be differential with a DC bias provided by the In_VCM pin.
In_VCM	40	Input Bias	DC	When In_p/In_n act as a differential input, this pin connects to the midpoint of the two 50 ohm internal termination resistors.
XO1 XO2	39 38	Crystal Input 1	INPUT	External Crystal should be connected to these pins to drive the internal oscillator reference. This input can be used as the reference for PLL1 and/or the Reference Clock Output.
OUT1_p OUT1_n	2 3	Clock Output 1	OUTPUT Selectable ¹	Clock Output derived from PLL1. Supports frequencies up to the device maximum. When used in LVCMOS mode, OUT1_p is the active pin and OUT1_n is not used and is High-Z.

Table 1 - Pin Description

Pin Name	48 QFN Pin #	Name	Type	Description
OE1	15	Output Enable 1	INPUT LVCMOS	Output Enable for Clock Output 1. Active High, When the output is disabled, it places OUT1_p & OUT1_n into High-Z state. This pin is internally pulled-up to VDD through 75 kohms.
OUT2_p OUT2_n	7 8	Clock Output 2	OUTPUT Selectable ¹	Clock Output derived from PLL1. Supports frequencies up to the device maximum. When used in LVCMOS mode, OUT2_p is the active pin. OUT2_n is not used and is High-Z.
OE2	16	Output Enable 2	INPUT LVCMOS	Output Enable for Clock Output 2. Active High, When the output is disabled, it places OUT2_p & OUT2_n into High-Z state. This pin is internally pulled-up to VDD through 75 kohms.
RefOut_p RefOut_n	44 43	Reference Output	OUTPUT Selectable ¹	Reference Clock Output. Provides a copy of the Reference Input (or Crystal input) frequency.
OEREF	11	Output Enable for REFOUT	INPUT LVCMOS	Output Enable for Reference Output. Active High. When the output is disabled, it places RefOut_p & RefOut_n into High-Z state. This pin is internally pulled-up to VDD through 50 kohms.
SCK	19	Serial Clock	INPUT LVCMOS	Clock Input for SPI control.
SDI	20	Serial Data In	INPUT LVCMOS	Data Input for SPI control.
SDO	17	Serial Data Out	OUTPUT LVCMOS	Data Output for SPI control.
CSB	18	Chip Select	INPUT LVCMOS	Chip Select for SPI control. This pin also functions as a programming pin for the internal fuses. If this pin is held above 3.3 V, then the device will accept SPI commands to program internal fuses. This pin is internally pulled-up to VDD through 75 kohms.
FILTER1+ FILTER1-	13 14	PLL1 Filter	Analog	CP external Filter capacitor input and return for PLL1
PD1_b	26	Power Down 1 (Inverted)	INPUT LVCMOS	Active Low Power Down pin for PLL1. When active, PLL1 enters power down state; all outputs from PLL1 are disabled, High-Z. This pin is internally pulled-down to VSS through 50 kohms.

Table 1 - Pin Description

Pin Name	48 QFN Pin #	Name	Type	Description
VDD	47	Core Power	SUPPLY +Power	2.5 V or 3.3 V Power Supply for device core.
VSS	10, 36	Device GND	-Power	Device GND
VDDA1 VDDA2 VDDA3 VDDA4 VDDA5 VDDA6	5 12 25 31 37 48	Analog Power	SUPPLY +Power	2.5 V or 3.3 V Analog Power Supply
VDDO1 VDDO2	4 6	Clock Output Power Supply	SUPPLY +Power	Respective Power Supply pins for individual Clock Outputs.
VSSO1 VSSO2	1 9	Clock Output GND's	-Power	Return path GND pins for respective Clock Outputs
NC	21, 22, 23, 24, 27, 28, 29, 30, 32, 33, 34, 35, 45, 46	No connection	NC	Leave unconnected

Table 1 - Pin Description

¹Selectable Pins can be programmed to support LVCMOS, LVDS, LVPECL or HCSSL.

3.0 Description

The ZL30241 is a single PLL clock generator with two programmable outputs. The PLL with either a crystal, crystal oscillator or external reference input frequency, produce up to two related output frequencies. Each output can select between LVCMOS, LVDS, LVPECL, and HCSL. The input crystal is a low cost fundamental mode type, and the ZL30241 provides programmable gain and load capacitors for the crystal inputs. Alternatively, a multi-standard input reference can be used with a dedicated divider. The crystal or external reference is also available as an output bypassing the PLL for test purposes.

For the PLL, three modes of operation can be selected: integer mode, fractional mode, and ratio mode. The integer mode provides lowest noise and behaves like a conventional PLL with whole number dividers. The device will get integer mode performance even with 3 fractional bits in use allowing eights in the feedback divider without increasing the jitter.

The fractional mode allows the feedback divider to have an 8 bit integer part and 28 bit fractional part, resulting in a frequency resolution of 0.1 ppb or better. Finally, the ratio mode offers frequency translation of an $N + X/Y$ nature, ideal for frequency translation applications like SONET and OTN.

The PLL has a VCO that operates between 3053 MHz and 3677 MHz. There are two output dividers on the PLL, with a range of 4 to 259. In order to prevent a “frequency hole” between 750.6 MHz and 777.5 MHz, a special divide by 4.5 mode is also included. Any output frequency between 12 MHz and 914 MHz can be produced on the differential output.

Additional features include loss of lock indicators and high speed SPI control. The ZL30241 has factory programmed defaults and may also be configured through the SPI port.

3.1 Input Configuration

The In_p/In_n pins can take one of four modes.

Refmode [1:0]	Mode
00	LVCMOS
01	LVDS
10	LVPECL
11	HCSL

Table 2 - Input modes

For LVCMOS mode, the external components are shown in Figure 2..

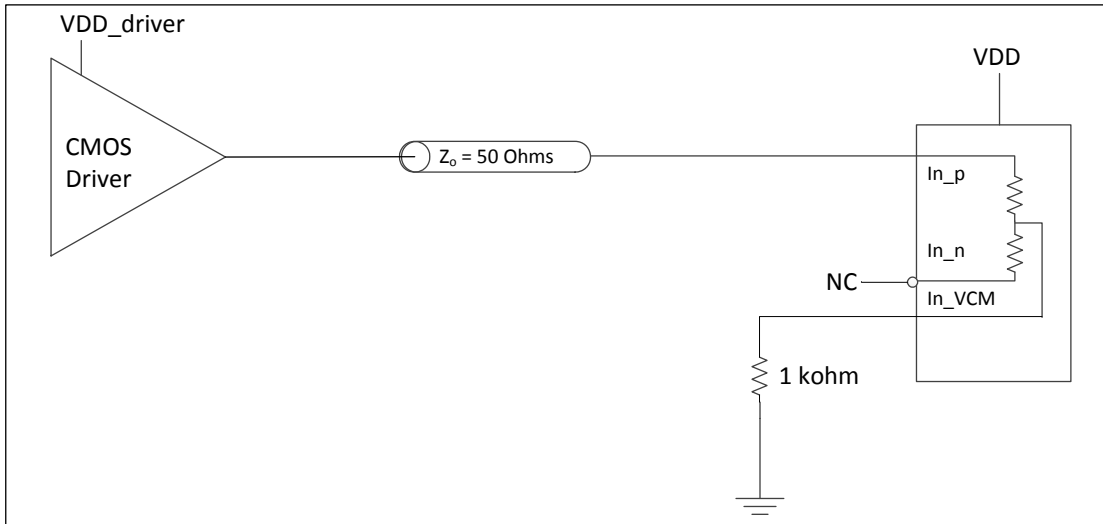


Figure 2 - Input Termination - LVCMOS

For LVDS mode, the external components are shown in Figure 3.

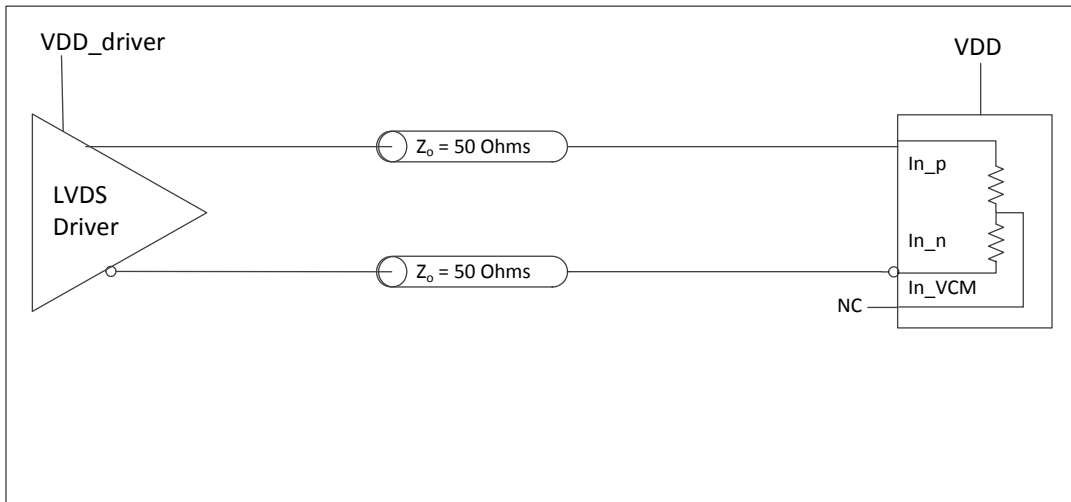


Figure 3 - Input Termination - LVDS

For LVPECL mode, the external components are shown in Figure 4 for AC coupled and Figure 5 for DC coupled.

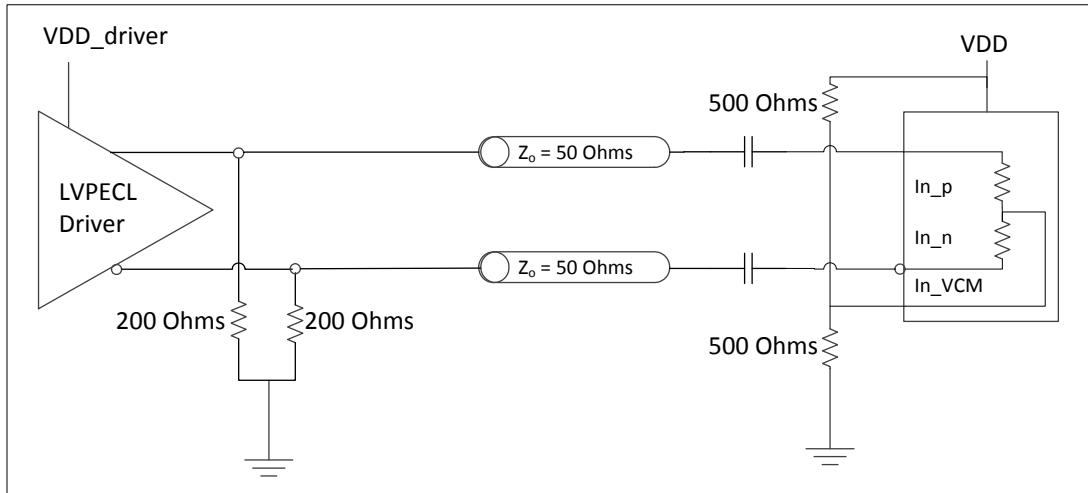


Figure 4 - Input Termination - LVPECL AC coupled

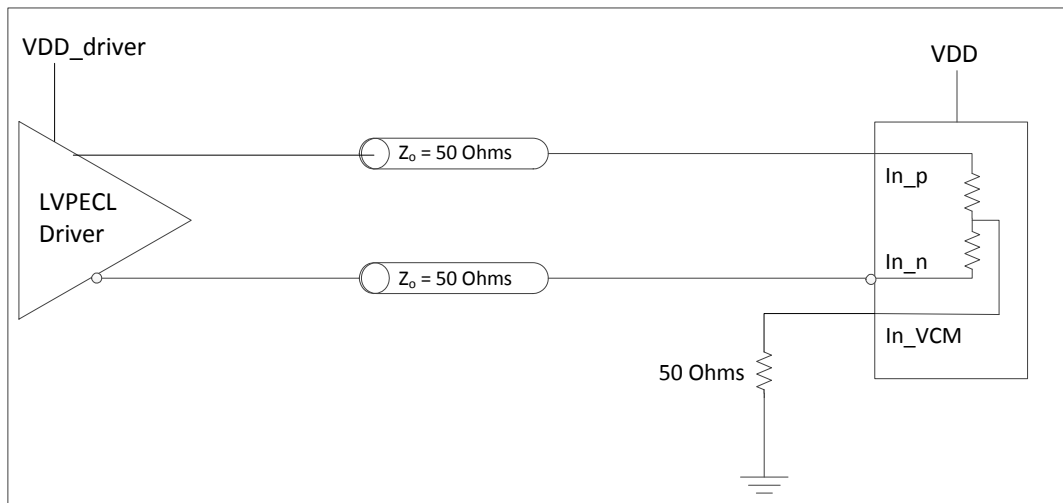


Figure 5 - Input Termination - LVPECL DC coupled

For HCSL mode, the external components are shown in Figure 6.

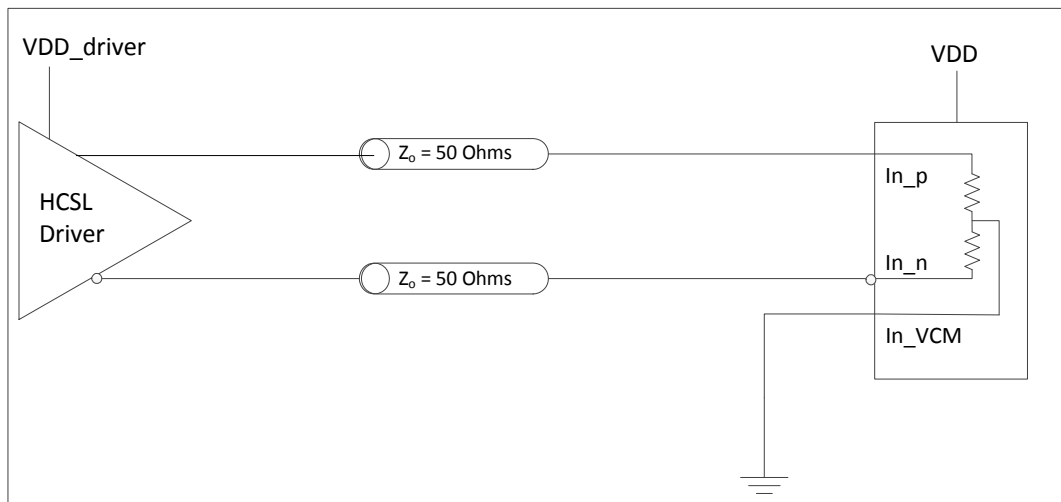


Figure 6 - Input Termination - HCSL

3.2 Output Configuration

There are three separate output buffers on the ZL30241. The PLL has two outputs and the input frequency can also bypass the PLL to a additional output buffer. The three buffers can be configured for LVCMOS, LVDS, LVPECL or HCSL. Each output has an output enable pin (OE), and each output may be enabled or disabled from this pin or a bit in the register set. For each output, the modes are defined in Table 3.

Out n Mode [1:0]	Mode
00	LVCMOS
01	LVDS
10	LVPECL
11	HCSL

Table 3 - Output modes

Each output is by default enabled or disabled by a logical AND of the OEn hardware pin value accessible in register 2 and the SPI bit. The logical behavior of all relevant bits are shown in Figure 7.

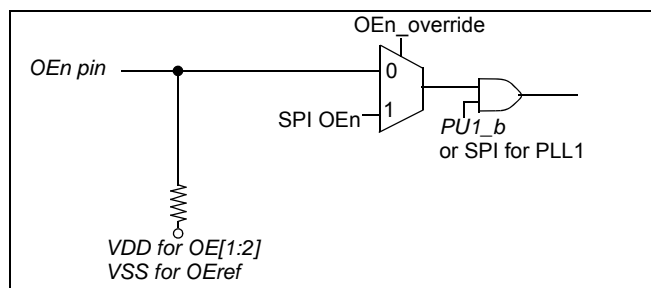


Figure 7 - Output Enable/Disable

3.2.1 Output Control Pins

The outputs are controlled by either a hardware OE pin or a OE register based on the value in the override bit in the register. The default values of the override bits are zero, so the hardware pins controls the outputs. When the hardware pin is enabled, the OEn SPI bit is read-only showing the current state of the realted hardware pin.

The OE1 and OE2 pins have 75 k Ω pull-up resistors, while the OERef pin has a 50 k Ω pull-down resistor.

To disable the hardware pin control, the associated override bit can be set in SPI register 0x2. When the 'override' bit is set to '1', the external OE pin is ignored, and its value is no longer passed into register 0x2. Instead the value of the OEn bit in register 0x2 is used in its place, and can be set through the SPI. Under this configuration, both the override bit and OEn bit in register 0x2 must be set to '1' to enable the output.

When an output changes from disabled to enabled, there is an approximately 2 microsecond delay before it begins switching. During this delay, the outputs will settle to the appropriate DC levels according to the configured mode. After this initial delay, the outputs will begin switching with precise periods and no 'runt' pulses.

When an output changes from enabled to disabled, it will stop switching at the appropriate DC levels according to the configured mode. After it has stopped, the biases will be disabled and the output will be set to high impedance.

3.2.2 Output Electrical Format - (LVCMOS, LVDS, LVPECL, or HCSL)

The output format (mode) may be factory programmed and the output will operate in that mode at every power-up. In addition, the mode may be changed by writing the new value into register 0x4 via the SPI. Although all three output buffers are independent, the enables and modes may be programmed simultaneously.

Note that all of the output modes are differential except the LVCMOS mode. When LVCMOS is selected, the positive output pin has the LVCMOS signal, and the negative (inverting) output pin is high impedance. In LVCMOS mode, the output should be series terminated, or unterminated. Series termination consists of a 33 ohm resistor placed within 0.25 inches of the ZL30241 package to absorb the reflections in the driven 50 ohm transmission line. Differential output modes are highly recommended to preserve the high performance of the ZL30241, and also to reduce noise pickup and generation.

3.3 Reference Input

Two input references are available for the PLL: a crystal oscillator which accepts fundamental crystals from 22 MHz to 54 MHz and an external reference that may be supplied as a differential or single ended signal. Likewise, either reference may be selected for an optional output buffer that supports LVCMOS, LVDS, LVPECL or HCSL.

Register 0x2 contains the reference select control bits. Register 0x3 contains the configuration bits for the input reference buffer, prescaler, and reference output.

Three device pins are associated with the input signal: In_p, In_n and In_VCM. For differential signals, In_p and In_n are the signal and In_VCM is the terminating voltage. A LVCMOS single ended signal needs to be applied to In_p. The input signal is applied to a reference divider before being used by the PLL..

Note that the noise properties of the PLL reference matter a great deal to the output noise. At offset frequencies below the PLL loop bandwidth, the PLL tracks and multiplies the reference phase noise. The crystal input offers a very low phase noise reference, ensuring the output phase noise near the carrier is low. When selecting the input reference, ensure the phase noise of the source is adequately low to meet the system noise requirements.

The reference divider is programmed via the refdiv[3:0] value in register 3; it divides by N+1 for a range of 1 to 16.

The In_p/In_n pins will accept LVCMOS, LVDS, LVPECL or HCSL signals. The register 0x3 bit 17, diff_ref_sel must be set to 0 to select LVCMOS, and 1 for any differential signal. When LVCMOS is selected, it is applied to REFIN (pin 42). When a LVCMOS signal is used, it must be applied to In_p.

diff_ref_sel	Reference_signal
0	LVC MOS
1	differential (LVDS, LVPECL or HCSL)

Table 4 - Reference Input (In_p/In_n) Selection

The RefOut_p/RefOut_n pins may be used to buffer the prescaled input signal or crystal oscillator. Like the other outputs, it may be set to LVPECL, LVDS, HCSL, or LVC MOS formats. Register 0x3, bit 19, is the refmux_sel, which determines if the reference input signal or the crystal oscillator is provided on RefOut_p/RefOut_n.

3.4 Crystal Oscillator

The quartz crystal input (XO1/XO2) accept standard 8-12pf AT cut crystals from 22 MHz to 54 MHz. Since the negative resistance required for such a spread of crystals varies considerably, a programmable gain is provided in 7 steps. Microsemi recommends a gain of 5 or above to help ensure start-up in all conditions. To aid in trimming the crystal, programmable on-chip load capacitors are available. In general, for lowest phase noise, the highest frequency crystal, compatible with the applications cost and other requirements, should be used. If integer modes of PLL operation are possible, the crystal should be selected so that the multiplication is an integer value for lowest noise.

The gain of the crystal oscillator is set via 3 bits. Register 0x4, bit 15 is xtal_ftrim; set this bit if the crystal is 33 MHz or lower. Xtal_gain[2:0] are found in register 0x4, bits 10:8. The values in this register depend on the crystal load caps, ESR, and frequency value. Recommendations are given below. The xtal_gain should be the minimum value that insures startup at maximum temperature for the maximum ESR value of the crystal.

Crystal Frequency (MHz)	ESR=25	ESR=35	ESR=45	xtal=ftrim
22	0	1	3	1
27	1	2	4	1
33	2	3	5	1
34	1	2	3	0
39	2	3	4	0
44	3	4	5	0
49	4	5	6	0
54	5	6	7	0

Table 5 - Xtal_gain[3:0] Values

Crystal load capacitors should be on the PCB and the on-chip load capacitors can then be used to trim for component variation. Register 0x4, bits 14:12, xtal_cap[2:0] set the on-chip load capacitance. The value in xtal_cap can then be used to optimize the load. It is also acceptable to set xtal_cap to 0, and trim the crystal load with the PCB capacitors only.

3.5 PLLs

The PLL in the ZL30241 consists of an input reference frequency, a phase/frequency detector, loop filter, VCO, feedback divider, and two output dividers. The feedback divider can operate in three distinct modes: integer, fractional and ratio.

- The integer mode behaves like a traditional integer value PLL, where the feedback divisor is an integer. Due to the internal structure of this PLL, values divisible for 1/8 will give the same high performance as integer values.
- The fractional mode allows the feedback divider to take on a value of the form Qm.n, where m (the integer part) is 8 bits and n (the fractional part) is 28 bits.
- The ratio mode would typically be used for FEC (Forward Error Correction) rate translation. The feedback divider will take on values of the form $A + (1/8)(B + C/D)$. In this mode, the C and D have 16 bit resolution.

For all modes, the relation of the input frequency (f_{in}), output frequency (f_{out}), feedback divider ($fbdiv$) and output divider ($outdiv$) is:

$$f_{out} = \frac{fbdiv \times f_{in}}{outdiv}$$

The VCO frequency is ($f_{out} \times outdiv$).

3.5.1 Integer Mode

Integer mode will provide the lowest possible phase noise. To operate in this mode, set S=0 in register 0x7. The integer part of the feedback value is placed in $divval[35:28]$ in register 0x6. Since the integer mode can take multiples of 1/8 without a degradation in phase noise, three more fractional bits may be programmed in $divval[27:25]$, and still operate with high integer-like performance without adding modulator noise (M=0). In Q notation, Q8.3 numbers may be entered in $divval[35:25]$ in integer mode. The remainder of the bits in $divval$ should be set to 0.

3.5.2 Fractional Mode

The fractional mode allows Q8.28 numbers to be placed in $divval$. In fractional mode, M must be set to 2 or the PLL will ignore the lower 25 fractional bits. S should be set to 0 to use all fractional mode bits in this mode.

3.5.3 Ratio Mode

The ratio mode is needed when frequency translation is required. This mode is triggered by setting the `rational_mode` bit to 1 in register 0x7 (bit 10) and setting M=2. It is recommended that S=0 in this mode.

The format of the feedback divider equation will change depending on the value of S. With the recommended S value of 0, it will have the form of $A + (1/8)(B + C/D)$. A is put in $divval[35:28]$ while B is placed in $divval[27:25]$. C is placed in $divval[24:9]$ and the $modulus[15:0]$ bits hold D. B may be 0 to 7. C and D are 16 bit values, where D must be greater than C.

Note that the modulus value is split with $modulus[15:6]$ and $modulus[5:0]$ which are found in different registers. $modulus[5:0]$ is in register 0x6 (bits 9:4) and $modulus[15:6]$ in register 0x7 (bits 9:0).

Other values of S will product the feedback divider values in Table 6.

Value of S	Divider Value
0	$A + (1/8)(B + C/D)$
1	$A + (1/4)(B + C/D)$
2	$A + (1/2)(B + C/D)$
3	$A + C/D$

Table 6 - Interpretation of S Parameter in Ratio Mode

3.6 Output Dividers

The VCO output is divided down to the required output frequency; there is one divider per output. The output dividers are found in register 5.

As a special case, for frequencies between 750 MHz and 778 MHz which cannot be accessed with divider of 4 or 5, a divider of 4.5 is provided. To divide by 4.5, set the `outn_4p5`. When this bit is set, the associated output divider will ignore the value in register 5 and divide by 4.5.

In any case that the change to the feedback divider is small, i.e., a change in phase or a few ppm in frequency, the output frequencies will change smoothly with no sudden phase step. The change in the feedback divider will be instantaneous, but the VCO response will be smoothed by the loop filter. Thus any changes small enough not to cause lock disturbance will be smooth and continuous.

3.7 Status Indicators

The lock status of the PLL may be monitored via the `pll_x_lock` bit in register 15, bit 21. A value of "1" indicates lock, and is the normal condition. A 0 indicates out of lock, or the absence of a reference (either input signal or crystal).

3.8 Resets

The ZL30241 does not need a reset after power is applied, but some other configuration changes require a reset of the associated subsystem in the device. If the feedback divisor (`fbdiv`), `M`, or `S` value is changed in a PLL, then the corresponding `fbdiv_resetn` (register 0x7 bit 14) bit needs to be toggled. If the output divisor (register 0x5) value is changed, `output1_2_reset` (register 0x7, bit 13) needs to be toggled.

4.0 SPI Programming

At power up, the ZL30241 takes on the values programmed by the factory. Thereafter, the SPI may be used to overwrite any value. Care should be taken not to overwrite the factory-programmed calibrations (registers 10 through 14). The maximum SPI clock rate is 10 MHz. All transfers are multiples of 8-bit bytes, and are read and written with most significant byte first, and most significant bit first.

Serial Peripheral Interface Description

1. SCK is the clock input to the SPI interface.
2. SDI is the data input to the SPI interface. Data must be valid by the rising edge of SCK.
3. SDO is the data output from the SPI interface. Data at SDO will be valid 12 ns after the rising edge of the clock.
4. CSB is the active-low enable signal for the SPI. The rising edge of CSB disables the SPI controller on the slave device. In the disabled state, the SPI controller will not respond to events on SCK or SDI, and SDO is in a high-impedance state. The falling edge of CSB enables the SPI for read/write access, and resets it to the initial state (awaiting the control/address byte). Register contents are not reset or otherwise altered by cycling CSB.
5. Multiple SPI slave devices may communicate with the same SPI master by sharing SDO, SDI, and SCK, and addressing each device with its individual CSB signal.
6. Upon power-up, all SPI read/write register contents are set to default values. For those registers associated with fuse addresses, the state of the fuse determines the default value.
7. The SPI master initiates a data transfer by dropping CSB to enable the slave device, followed by eight bits of data applied synchronously with eight pulses of SCK. The first four bits define the opcode, and the last four bits define the register to be addressed. The data stream is shown in the following diagram:

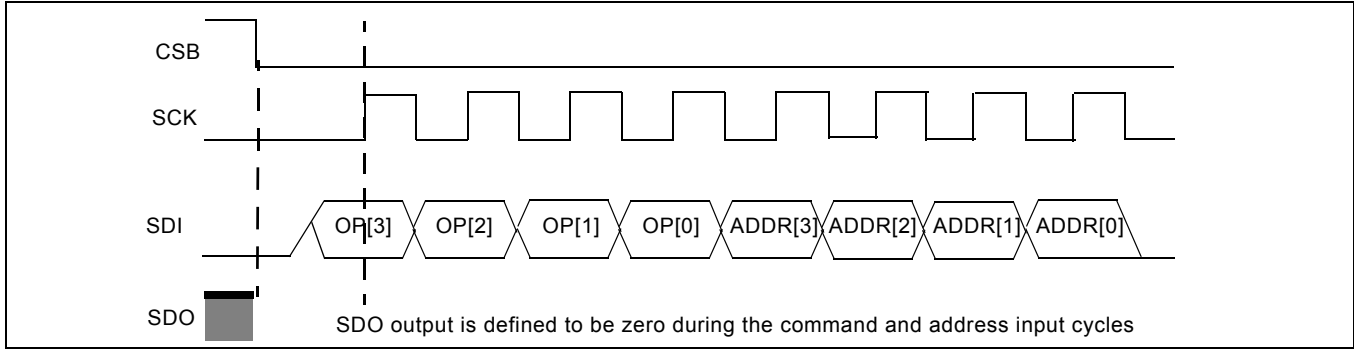


Figure 8 - Example SPI Read

The register addresses ADDR[3:0] define an address space for up to 16 registers. The opcode OP[3:0] is not fully utilized in this implementation. The following four opcodes are defined by the interface:

OP[3:0]	Operation
0000	no-op
0001	write data
0010	read data
0011	reserved

Table 7 - SPI Operation Codes

The default state for CSB high is opcode zero, or no-op. The “read” opcodes are followed by one or more series of eight SCK pulses. Data from the register addressed by ADDR are placed on SDO, msb first. The number of eight-pulse cycles is determined by the type of register defined at address ADDR. The “write” opcodes are followed by one or more series of eight SCK pulses, with data to be written to the addressed register placed on SDI and valid at the rising edge of SCK.

The core circuits of the chip see the new contents of each byte on the falling edge of the eighth SCK pulse, with the exception of registers 6 and 8, all bits of which are updated simultaneously on the falling edge of the eighth SCK pulse of the last (5th) byte.

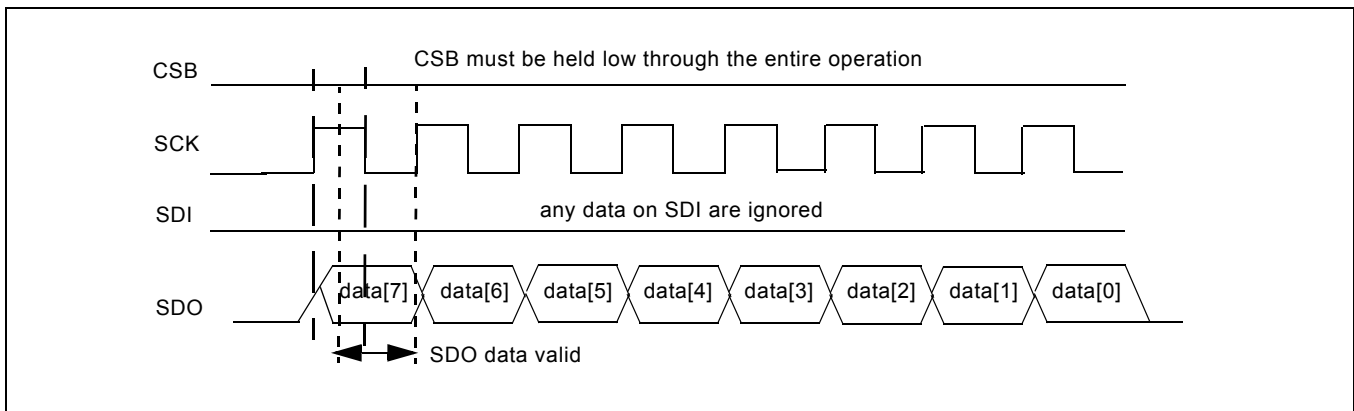


Figure 9 - Read (opcode 2) cycle

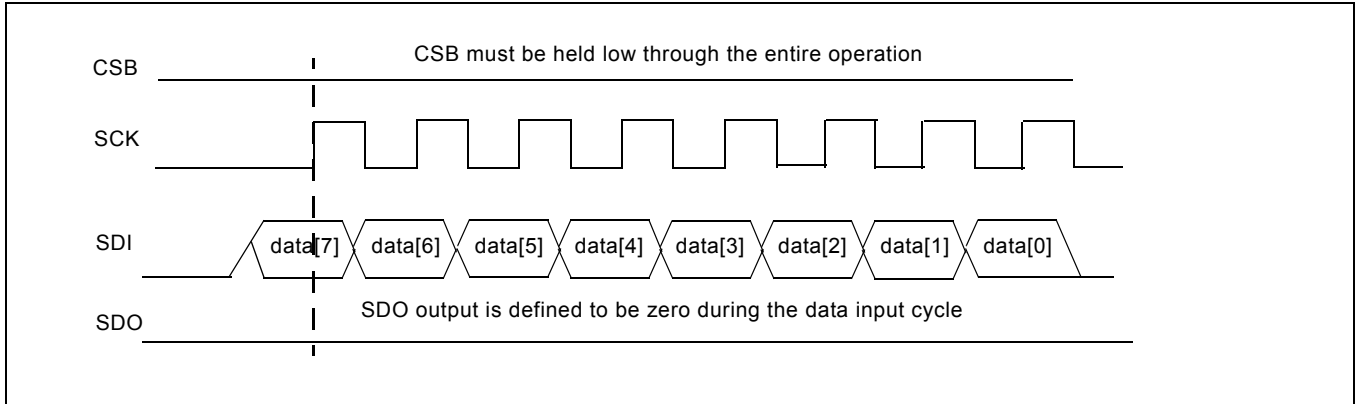


Figure 10 - Write (opcode 1) cycle

5.0 Register Map

The device is controlled by accessing registers through the SPI interface.

Reg_Addr (Hex)	Size (Bytes)	Register Name	Default Value (Hex)	Description	Type
Miscellaneous Registers					
0x0	4	Chip_id	0x13100000	Chip Identification	R
0x1	6	Product_id	0x7AF000000000	Product Identification	R
0x2	3	Device_Config1	0x00AA0A	External pin read back and override	R/W
0x3	4	Device_Config2	0x100F0000	Reference buffer/divider, interpolated value increment, and miscellaneous	R/W
0x4	2	Buffer_config	0x0000	Input and output buffer configuration	R/W
0x5	4	Output_divider	0x00000000	Control the value of the output dividers	R/W
0x6	5	PLL1_config1	0x000000000E	Control the value of the feed- back divider in PLL1	R/W
0x7	5	PLL1_config2	0x0000000000	Control PLL1 parameters	R/W
0x8	5	Reserved	-	Reserved	-
0x9	5	Reserved	-	Reserved	-
0xA	2	Reserved	-	Reserved	-
0xB	4	Reserved	-	Reserved	-
0xC	4	PLL1 band	0x00000000	Control the PLL1 band	R/W
0xD	4	Reserved	-	Reserved	-
0xE	4	Reserved	-	Reserved	-
0xF	3	PLL_lock	0x060000	Determine if either PLL is locked	R

Table 8 - Register Map

6.0 Detailed Register Map

Register_Address: 0x0 Register Name: Chip_id Default Value: 0x13100000 Type: R		
Bit Field	Function Name	Description
31:16	Chip_id[15:0]	For ZL30241, chip_id = 0x1310
15:0	Reserved	Leave as default

Register_Address: 0x1 Register Name: Product_id Default Value: 0x7AF000000000 Type: R		
Bit Field	Function Name	Description
31:0	Product_id[31:0]	Common value for all ZL3024x products

Register_Address: 0x2 Register Name: Device_config1 Default Value: 0x00AA0A Type: R/W		
Bit Field	Function Name	Description
23:20	Reserved	Leave as default
19	Reserved	Leave as default
18	Reserved	Leave as default
17	OERef	Output enable for the reference output
16	OERef_override	If this bit is 0, the reference output is controlled by the OERef pin. If this bit is 1, the reference output is controlled by bit 17.
15	Reserved	Leave as default
14	Reserved	Leave as default
13	Reserved	Leave as default
12	Reserved	Leave as default

Register_Address: 0x2 Register Name: Device_config1 Default Value: 0x00AA0A Type: R/W		
Bit Field	Function Name	Description
11	OE2	Output 2 enable
10	OE2_override	If this bit is 0, output 2 is controlled by the OE2 pin. If this bit is 1, output 2 is controlled by bit 11.
9	OE1	Output 1 enable
8	OE1_override	If this bit is 0, output 1 is controlled by the OE1 pin. If this bit is 1, output 1 is controlled by bit 9.
7	Reserved	Leave as default
6	Reserved	Leave as default
5	Refsel1	Control of PLL1 reference selection multiplexer Selection: 0 - The input for PLL1 is XO1/XO2. 1 - The input for PLL1 is In_p/In_n
4	Reserved	Leave as default (set to 1)
3	Reserved	Leave as default
2	Reserved	Leave as default
1	PU1	Power up PLL1
0	Reserved	Leave as default (set to 1)

Register_Address: 0x3 Register Name: Device_config2 Default Value: 0x100F0000 Type: R/W		
Bit Field	Function Name	Description
31:30	Refmode[1:0]	Determine the mode of the reference output (RefOut_p/RefOut_n) Selection: 0b11 -HCSL (differential) 0b10 -LVPECL (differential) 0b01 -LVDS (differential) 0b00 -LVCMOS (single ended) - default
29:28	Reserved	Leave as default (en_refdiv = 1, en_act_det= 1)

Register_Address: 0x3 Register Name: Device_config2 Default Value: 0x100F0000 Type: R/W		
Bit Field	Function Name	Description
27	refmux_sel	Reference Multiplexer: Selection: 0 - Reference output from Crystal Input 1 (XO1/XO2) 1 - Reference output from In_p/In_n
26	xtal_enable	Enables the XO1/XO2 crystal input 1 function
25	diff_ref_sel	Sets the mode for In_p/In_n Selection: 0 - CMOS (singled ended) - Input signal on In_p Note: In_n should not be connected 1 - Differential - Input signal on In_p/In_n pair
24	Reserved	Leave as default
23:20	Ref_div[3:0]	Reference divider is (bits[23:20] + 1) Range: 1 (0x0) to 16 (0xF)
19	Reserved	Leave as default (Set to 1)
18	Reserved	Leave as default (Set to 1)
17	Reserved	Leave as default (Set to 1)
16	Reserved	Leave as default (Set to 1)
15:12	Reserved	Leave as default
11	Reserved	Leave as default
10	Reserved	Leave as default
9	out2_4p5 mode	When this bit is 1, an output divisor of 4.5 is selected for output 2
8	out1_4p5 mode	When this bit is 1, an output divisor of 4.5 is selected for output 1
7:0	Reserved	Leave as default

Register_Address: 0x4 Register Name: Buffer_configure Default Value: 0x0000 Type: R/W		
Bit Field	Function Name	Description
15	xtal_ftrim	Set based on crystal frequency Set bit to 1 if crystal is below 33 MHz, otherwise set to 0.
14:12	xtal_cap[2:0]	The crystal I/O pins have an internal load capacitance according to the equation $(10 + 2 * \text{xtal_cap})$ pF. The 3-bit value ranges from 0 to 7, so the minimum capacitive load is 10 pF, and the maximum is 24 pF.
11	Reserved	Leave as default
10:8	xtal_gain[3:0]	Sets the gain in the crystal input 1 (XO1/XO2) amplifier. The application note has suggested values for this parameter based on the crystal's equivalent series resistance (ESR) and nominal frequency.
7:6	Reserved	Leave as default
5:4	Reserved	Leave as default
3:2	Out2mode[1:0]	Mode for output 2 Selection: 0b11 -HCSL (differential) 0b10 -LVPECL (differential) 0b01 -LVDS (differential) 0b00 -LVCMOS (single ended)
1:0	Out1mode[1:0]	Mode for output 1- See description for bits 7:6

Register_Address: 0x5 Register Name: Output_divider Default Value: 0x00000000 Type: R/W		
Bit Field	Function Name	Description
31:24	Reserved	Leave as default
23:16	Reserved	Leave as default

Register_Address: 0x5 Register Name: Output_divider Default Value: 0x00000000 Type: R/W												
Bit Field	Function Name	Description										
15:8	output2_div[7:0]	<p>Output divider 2 can be set to 4 to 259</p> <p>For values 4 to 255, the output divider is set to the value of bits 15:8.</p> <p>For values 0 to 3:</p> <table> <tr> <td>Value</td> <td>output2_div</td> </tr> <tr> <td>0</td> <td>256</td> </tr> <tr> <td>1</td> <td>257</td> </tr> <tr> <td>2</td> <td>258</td> </tr> <tr> <td>3</td> <td>259</td> </tr> </table> <p>For the output4_div = 4.5, see register 3, Device_config2, bit 9.</p>	Value	output2_div	0	256	1	257	2	258	3	259
Value	output2_div											
0	256											
1	257											
2	258											
3	259											
7:0	output1_div[7:0]	<p>Output divider 1 can be set to 4 to 259</p> <p>For values 4 to 255, the output divider is set to the value of bits 7:0.</p> <p>For values 0 to 3:</p> <table> <tr> <td>Value</td> <td>output1_div</td> </tr> <tr> <td>0</td> <td>256</td> </tr> <tr> <td>1</td> <td>257</td> </tr> <tr> <td>2</td> <td>258</td> </tr> <tr> <td>3</td> <td>259</td> </tr> </table> <p>For the output4_div = 4.5, see register 3, Device_config2, bit 8.</p>	Value	output1_div	0	256	1	257	2	258	3	259
Value	output1_div											
0	256											
1	257											
2	258											
3	259											

Register_Address: 0x6 Register Name: PLL1_config1 Default Value: 0x0000000000 Type: R/W		
Bit Field	Function Name	Description
39:4	divval[35:0]	<p>Feedback Divider Value</p> <p>If rational1 = 0, the divider value for PLL1 uses bits [40:5] for the feedback divider. The top 8 bits represent the integer part and the bottom 28 bits represent the fixed-point part of the divider.</p> <p>if rational = 1, then the S (see Register 7) controls the interpretation of the feedback value:</p> <p>If S=0, $fbdiv = A + (1/8)(B+C/D)$ where A is in divval[35:28], B is in divval[27:25], C is in divval [24:9] and D is in modulus[15:0].</p> <p>If S=1, $fbdiv = A + (1/4)(B+C/D)$ where A is in divval[35:28], B is in divval[27:26], C is in divval [24:9] and D is in modulus[15:0].</p> <p>If S=2, $fbdiv = A + (1/2)(B+C/D)$ where A is in divval[35:28], B is in divval[27], C is in divval[24:9] and D is in modulus[15:0].</p> <p>If S=3, $fbdiv = A + C/D$ where A is in divval[35:28], C is in divval[24:9] and D is in modulus[15:0]. (B is ignored.)</p> <p>Note: Modulus [15:6] is found in register 0x7, bit 9:0 and Modulus [5:0] is in divval[5:0] when using rational mode.</p>
3:0	Reserved	Leave as default

Register_Address: 0x7 Register Name: PLL1_config2 Default Value: 0x0000000000 Type: R/W		
Bit Field	Function Name	Description
39:37	N1[2:0]	Reserved - Leave as default
36:32	dscale1[4:0]	Reserved - Leave as default
31:29	M1[2:0]	PLL1 MASH order (value 0 - 4)

Register_Address: 0x7 Register Name: PLL1_config2 Default Value: 0x0000000000 Type: R/W																																																																																																																						
Bit Field	Function Name	Description																																																																																																																				
28:24	fsel1[4:0]	VCO frequency band selection Selection: <table border="1"> <thead> <tr> <th>Value</th> <th>minimum</th> <th>nominal</th> <th>maximum</th> </tr> </thead> <tbody> <tr><td>0</td><td>3642</td><td>3654</td><td>3677</td></tr> <tr><td>1</td><td>3615</td><td>3623</td><td>3642</td></tr> <tr><td>2</td><td>3583</td><td>3597</td><td>3615</td></tr> <tr><td>3</td><td>3556</td><td>3568</td><td>3583</td></tr> <tr><td>4</td><td>3532</td><td>3542</td><td>3556</td></tr> <tr><td>5</td><td>3509</td><td>3518</td><td>3532</td></tr> <tr><td>6</td><td>3486</td><td>3496</td><td>3509</td></tr> <tr><td>7</td><td>3463</td><td>3473</td><td>3486</td></tr> <tr><td>8</td><td>3440</td><td>3450</td><td>3463</td></tr> <tr><td>9</td><td>3416</td><td>3426</td><td>3440</td></tr> <tr><td>10</td><td>3391</td><td>3402</td><td>3416</td></tr> <tr><td>11</td><td>3375</td><td>3382</td><td>3391</td></tr> <tr><td>12</td><td>3360</td><td>3366</td><td>3375</td></tr> <tr><td>13</td><td>3345</td><td>3350</td><td>3360</td></tr> <tr><td>14</td><td>3307</td><td>3322</td><td>3345</td></tr> <tr><td>15</td><td>3290</td><td>3298</td><td>3307</td></tr> <tr><td>16</td><td>3268</td><td>3278</td><td>3290</td></tr> <tr><td>17</td><td>3249</td><td>3256</td><td>3268</td></tr> <tr><td>18</td><td>3228</td><td>3237</td><td>3249</td></tr> <tr><td>19</td><td>3209</td><td>3217</td><td>3228</td></tr> <tr><td>20</td><td>3189</td><td>3198</td><td>3209</td></tr> <tr><td>21</td><td>3171</td><td>3179</td><td>3189</td></tr> <tr><td>22</td><td>3154</td><td>3161</td><td>3171</td></tr> <tr><td>23</td><td>3135</td><td>3143</td><td>3154</td></tr> <tr><td>24</td><td>3119</td><td>3126</td><td>3135</td></tr> <tr><td>25</td><td>3100</td><td>3108</td><td>3119</td></tr> <tr><td>26</td><td>3084</td><td>3091</td><td>3100</td></tr> <tr><td>27</td><td>3053</td><td>3072</td><td>3084</td></tr> </tbody> </table> <p>Note: For fsel1 of 0 to 13, KVCO must be set to 0. For fsel1 values of 14- 27, KVCO must be set to 1. Fsel1 can be found in register 0xC.</p>	Value	minimum	nominal	maximum	0	3642	3654	3677	1	3615	3623	3642	2	3583	3597	3615	3	3556	3568	3583	4	3532	3542	3556	5	3509	3518	3532	6	3486	3496	3509	7	3463	3473	3486	8	3440	3450	3463	9	3416	3426	3440	10	3391	3402	3416	11	3375	3382	3391	12	3360	3366	3375	13	3345	3350	3360	14	3307	3322	3345	15	3290	3298	3307	16	3268	3278	3290	17	3249	3256	3268	18	3228	3237	3249	19	3209	3217	3228	20	3189	3198	3209	21	3171	3179	3189	22	3154	3161	3171	23	3135	3143	3154	24	3119	3126	3135	25	3100	3108	3119	26	3084	3091	3100	27	3053	3072	3084
Value	minimum	nominal	maximum																																																																																																																			
0	3642	3654	3677																																																																																																																			
1	3615	3623	3642																																																																																																																			
2	3583	3597	3615																																																																																																																			
3	3556	3568	3583																																																																																																																			
4	3532	3542	3556																																																																																																																			
5	3509	3518	3532																																																																																																																			
6	3486	3496	3509																																																																																																																			
7	3463	3473	3486																																																																																																																			
8	3440	3450	3463																																																																																																																			
9	3416	3426	3440																																																																																																																			
10	3391	3402	3416																																																																																																																			
11	3375	3382	3391																																																																																																																			
12	3360	3366	3375																																																																																																																			
13	3345	3350	3360																																																																																																																			
14	3307	3322	3345																																																																																																																			
15	3290	3298	3307																																																																																																																			
16	3268	3278	3290																																																																																																																			
17	3249	3256	3268																																																																																																																			
18	3228	3237	3249																																																																																																																			
19	3209	3217	3228																																																																																																																			
20	3189	3198	3209																																																																																																																			
21	3171	3179	3189																																																																																																																			
22	3154	3161	3171																																																																																																																			
23	3135	3143	3154																																																																																																																			
24	3119	3126	3135																																																																																																																			
25	3100	3108	3119																																																																																																																			
26	3084	3091	3100																																																																																																																			
27	3053	3072	3084																																																																																																																			
23	Reserved	Leave as default																																																																																																																				
22:21	S1[1:0]	See description for PLL1_configure_1 bits 39:4																																																																																																																				
20:16	Reserved	Leave as default																																																																																																																				
15	advance1	Reserved																																																																																																																				
14	fbdiv_reset1	Toggle this bit to 1 after a change in M1 or divval1																																																																																																																				
13	output1_2_reset	Toggle this bit to 1 to reset the outputs on PLL1																																																																																																																				

Register_Address: 0x7 Register Name: PLL1_config2 Default Value: 0x0000000000 Type: R/W		
Bit Field	Function Name	Description
12	force_reset1	Toggle this bit to 1 to reset PLL1 This signal forces a reset cycle that generates synchronization pulses for the outputs of PLL1.
11	decline1	Reserved
10	rational_mode1	See description for PLL1_configure_1 bits 39:4
9:0	modulus1[15:6]	See description for PLL1_configure_1 bits 39:4

Register_Address: 0x8 Register Name: Reserved Default Value: 0x0000000000 Type: R		
Bit Field	Function Name	Description
39:4	Reserved	Leave as default
3:0	Reserved	Leave as default

Register_Address: 0x9 Register Name: Reserved Default Value: 0x0000000000 Type: R		
Bit Field	Function Name	Description
39:37	Reserved	Leave as default
36:32	Reserved	Leave as default
31:29	Reserved	Leave as default
28:24	Reserved	Leave as default
23	Reserved	Leave as default
22:21	Reserved	Leave as default
20:16	Reserved	Leave as default
15	Reserved	Leave as default

Register_Address: 0x9 Register Name: Reserved Default Value: 0x0000000000 Type: R		
Bit Field	Function Name	Description
14	Reserved	Leave as default
13	Reserved	Leave as default
12	Reserved	Leave as default
11	Reserved	Leave as default
10	Reserved	Leave as default
9:0	Reserved	Leave as default

Register_Address: 0xA Register Name: Reserved Default Value: - Type: R		
Bit Field	Function Name	Description
15	Reserved	Leave as default
14:12	Reserved	Leave as default
11:9	Reserved	Leave as default
8	Reserved	Leave as default
7:0	Reserved	Leave as default

Register_Address: 0xB Register Name: Reserved Default Value: - Type: R		
Bit Field	Function Name	Description
31:0	Reserved	Leave as default

Register_Address: 0xC Register Name: PLL1_band Default Value: 0x00000000 Type: R/W		
Bit Field	Function Name	Description
31	kvco_band1	For fsel1 <= 13, set to 0 For fsel1 >13, set to 1
30:0	Reserved	Leave as default

Register_Address: 0xD Register Name: Reserved Default Value: - Type: R		
Bit Field	Function Name	Description
31:0	Reserved	Leave as default

Register_Address: 0xE Register Name: Reserved Default Value: 0x00000000 Type: R		
Bit Field	Function Name	Description
31	Reserved	Leave as default
30:0	Reserved	Leave as default

Register_Address: 0xF Register Name: PLL_Lock Default Value: 0x060000 Type: R/W		
Bit Field	Function Name	Description
23	Reserved	Leave as default
22	Reserved	Leave as default

Register_Address: **0xF**
Register Name: **PLL_Lock**
Default Value: **0x060000**
Type: **R/W**

Bit Field	Function Name	Description
21	pll1_lock	This bit indicates that PLL1 is locked to the incoming signal from the crystal or reference in.
20:0	Reserved	Leave as default

7.0 AC and DC Electrical Characteristics

Absolute Maximum Ratings

Symbol	Characteristics	Min.	Max.	Unit	Condition
V_{DD}	Supply Voltage		4.6	V	
V_{in}	Inputs	-0.50	$V_{DD} + 0.5$	V	
V_{out}	Outputs	-0.50	$V_{DD} + 0.5$	V	
T_A	Operating Temperature Range	-40	+85	°C	
T_S	Storage Temperature Range	-65	+150	°C	

Notes:

Exposure to stresses at or beyond those listed under Absolute Maximum Ratings may cause permanent damage to the device and may affect product reliability. These are absolute maximum specifications only, and functional operation of the device at these conditions or any conditions beyond those listed is not implied or recommended.

DC Characteristics - Power - 2.5 V Supply

Symbol	Characteristics	Min.	Typ.	Max.	Unit	Condition
V_{DD-2V5}	Supply Voltage	2.375	2.50	2.625	V	
$I_{DD-MAX-2V5}$	Maximum Supply Current		301		mA	For V_{DD-2V5}
$I_{DD-CORE-2V5}$	Core supply current		36		mA	For V_{DD-2V5}
$I_{DD-PLL-2V5}$	PLL supply current		80		mA	For V_{DD-2V5}
$I_{DD-CMOS-2V5}$	Supply Current CMOS Output		14		mA	For V_{DD-2V5} and $C_L=4$ pF
$I_{DD-HCSL-2V5}$	Supply Current HCSL Output		28		mA	For V_{DD-2V5}
$I_{DD-LVDS-2V5}$	Supply Current LVDS Output		14		mA	For V_{DD-2V5} and 100 Ohm load
$I_{DD-LVPECL-2V5}$	Supply Current LVPECL Output		28		mA	For V_{DD-2V5}

DC Characteristics - Power - 3.3 V Supply

V_{DD3V3}	Supply Voltage	2.97	3.30	3.63	V	
$I_{DD-MAX-3V3}$	Maximum Supply Current		322		mA	For V_{DD-3V3}
$I_{DD-CORE-3V3}$	Core supply current		38		mA	For V_{DD-3V3}
$I_{DD-PLL-3V3}$	PLL supply current		79		mA	For V_{DD-3V3}

$I_{DD-CMOS-3V3}$	Supply Current CMOS Output		19		mA	For V_{DD-3V3} and $C_L=4$ pF
$I_{DD-HCSL-3V3}$	Supply Current HCSL Output		28		mA	For V_{DD-3V3}
$I_{DD-LVDS-3V3}$	Supply Current LVDS Output		18		mA	For V_{DD-3V3} and 100 Ohm load
$I_{DD-LVPECL-3V3}$	Supply Current LVPECL Output		32		mA	For V_{DD-3V3}

LVDS DC Characteristics

Symbol	Characteristics	Min.	Typ.	Max.	Unit	Condition
$V_{OH-LVDS}$	Output HIGH voltage (Note 1)	1.248	1.375	1.711	V	
$V_{OL-LVDS}$	Output LOW voltage (Note 2)	0.846	1.025	1.252	V	
$V_{OD-LVDS}$	Output differential voltage	247	630	672	mV	
$V_{CM-LVDS}$	Common mode output voltage	1.125	1.200	1.375	V	

Notes: Outputs terminated with 100 ohms between Outn_p and Outn_n. See Switching Waveforms, page 33.
1. $V_{OH\ max} = V_{CM\ max} + 1/2 V_{OD\ max}$
2. $V_{OL\ min} = V_{CM\ min} - 1/2 V_{OD\ max}$

LVPECL DC Characteristics

Symbol	Characteristics	Min.	Typ.	Max.	Unit	Condition
$V_{OH-LVPECL}$	Output HIGH voltage	$V_{DD}-1.35$	$V_{DD}-0.95$	$V_{DD}-0.70$	V	
$V_{OL-LVPECL}$	Output LOW voltage	$V_{DD}-2.00$	$V_{DD}-1.78$	$V_{DD}-1.60$	V	
$V_{SWING-LVPECL}$	Peak to Peak Output Voltage	0.650	0.800	0.950	V	

Notes: Outputs terminated with 200Ω to VSS then AC coupled to tester

HCSL DC Characteristics)

Symbol	Characteristics	Min.	Typ.	Max.	Unit	Condition
V_{OH}	Output HIGH voltage	0.660	0.700	0.850	V	
V_{OL}	Output LOW voltage	-0.150	0.000	0.150	V	
V_{OX}	Absolute Crossing Point	250	450	550	mV	
V_{SWING}	Peak to Peak Voltage Wing	650	770	950	mV	

Notes: Outputs terminated with 50 Ω to V_{SS}

LVC MOS DC Characteristics

Symbol	Characteristics	Min.	Typ.	Max.	Unit	Condition
V_{OH}	Output HIGH voltage	$V_{DD}-0.80$	$V_{DD}-0.60$	$V_{DD}-0.33$	V	$I_L = 10 \text{ mA}$
V_{OL}	Output LOW voltage	0.33	0.42	0.50	V	$I_L = 10 \text{ mA}$

AC Characteristics

Symbol	Characteristics	Min.	Typ.	Max.	Unit	Condition
T_R/T_F	LVDS Output rise/fall time	85	100	350	ps	20% to 80%
T_R/T_F	LVPECL Output rise/fall time	85	210	300	ps	20% to 80%
T_R/T_F	HCSL Output rise/fall time	175	300	400	ps	20% to 80%
T_R/T_F	LVC MOS Output rise/fall time	100	600	1250	ps	20% to 80%
ODC_{LVDS}	Output Duty Cycle	47	50	53	%	
ODC_{LVPECL}	Output Duty Cycle	47	50	53	%	All other values of output divider
ODC_{LVPECL}	Output Duty Cycle	45	50	55	%	Output divider of 4.5
ODC_{HCSL}	Output Duty Cycle	45	50	55	%	All other values of output divider
ODC_{HCSL}	Output Duty Cycle	40	50	60	%	Output divider of 4.5
$ODC_{LVC MOS}$	Output Duty Cycle	45	50	55	%	Output frequency less than 180 MHz
$ODC_{LVC MOS}$	Output Duty Cycle	40	50	60	%	Output frequency less than 250 MHz

Output Frequency Range

Type	Min. Freq (MHz)	Max. Freq (MHz)	Conditions
LVC MOS	12	250	33Ω into 50Ω trace (Note 1)
LVDS	12	914	Each output into 50Ω trace Differential Termination = 100Ω
HCSL	12	914	Each output into 50Ω trace Terminated to VSS
LVPECL	12	914	Each output into 50Ω trace terminated at $V_{DD} - 2.0V$

Notes:

1. A 33 Ohm series termination resistor is required within 0.25" of the device.

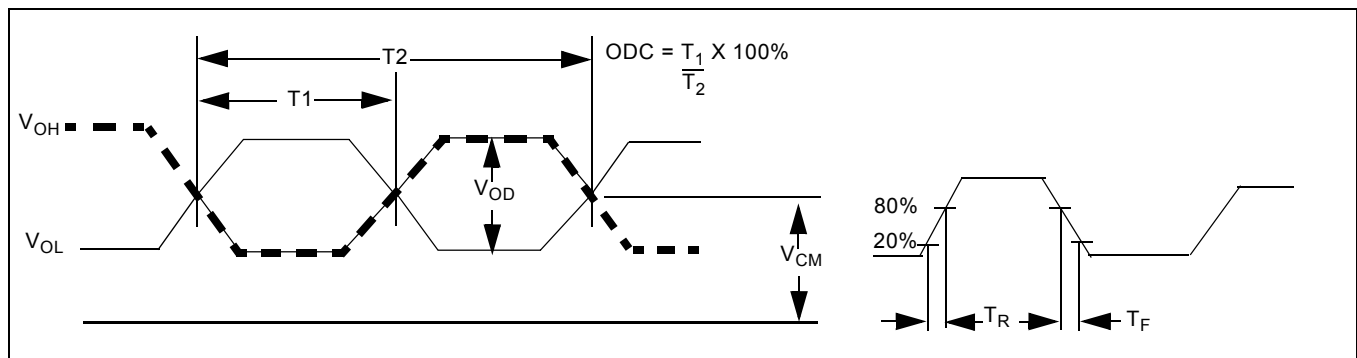


Figure 11 - Switching Waveforms

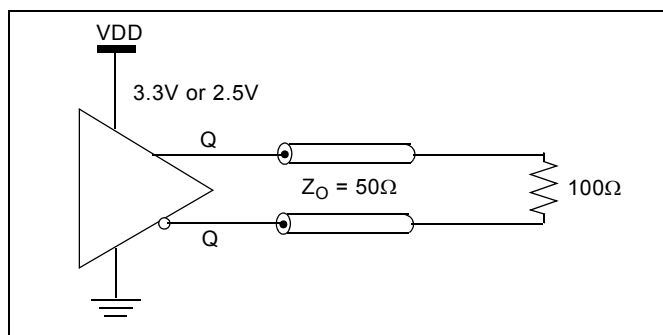


Figure 12 - LVDS Output Load & Test Circuit

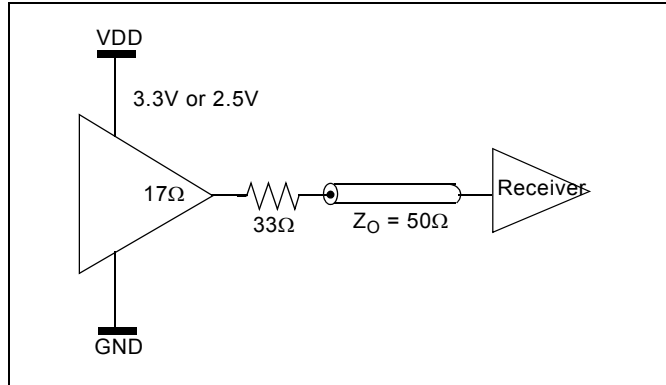


Figure 13 - LVCMOS Output Load & Test Circuit

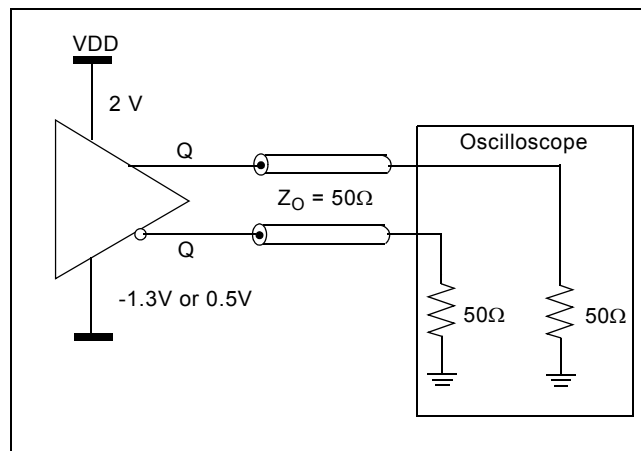


Figure 14 - LVPECL Output Load & Test Circuit

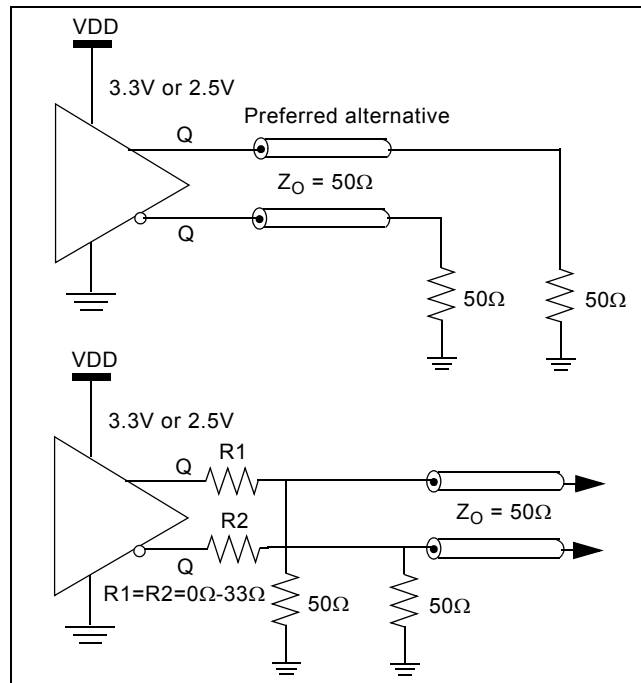


Figure 15 - HCSL Output Loads & Test Circuits

AC Characteristics - REFIN Inputs

Symbol	Characteristics	Min.	Typ.	Max.	Unit	Condition
$1/t_{REFP}$	Input reference Frequency (LVCMOS Input)	22		180	MHz	
$1/t_{REFP}$	Input reference Frequency (Differential Input)	22		864	MHz	
t_{REFW}	Input reference pulse width high or low	0.15			ns	Rise/fall time of input signal ≤ 400 fs

DC Characteristics - REFIN Inputs

Symbol	Characteristics	Min.	Typ.	Max.	Unit	Condition
V_{IH}	High-level input voltage	$0.7 \cdot V_{DD}$			V	
V_{IL}	Low-level input voltage			$0.3 \cdot V_{DD}$	V	
I_{IL}	Input leakage current	-10		10	μ A	$V_I = V_{DD}$ or 0V
V_{CM}	Differential input common mode voltage	0		$V_{DD} - 2.0$	V	
V_{ID}	Differential input voltage difference	0.25		1.3	V	

AC Characteristics - SPI Timing

Specification	Name	Min.	Typ.	Max.	Units	See Figure
sck period	tcyc	100			ns	Both
sck pulse width low	tckl	50			ns	Both
sck pulse width high	tckh	50			ns	Both
si setup (write) from sck rising	trxs	1.7			ns	Write
si hold (write) from sck rising	trxh	0			ns	Write
so delay (read) from sck falling	txd		18		ns	Read
cs_b setup from sck rising	tcss	200			ns	Both
cs_b hold from sck falling	tctsh	200			ns	Both
cs_b to output high impedance	tohz		65		ns	Write

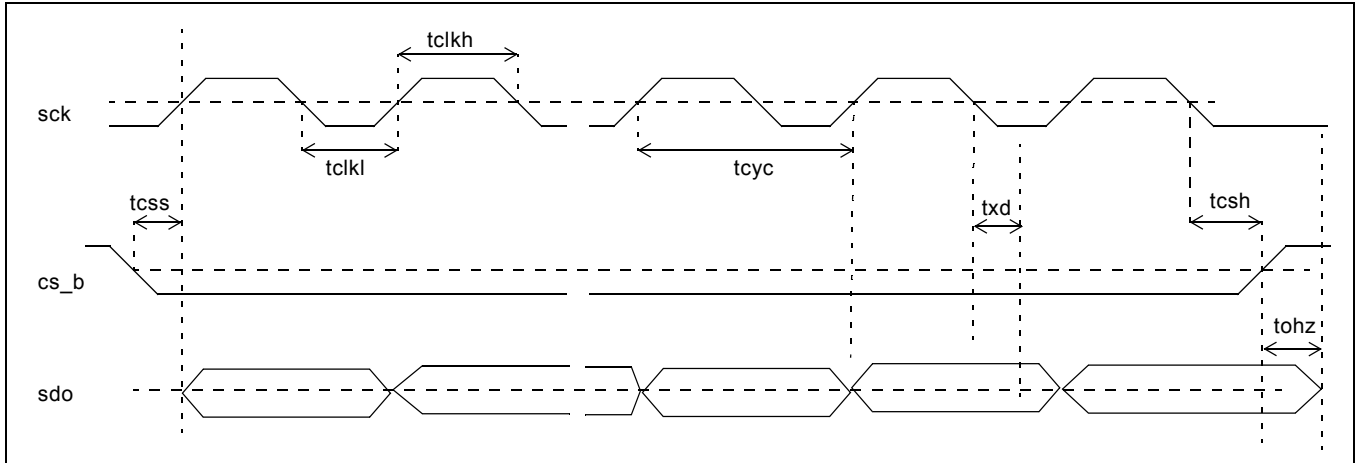


Figure 16 - Serial Peripheral Interface Timing - Master Read (opcode 2) cycle

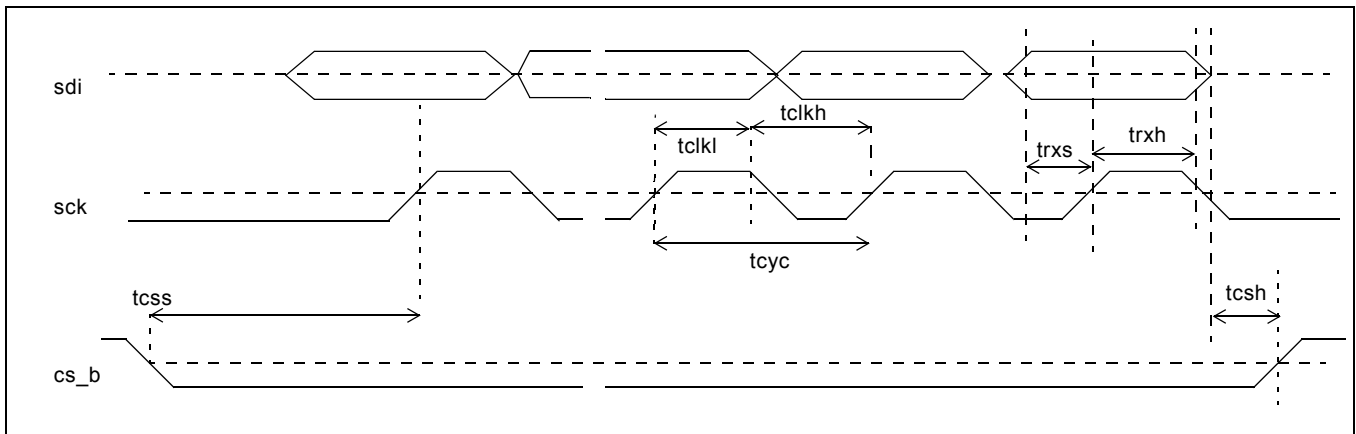


Figure 17 - Serial Peripheral Interface Timing - Master Write (opcode 1) cycle

8.0 Performance Characteristics

Differential Output Clock Jitter Generation

Category	Output Frequency MHz	Jitter Measurement Filter	Typ	Max	Unit	Crystal Frequency	Condition
SONET/SDH	622.08	12 kHz to 20 MHz	0.28	0.38	ps RMS	49.152	Fractional
OTN (OTU1)	666.514286	12 kHz to 20 MHz	0.41	0.50	ps RMS	49.152	Fractional
Ethernet	156.25	12 kHz to 20 MHz	0.26	0.41	ps RMS	50	Integer
Fiber Channel	212.5	12 kHz to 20 MHz	0.26	0.36	ps RMS	50	Integer

Note 1: Measured using recommended layout and power supply decoupling.

Note 2: See section 3.5, "PLLs" for more information about the APLL modes used in this device

LVC MOS Output Clock Jitter Generation

Category	Output Frequency MHz	Jitter Measurement Filter	Typ	Max	Unit	Crystal Frequency	Condition
Ethernet	25	12 kHz to 5 MHz	0.32	0.52	ps RMS	50	Integer
SONET/SDH	77.76	12 kHz to 20 MHz	0.43	0.65	ps RMS	49.152	Fractional
Fiber Channel	212.5	12 kHz to 20 MHz	0.28	0.41	ps RMS	50	Integer

Note 1: Measured using recommended layout and power supply decoupling.

Note 2: See section 3.5, "PLLs" for more information about the APLL modes used in this device

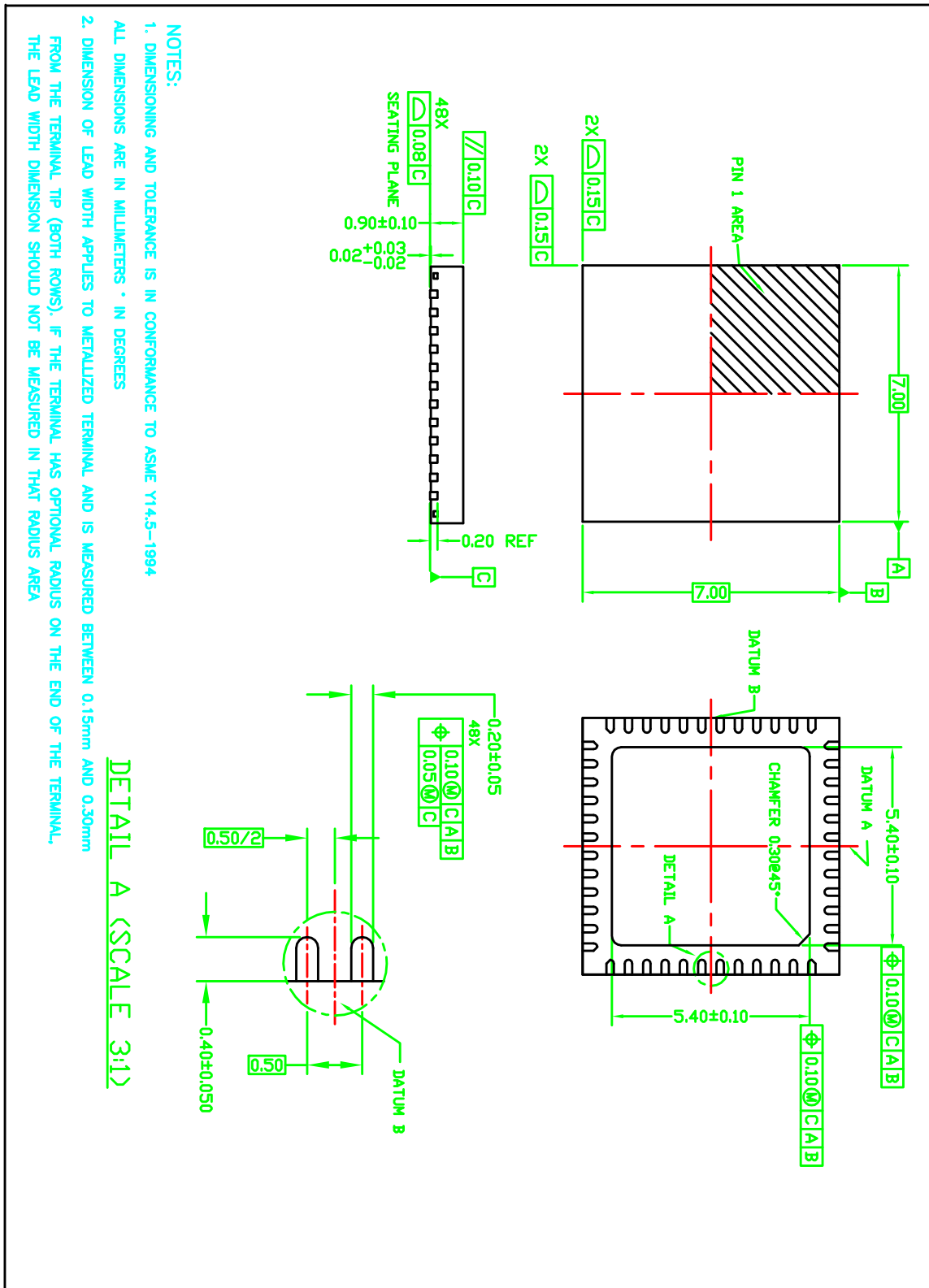
9.0 Thermal Characteristics

Parameter	Symbol	Test Condition	Value	Unit
Junction to Ambient Thermal Resistance	θ_{JA}	Still Air 1 m/s 2 m/s	23.3 21.2 19.7	$^{\circ}\text{C}/\text{W}$
Junction to Case Thermal Resistance	θ_{JC}		12.5	$^{\circ}\text{C}/\text{W}$
Junction to Board Thermal Resistance	θ_{JB}		6.6	$^{\circ}\text{C}/\text{W}$
Maximum Junction Temperature*	T_{jmax}		125	$^{\circ}\text{C}$
Maximum Ambient Temperature	T_A		85	$^{\circ}\text{C}$

Table 9 - Thermal Care

* Proper thermal management must be practiced to ensure that T_{jmax} is not exceeded.

10.0 Mechanical Drawing



- NOTES:
1. DIMENSIONING AND TOLERANCE IS IN CONFORMANCE TO ASME Y14.5-1994
ALL DIMENSIONS ARE IN MILLIMETERS - IN DEGREES
 2. DIMENSION OF LEAD WIDTH APPLIES TO METALLIZED TERMINAL AND IS MEASURED BETWEEN 0.15mm AND 0.30mm
FROM THE TERMINAL TIP (BOTH ROWS). IF THE TERMINAL HAS OPTIONAL RADIUS ON THE END OF THE TERMINAL,
THE LEAD WIDTH DIMENSION SHOULD NOT BE MEASURED IN THAT RADIUS AREA

DETAIL A (SCALE 3:1)



Microsemi Corporate Headquarters
One Enterprise, Aliso Viejo CA 92656 USA
Within the USA: +1 (949) 380-6100
Sales: +1 (949) 380-6136
Fax: +1 (949) 215-4996

Microsemi Corporation (NASDAQ: MSCC) offers a comprehensive portfolio of semiconductor solutions for: aerospace, defense and security; enterprise and communications; and industrial and alternative energy markets. Products include high-performance, high-reliability analog and RF devices, mixed signal and RF integrated circuits, customizable SoCs, FPGAs, and complete subsystems. Microsemi is headquartered in Aliso Viejo, Calif. Learn more at www.microsemi.com.

© 2012 Microsemi Corporation. All rights reserved. Microsemi and the Microsemi logo are trademarks of Microsemi Corporation. All other trademarks and service marks are the property of their respective owners.