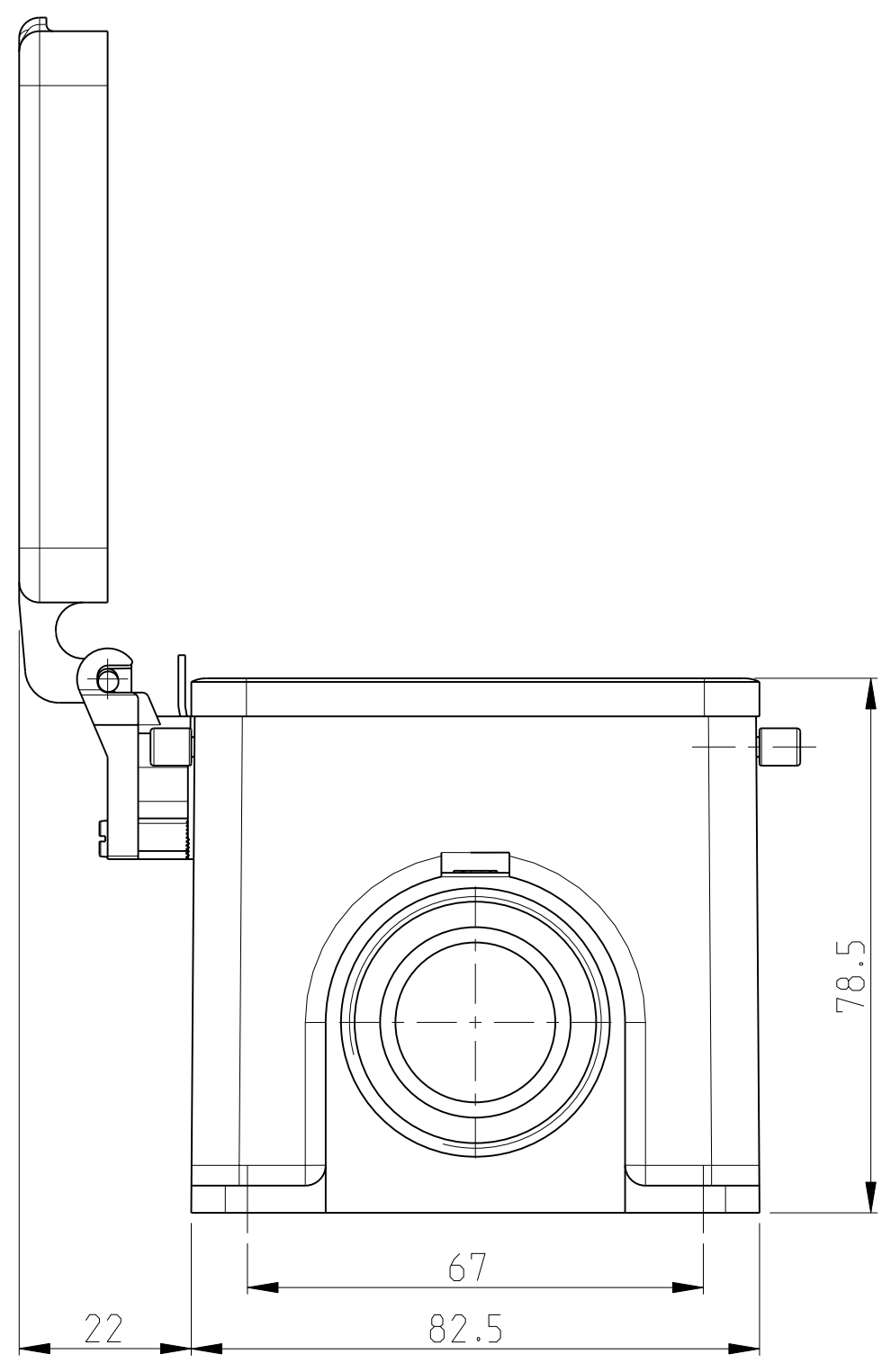
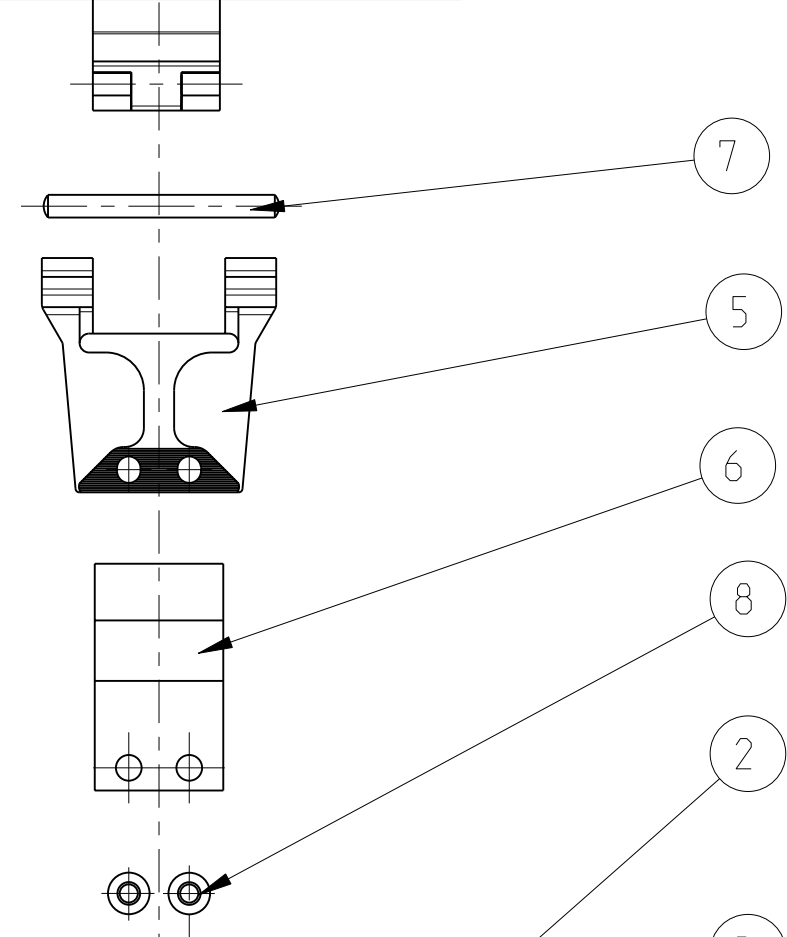
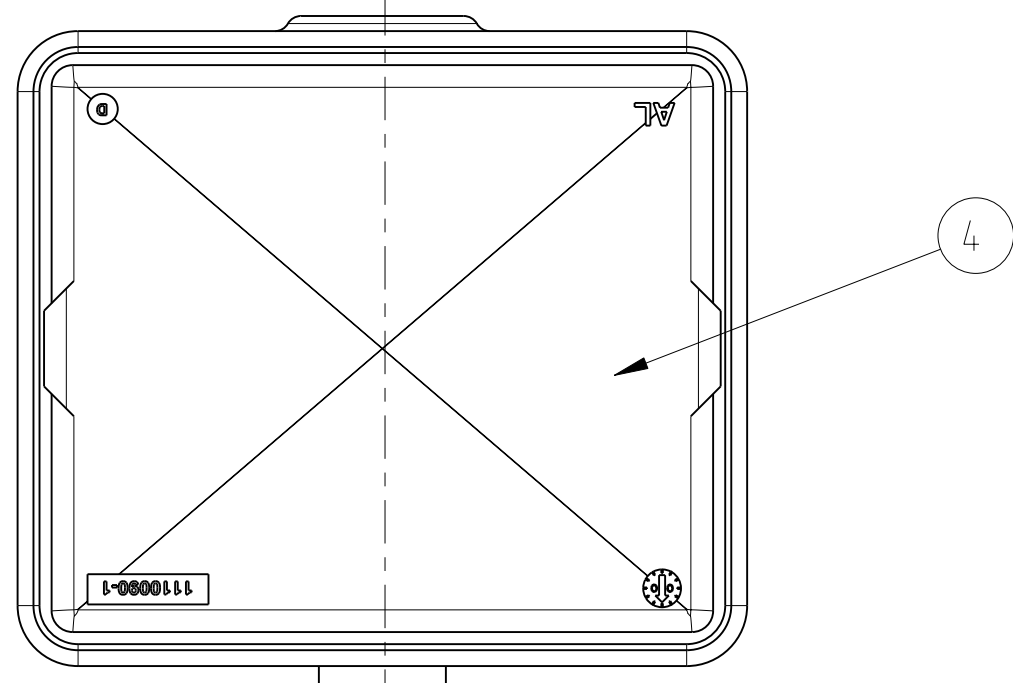


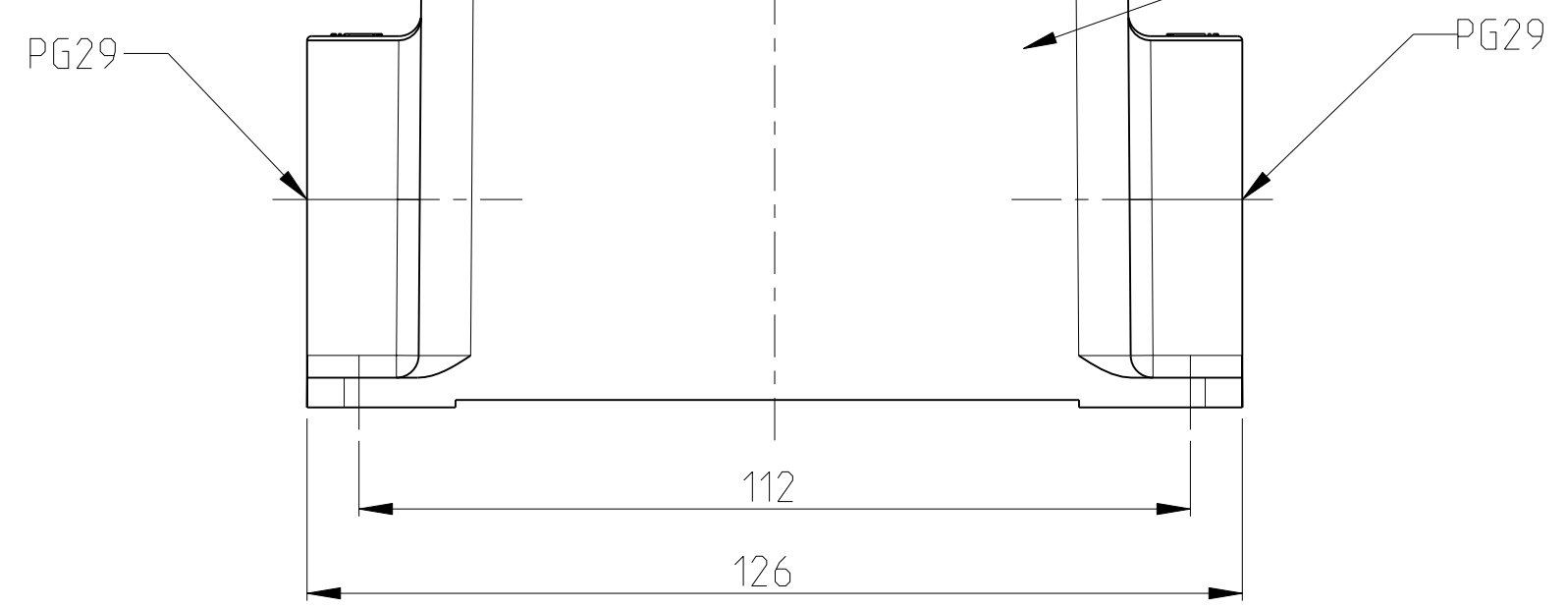
THIS DRAWING IS UNPUBLISHED. RELEASED FOR PUBLICATION 2006  
 © COPYRIGHT 2006 BY TYCO ELECTRONICS CORPORATION. ALL RIGHTS RESERVED.

LOC	DIST	REVISIONS				
P	LTR	DESCRIPTION	DATE	DWN	APVD	
A1	-	A2	new pro/E drawing ECR-09-007725	26MAR2009	SR	AR



NOTES

- 1 PART SHALL BE FREE AND CLEAN OF BURRS AND OTHER FOREIGN MATERIAL
- 2 PACKAGING: QUANTITY 3 PIECES
- 3 VARNISHING INSIDE HOUSING NOT REQUIRED



DESCRIPTION	MATERIAL	SURFACE	COLORE	ITEM	NOTES
2 ZYLINDER SCREW	STAIN. STEEL	BLANC		8	M3x16
1 GROVED PIN	STEEL	ZINC PLATED	BLUE	7	
1 LEAF SPRING	STEEL	ZINC PLATED	BLUE	6	
1 HINGE	ALUMINIUM		GREY	5	
1 COVER	ALUMINIUM		GREY	4	
4 CLIP BOLT	STEEL	ZINC PLATED	BLUE	3	
1 PROFIL SEAL	NEOPRENE		BLACK	2	
1 SURFACE MOUNTED HOUSING SIDE ENTRY	ALUMINIUM		GREY	1	

HB.32.SGD.2.29.Z

<small>THIS DRAWING IS A CONTROLLED DOCUMENT FOR TYCO ELECTRONICS CORPORATION IT IS SUBJECT TO CHANGE AND THE CONTROLLING ENGINEERING ORGANIZATION SHOULD BE CONTACTED FOR THE LATEST REVISION.</small>		DWN 26MAR2009 R.SCHNEIDER CHK 26MAR2009 T.SCHNURPFELT	tyco Electronics AMP GmbH 53757 Sankt Augustin (Germany)
DIMENSIONS: mm 	TOLERANCES UNLESS OTHERWISE SPECIFIED: 0 PLC ±- 1 PLC ±- 2 PLC ±- 3 PLC ±- 4 PLC ±- ANGLES ±1° FINISH	APVD - PRODUCT SPEC - APPLICATION SPEC - WEIGHT -	NAME Surface mounted housing side entry HB.32.SGD.2.29.Z SIZE A2 CAGE CODE 00779 DRAWING NO C-1102364 RESTRICTED TO -
MATERIAL -		CUSTOMER DRAWING	
		SCALE 1:1	SHEET 1 OF 1 REV A2