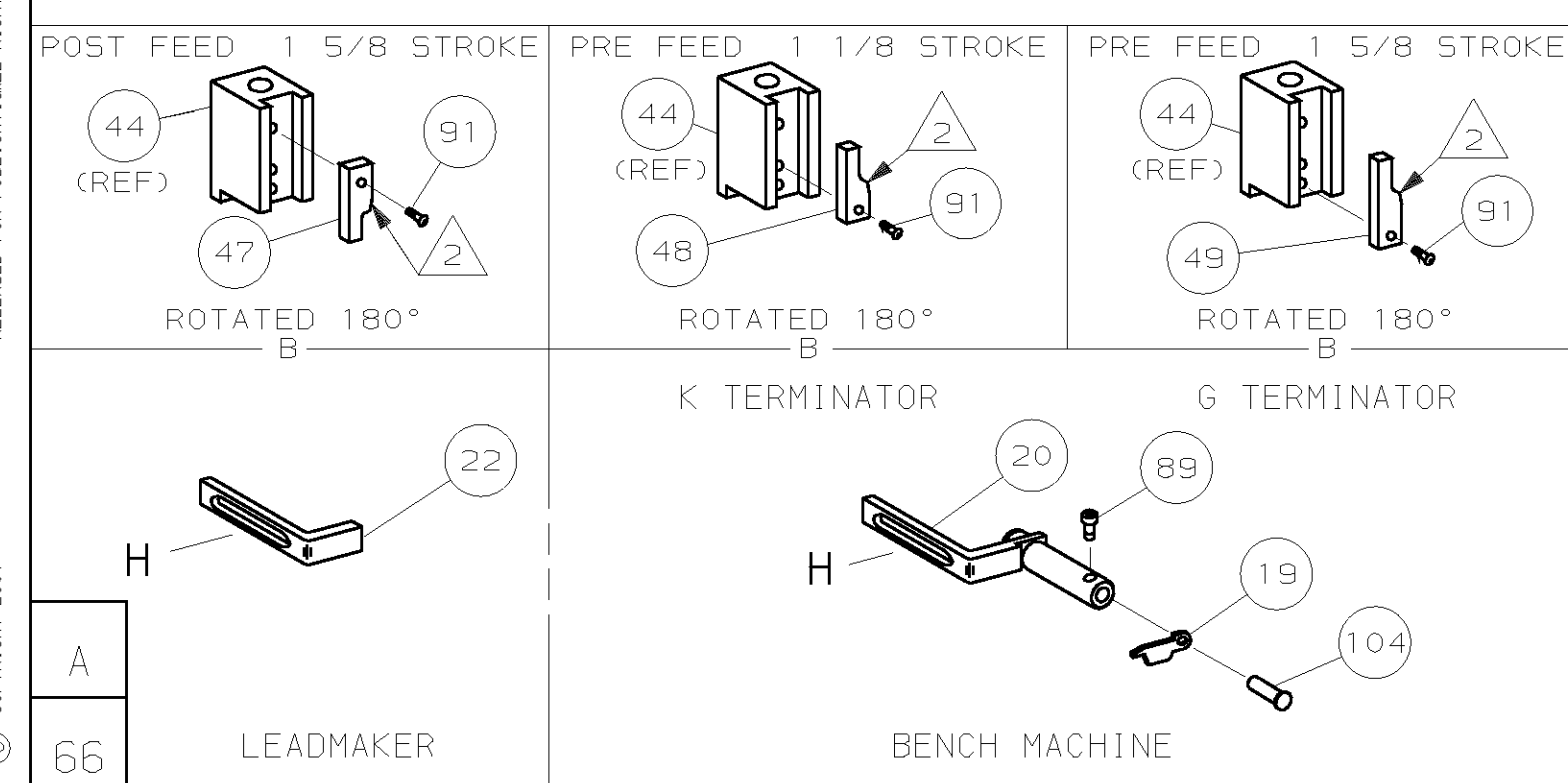
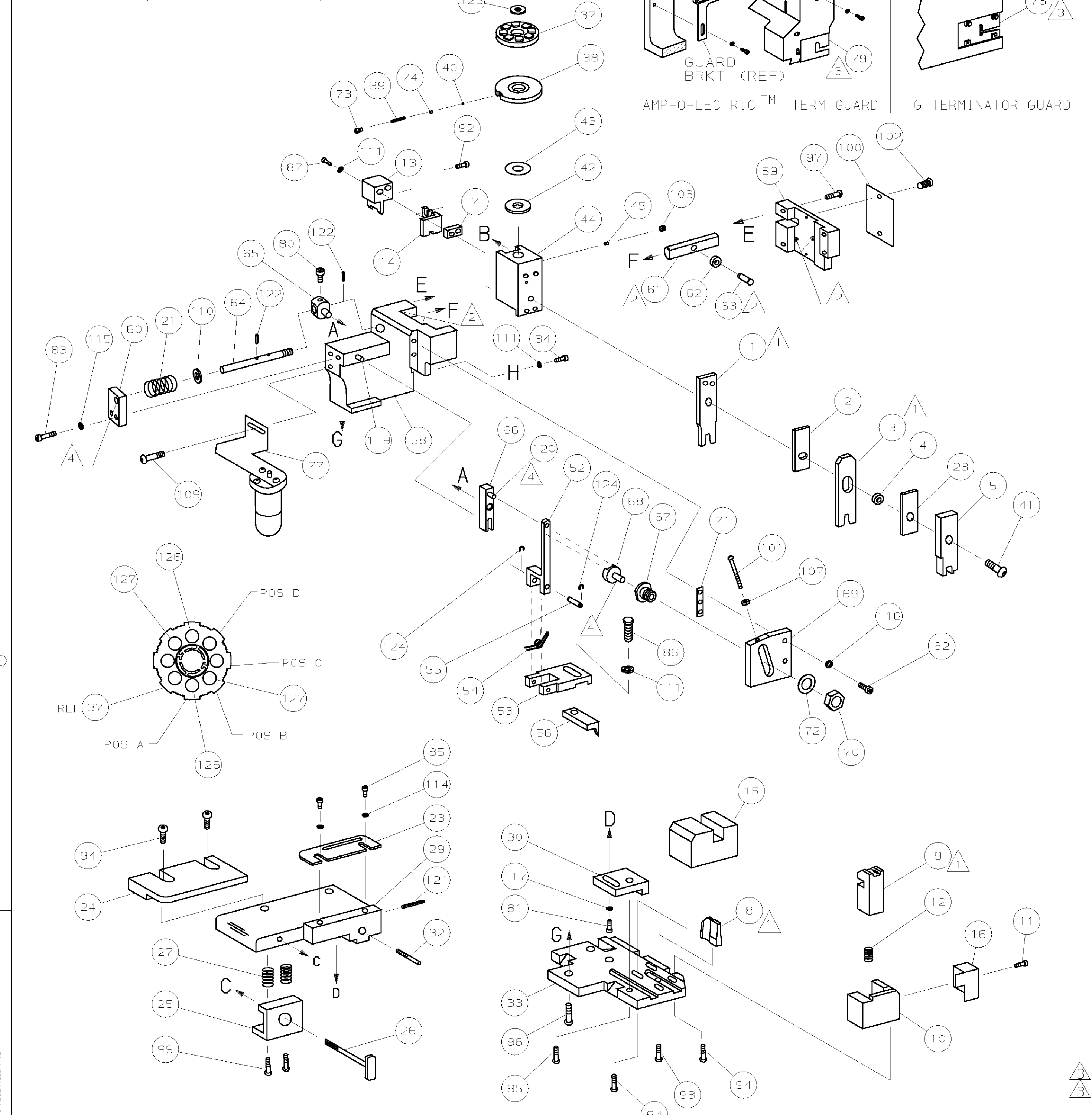


PART NUMBER	REV	FIRST USED
567308-1	E	122500-1
567308-2	E	565435-5
567308-3	E	354500-1



- 1 RECOMMENDED SPARE PARTS.
- 2 GREASE LIGHTLY.
- 3 GUARD MUST BE IN PLACE WHEN OPERATING APPLICATOR IN A BENCH MACHINE.
- 4 LUBRICATE DAILY USING NO. 20 MACHINE OIL.
- 5. ITEMS WITH QTY OF REF SPECIFIED (EXCEPT ITEMS 78 AND 79) ARE USED ON ITEM 46.
- 6 INSULATION CRIMP HEIGHT .068 MAX.

RECEPT		PIN		CRIMPING DATA		
86655	494033	PAD LTR	CRIMP HEIGHT	WIRE SIZE		
		A	.028 ±.002 [0.71 ±0.05mm]	22		
		B	.025 ±.002 [0.64 ±0.05mm]	24		
		C	NOT	USED		
		D	NOT	USED		
		CRIMP	SIZE	TYPE	RANGE	
		WIRE	.055 [1.4mm]	F	24-22	
		INSUL	.070 [1.78mm]	F	.040-.056	

QTY	RECD	PER	ASSY	WIRE STRIP LENGTH	TERM APPL SPEC	FEED	APPL INSTRUCTION	SET UP GAGE	LAYOUT	ITEM NO
				.110-.140	114-16015	.330	408-8040	458637-1	533-A	129
2	2	2	-	C	7-354779-2		PIN, WIRE DISC (.3350)B			127
2	2	2	-	C	6-354779-6		PIN, WIRE DISC (.3320)A			126
1	1	1	-	A	986950-1		WASHER, FLAT PRECISION			125
REF	REF	REF	-	A	21045-3		RING, RET "C" (Ø.187)FD FING PIN			124
REF	REF	REF	-	A	5-21028-1		PIN, SLT SPR (Ø.125x.50)ADJ ROD			122
1	1	1	-	A	4-21028-0		PIN, SLT SPR (Ø.093x.75)ST GDE PL			121
REF	REF	REF	-	A	1-21030-1		PIN, DOWEL (Ø.187x.50)LEVER			120
REF	REF	REF	-	A	1-21030-6		PIN, DOWEL (Ø.187x1.25)HOUSING			119
1	1	1	-	A	21024-5		WASHER, LOCK (#10)ADJ BLOCK			118
REF	REF	REF	-	A	21024-5		WASHER, LOCK (#10)ADJ PLATE			116
REF	REF	REF	-	A	21024-5		WASHER, LOCK (#10)FEED GDE ROD			115
2	2	2	-	A	21024-2		WASHER, LOCK (#4)FRONT STP GUIDE			114
4	4	4	-	A	21024-4		WASHER, LOCK (#8)STRIPPER			111
REF	REF	REF	-	A	21899-4		WASHER, FLAT (Ø5/16)SCREW ADJ			110
-	1	-	-	A	2-21002-6		SCR, BHC (10-32x.38)LUBE ASSY			109
REF	REF	REF	-	A	21018-5		NUT, HEX (6-32)FEED ADJ			107
1	1	-	-	A	992031-1		PIN, CLEVIS			104
1	1	1	-	A	21009-2		SCR, SKT SET (1/4-20x.25 LW)RAM			103
2	2	2	-	A	21017-2		SCR, DRIVE (#2x.19)ID PLATE			102
REF	REF	REF	-	A	6-23715-5		SCR, PAN HD (6-32x1.50)FEED ADJ			101
1	1	1	-	B	461264-1		PLATE, IDENTIFICATION			100
2	2	2	-	A	3-21002-0		SCR, BHC (10-32x.88)DRAG			99
1	1	1	-	A	22733-8		SCR, BHC (8-32x.38 LW)ANVIL			98
REF	REF	REF	-	A	2-21002-9		SCR, BHC (10-32x.75)CAP			97
REF	REF	REF	-	A	2-22733-8		SCR, BHC (1/4-20x.62)HOUSING			96
REF	REF	REF	-	A	2-21002-7		SCR, BHC (10-32x.50)56 ADJ BLOCK			95
6	6	6	-	A	2-21002-2		SCR, BHC (8-32x.50)TERM H DWN			94
2	2	2	-	A	1-21000-9		SCR, SHC (6-32x.38)SHEAR			92
1	1	1	-	A	1-21002-7		SCR, BHC (6-32x.38)CAM			91
1	1	-	-	A	7-21000-9		SCR, SHC (4-40x.19)STRIPPER			90
2	2	2	-	A	2-21000-9		SCR, SHC (8-32x.75)DEP-HOLD			87
1	1	1	-	A	2-22603-0		SCR, HEX HD (8-32x.31)FEED FINGER			86
2	2	2	-	A	1-21000-3		SCR, SHC (4-40x.25)F ST GUIDE			85
1	1	1	-	A	2-21000-7		SCR, SHC (8-32x.50)STRIPPER			84
REF	REF	REF	-	A	3-21000-7		SCR, SHC (10-32x.75)FEED ROD GD			83
REF	REF	REF	-	A	3-21000-6		SCR, SHC (10-32x.62)FD ADJ BLK			82
1	1	1	-	A	3-21000-4		SCR, SHC (10-32x.38)56 ADJ BL			81
REF	REF	REF	-	A	3-21000-4		SCR, SHC (10-32x.38)PIVOT BLK			80
-	1	-	-	B	1-462992-8		GUARD ASSY			79
REF	-	-	-	B	679532-1		INSERT, GUARD			78
-	1	-	-	C	1-465184-0		LUBRICATOR ASSY			77
1	1	1	-	A	690603-1		SPRING, ASSIST			74
1	1	1	-	A	23030-1		SCR, SHC (6-32x.25 SL)INS DISC			73
REF	REF	REF	-	A	458109-1		WASHER, SPECIAL			72
REF	REF	REF	-	A	690517-1		SPACER			71

QTY	RECD	PER	ASSY	U/M	DWG SIZE	PART NO	DESCRIPTION	ITEM NO
-3	-2	-1	U/M	DWG SIZE	PART NO	DESCRIPTION	ITEM NO	
1	1	1	-	B	690542-2	PAWL, FEED	56	
REF	REF	REF	-	B	240624-1	PIN, FEED FINGER	55	
REF	REF	REF	-	B	691499-1	SPRING, FEED FINGER	54	
REF	REF	REF	-	B	690541-1	HOLDER, FEED FINGER	53	
REF	REF	REF	-	A	455679-1	LEVER, TERMINAL FEED ARM	52	
							51	
							50	
1	-	-	-	B	690602-6	CAM, PRE-FEED 1 5/8 ST	49	
-	1	-	-	B	690602-5	CAM, PRE-FEED 1 1/8 ST	48	
-	-	1	-	B	690501-4	CAM, POST-FEED 1 5/8 ST	47	
1	1	1	-	B	459456-1	APPLICATOR, BASIC (SUBASSY)	46	
1	1	1	-	A	690191-1	PLUG, NYLON	45	
1	1	1	-	C	455673-1	RAM	44	
1	1	1	-	A	690125-1	WASHER, LAMINATED	43	
1	1	1	-	A	690124-1	WASHER, RAM	42	
1	1	1	-	A	7-21002-9	BOLT, CRIMPER (5/16x1.00)	41	
1	1	1	-	A	23241-6	BALL, STEEL	40	
1	1	1	-	A	690170-1	SPRING, COMPRESSION	39	
1	1	1	-	C	690142-4	DISC, INSULATION	38	
1	1	1	-	D	354777-1	WIRE DISC, PLASTIC	37	
1	1	1	-	A	22480-5	WASHER, SPRING	36	
1	1	1	-	B	690212-1	POST, RAM	35	
							34	
REF	REF	REF	-	D	455675-1	PLATE, BASE	33	
1	1	1	-	A	690432-3	SCREW, ADJUSTMENT	32	
							31	
REF	REF	REF	-	B	455689-1	BLOCK, STRIP GUIDE ADJ	30	
1	1	1	-	C	455671-5	PLATE, STRIP GUIDE	29	
1	1	1	-	C	1-455888-2	SPACER, FRONT SHEAR DEP	28	
2	2	2	-	A	1-22284-0	SPRING, DRAG	27	
1	1	1	-	B	690546-1	LEVER, DRAG RELEASE	26	
1	1	1	-	B	240792-1	DRAG, TERMINAL	25	
1	1	1	-	D	1-690504-7	GUIDE, STRIP (REAR)	24	
1	1	1	-	A	690438-1	GUIDE, STRIP (FRONT)	23	
-	-	1	-	B	690472-2	STRIPPER	22	
REF	REF	REF	-	A	4-22284-9	SPRING, FEED RETURN	21	
1	1	-	-	A	679218-1	STRIPPER WIRE STOP ASSY	20	
1	1	-	-	B	458949-1	STRIPPER	19	
							18	
							17	
1	1	1	-	B	691667-1	GUARD, CHIP (FRONT)	16	
1	1	1	-	B	455174-1	PLATE, REAR SHEAR	15	
1	1	1	-	B	456034-1	HOLD DOWN	14	
1	1	1	-	B	455175-1	SHEAR, REAR	13	
1	1	1	-	A	6-22279-3	SPRING, SHEAR	12	
1	1	1	-	B	690461-5	STOP, SHEAR	11	
1	1	1	-	C	690459-2	HOLDER, SHEAR (FRONT)	10	
1	1	1	-	C	690804-4	SHEAR, FLOAT (FRONT)	9	
1	1	1	-	C	464834-1	ANVIL	8	
1	1	1	-	C	4-240641-0	SPACER, DEPRESSOR (REAR)	7	
							6	
1	1	1	-	C	455889-9	DEPRESSOR, SHEAR (FRONT)	5	
1	1	1	-	B	238011-9	SPACER, BLOCK CRIMPER	4	
1	1	1	-	C	2-683453-1	CRIMPER, INSULATION	3	
1	1	1	-	C	455888-4	SPACER, CRIMPER	2	
1	1	1	-	C	5-456402-4	CRIMPER, WIRE	1	

DIMENSIONS IN INCHES. DO NOT SCALE PRINT.		MATERIAL		FINISH	
TOLERANCES UNLESS OTHERWISE SPECIFIED:		HT TR		FIN	
2 PLC DEC ±		-		-	
3 PLC DEC ±		-		-	
4 PLC DEC ±		-		-	
ANGLES ±		-		-	
SURF TEXTURE: ✓		-		-	
REMOVE BURRS, BREAK SHARP EDGES R.015 MAX		-		-	

THIS DRAWING IS A CONTROLLED DOCUMENT.

.19

RELEASED FOR PUBLICATION  
RELEASED FOR PUBLICATION RIGHTS RESERVED, 02

THIS DRAWING IS UNCLASSIFIED  
DATE 01/11/2001 BY 60322

567308

D

C

B

A

RESTRICTED TO