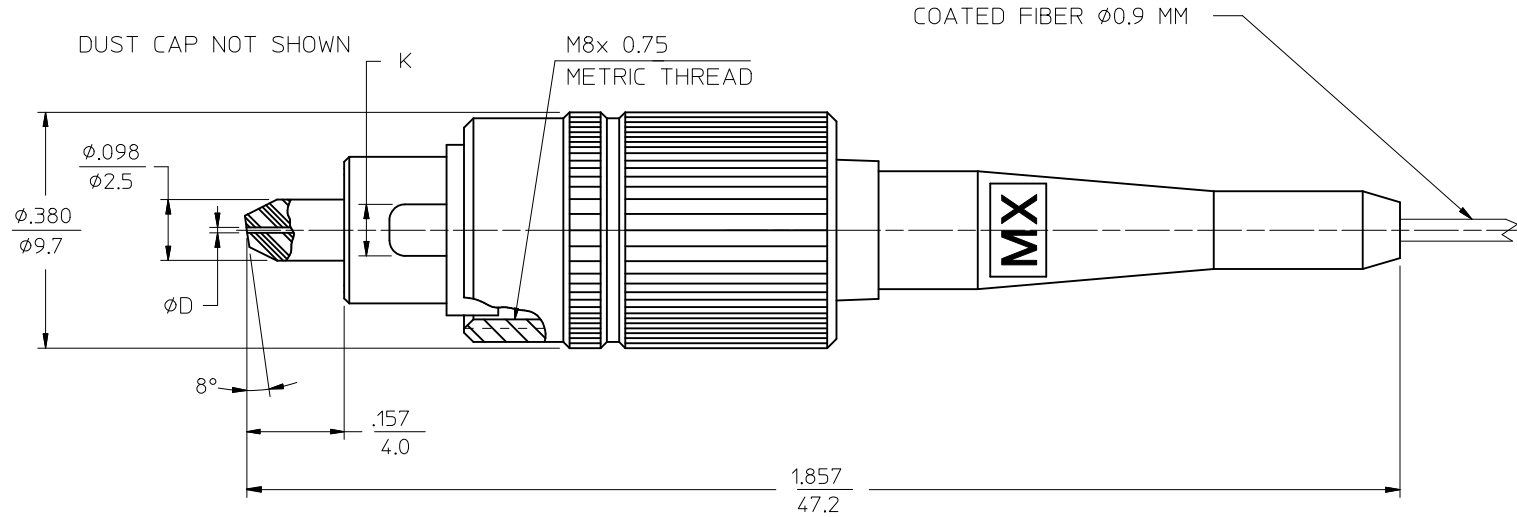


CONNECTOR P/N	φD(mm)	K (KEY)	TYPE OF FIT
106056-4500	.125	.083 2.1	STANDARD
106056-5500	.126		
106055-4500	.125	.079 2.0	TIGHT
106055-5500	.126		



<b>ENTER DESCRIPTION</b> EC NO: MF2012-0610 DRAWN: MGHAYERE 2012/06/06 CHKD: APPR: IGUMIN 2012/06/08 REV: A1	QUALITY SYMBOLS ▽=0 ▽7=0	GENERAL TOLERANCES (UNLESS SPECIFIED) <table border="1"> <thead> <tr> <th></th> <th>mm</th> <th>INCH</th> </tr> </thead> <tbody> <tr> <td>4 PLACES</td> <td>± .005</td> <td>± .0004</td> </tr> <tr> <td>3 PLACES</td> <td>± .004</td> <td>± .0003</td> </tr> <tr> <td>2 PLACES</td> <td>± .003</td> <td>± .0002</td> </tr> <tr> <td>1 PLACE</td> <td>± .002</td> <td>± .0001</td> </tr> <tr> <td>0 PLACE</td> <td>± .001</td> <td>± .0000</td> </tr> </tbody> </table>		mm	INCH	4 PLACES	± .005	± .0004	3 PLACES	± .004	± .0003	2 PLACES	± .003	± .0002	1 PLACE	± .002	± .0001	0 PLACE	± .001	± .0000	DIMENSION STYLE IN/MM	SCALE 5:1	DESIGN UNITS INCH	THIRD ANGLE PROJECTION
		mm	INCH																					
	4 PLACES	± .005	± .0004																					
	3 PLACES	± .004	± .0003																					
	2 PLACES	± .003	± .0002																					
1 PLACE	± .002	± .0001																						
0 PLACE	± .001	± .0000																						
DRAFT WHERE APPLICABLE MUST REMAIN WITHIN DIMENSIONS		DRAWN BY: PGIBLIN DATE: 2005/10/24	CHECKED BY:	DATE:	TITLE FCII APC CONN. (BARE FIBER)																			
MATERIAL NO.		APPROVED BY:		DATE:		SHEET NO. 1 OF 1																		
SIZE B		SEE TABLE		DOCUMENT NO. SD-10605X-X500		THIS DRAWING CONTAINS INFORMATION THAT IS PROPRIETARY TO MOLEX INCORPORATED AND SHOULD NOT BE USED WITHOUT WRITTEN PERMISSION																		
molex																								