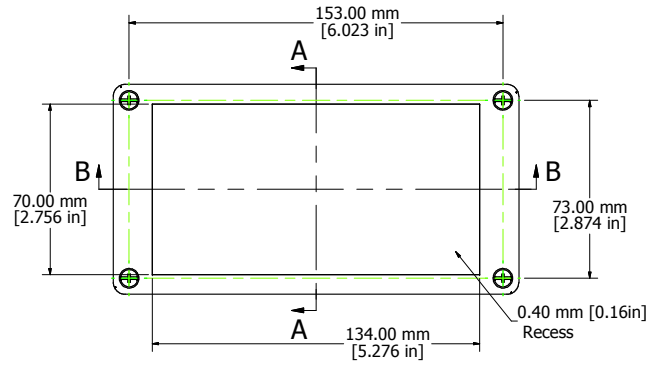
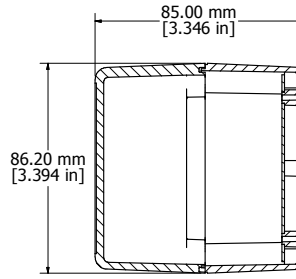


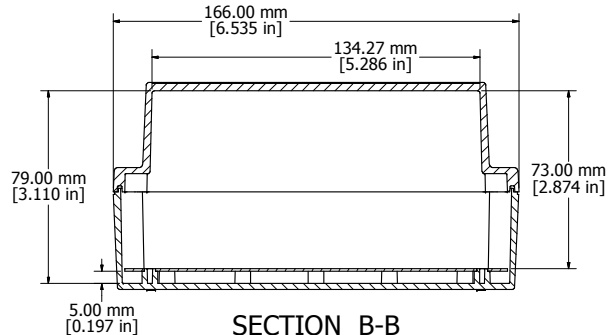
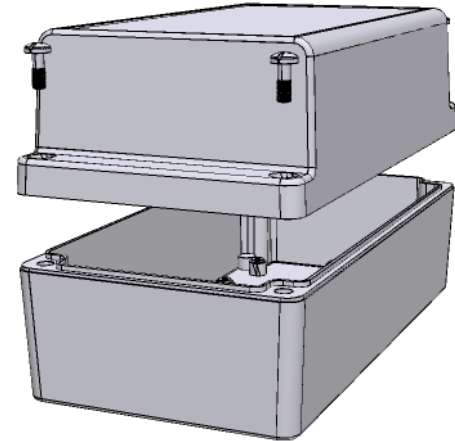
8 | 7 | 6 | 5 | 4 | 3 | 2 | 1



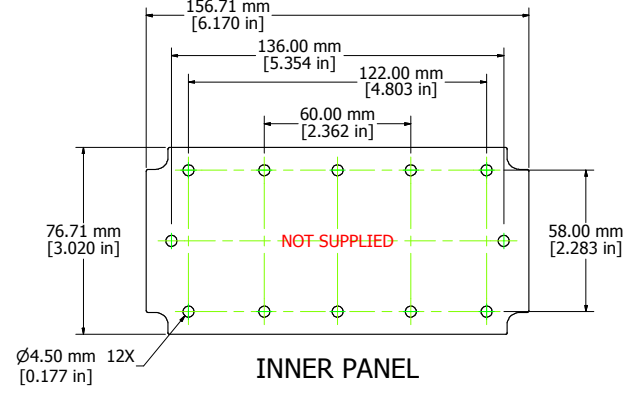
ASSEMBLY - TOP



SECTION A-A

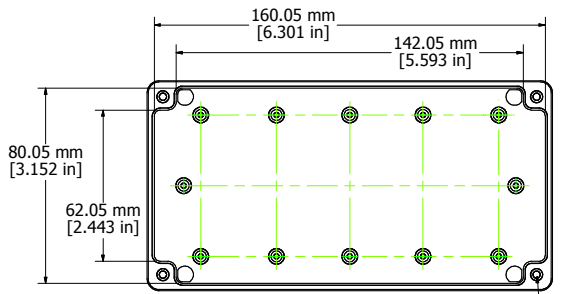


SECTION B-B

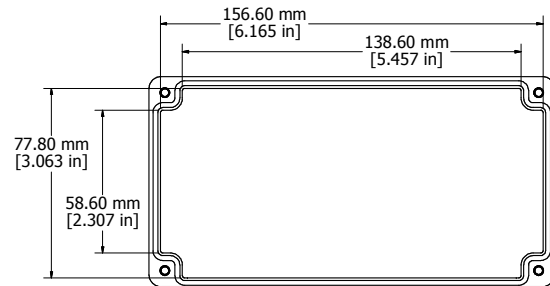


INNER PANEL

Enclosures can be Factory Modified ( Milling, Drilling, Printing etc. )  
 Contact Factory [mjm@hammondmfg.com](mailto:mjm@hammondmfg.com) for quotes  
 Solid models of this enclosure available in STEP or IGES.



BOX - INSIDE



LID - INSIDE

M3.5 Stainless Steel Lid Insert  
 Type 304 Stainless 4X

<b>RP1185</b>
Material: ABS (UL94-HB), Light Gray Color
Lid Screws: M3.5 x 10, 304 Stainless
Gasket: EDPM Cord.
Circuit Board Screws, 4 Supplied (M3 self tap)
Suggested Lid Screw Torque: 30 ozf-in (21 cN-m)



**HAMMOND  
 MANUFACTURING™**

**RP1185**

[www.hammondmfg.com](http://www.hammondmfg.com)

8 | 7 | 6 | 5 | 4 | 3 | 2 | 1