

- Enclosed power supply with screw terminal connection
- Certification according to IEC/EN/ES 60601-1 3rd edition for 2×MOPP
- Low leakage current <75 µA rated for BF applications
- Risk management process according to ISO 14971 including risk management file
- Acceptance criteria for electronic assemblies according to IPC-A-610 Level 3
- EMC emission to IEC 60601-1-2-ed.4
- Protection class I and II
- Operating up to 5000 m altitude
- Ready to meet ErP directive, < 0.15 W no load power consumption
- 5 year product warranty



Open frame version with pin connection see TPP 65A Series



The TPP 65 Series of 65 Watt AC/DC power supplies feature a reinforced double I/O isolation system according to latest medical safety standards (60601-1 3rd edition, 2 × MOPP). The earth leakage current is below 75 µA what makes the units suitable for BF (body floating) applications.

The excellent efficiency of up to 92% allows a high power density for the standard 2.44" x 3.0" packaging format. The full load operating temperature range is -40°C to +60°C while it goes up to 85°C with 50% load derating (for single output models). The EMC characteristic is dedicated for applications in industrial and domestic fields.

High reliability is provided by use of industrial quality grade components and an excellent thermal management. It makes the products an ideal solution for medical devices and for demanding safety and space critical applications.

[www.tracopower.com/overview/tpp65a](http://www.tracopower.com/overview/tpp65a)

Models							
Order code	Output voltage			Output current max. *2			Efficiency max.
	Vout 1 *1	Vout 2	Vout 3	Iout 1	Iout 2	Iout 3	
TPP 65-105	5 VDC			10.0 A			90 %
TPP 65-112	12 VDC			5.42 A			92.5 %
TPP 65-115	15 VDC			4.34 A			93.5 %
TPP 65-124	24 VDC			2.71 A			93.5 %
TPP 65-221	+12 VDC	+5 VDC		5.42 A	8 A		90 %
TPP 65-231	+15 VDC	+5 VDC		4.34 A	8 A		90.5 %
TPP 65-251	+24 VDC	+5 VDC		2.71 A	8 A		89 %
TPP 65-321M2	+12 VDC	+5 VDC	-12 VDC	5.42 A	8 A	0.6 A	89 %
TPP 65-331M3	+15 VDC	+5 VDC	-15 VDC	4.34 A	8 A	0.6 A	89.5 %
TPP 65-3512	+24 VDC	+5 VDC	+12 VDC	2.71 A	8 A	0.6 A	88.5 %

Note: \*1 Vout 1 is adjustable by ±10% with internal potentiometer  
 \*2 Total power should not exceed 65 Watt for continuous operation  
 - Multi output models have a common ground (not isolated)  
 - Other output voltages are available on request

## Input Specifications

Input voltage range	– AC range (universal input) – DC range	85 – 264 VAC 120 – 370 VDC
Input frequency		47 – 63 Hz
Input current at full load	– at 115 VAC / 230 VAC	1.65 A max. / 0.95 A max.
Input protection		T3.15 A/250 VAC (internal fuse in both line & neutral)
Input inrush current	– at 230 VAC	60 A max.
Zero load power consumption		0.15 W max. (acc. ErP directive)

## Output Specifications

Voltage set accuracy		single output: $\pm 1\%$ multi output: $\pm 1\%$ Vout1 $\pm 2\%$ Vout2, Vout3
Regulation - single output	– Input variation – Load variation (0 - 100%)	0.2% max. 5 VDC model: 0.7% max. other models: 0.5% max.
Regulation - multi output	– Input variation – Load variation (0 - 100%)  – Cross regulation (25% / 100%)	0.2% max. Vout1: 0.5% max. Vout2: 1.5% max. (0.1W to full load: 0.7% max.) Vout3: 0.7% max. 1.5% max.
Minimum load		not required (Vout3 requires 0.5 W on Vout1/Vout2 to be stabilized)
Temperature coefficient		0.02 %/K max.
Hold-up time	– Vin = 115 VAC	16 ms typ.
Start-up time		<1 s
Rise time		20 ms typ.
Ripple and noise (20 MHz bandwidth)	– Single output models – Multi output models	5-15 VDC models: 75 mVp-p typ. w. cap. 10 $\mu$ F/25V 1206 X7R MLCC 24 VDC model: 75 mVp-p typ. w. cap. 1 $\mu$ F/50V 1206 X7R MLCC Vout 1: 12 VDC: 120 mVp-p typ. w. cap. 1 $\mu$ F/50V 1206 X7R MLCC Vout 1: 15 VDC: 150 mVp-p typ. w. cap. 1 $\mu$ F/50V 1206 X7R MLCC Vout 1: 24 VDC: 240 mVp-p typ. w. cap. 1 $\mu$ F/50V 1206 X7R MLCC Vout 2: 5 VDC: 100 mVp-p typ. w. cap. 10 $\mu$ F/25V 1206 X7R MLCC Vout 3: (+/-)12 VDC: 120 mVp-p typ. w. cap. 10 $\mu$ F/25V 1206 X7R MLCC Vout 3: -15 VDC: 150 mVp-p typ. w. cap. 10 $\mu$ F/25V 1206 X7R MLCC
Overvoltage protection		125 – 140% of nominal Vout
Overload protection by current limit		single output models: at 145% Iout typ. multi output models: at 145% Pout1 + Pout2
Short circuit protection		hiccup mode (automatic recovery)
Transiente response	– Peak deviation – Recovery time	Vout1: 3% max. (25% load step change) 600 $\mu$ s typ.
Capacitive load	– Single output  – Dual output  – Tripple output	5 VDC model: 20'000 $\mu$ F max. 12 VDC model: 4520 $\mu$ F max. 15 VDC model: 2895 $\mu$ F max. 24 VDC model: 1130 $\mu$ F max. +12 / +5 VDC model: 2500 $\mu$ F / 3000 $\mu$ F max. +15 / +5 VDC model: 1600 $\mu$ F / 3000 $\mu$ F max. +24 / +5 VDC model: 625 $\mu$ F / 3000 $\mu$ F max. +12 / +5 / -12 VDC model: 2500 $\mu$ F / 3000 $\mu$ F / 500 $\mu$ F max. +15 / +5 / -15 VDC model: 1600 $\mu$ F / 3000 $\mu$ F / 400 $\mu$ F max. +24 / +5 / +12 VDC model: 625 $\mu$ F / 3000 $\mu$ F / 500 $\mu$ F max.

All specifications valid at nominal input voltage, full load and +25°C after warm-up time unless otherwise stated.

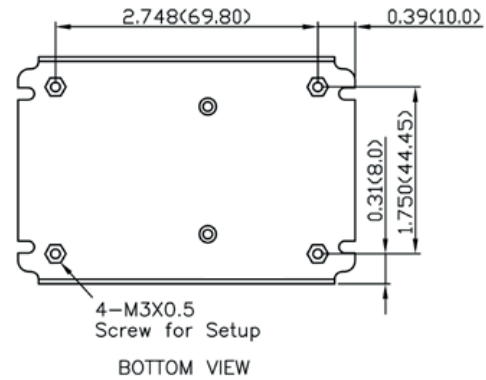
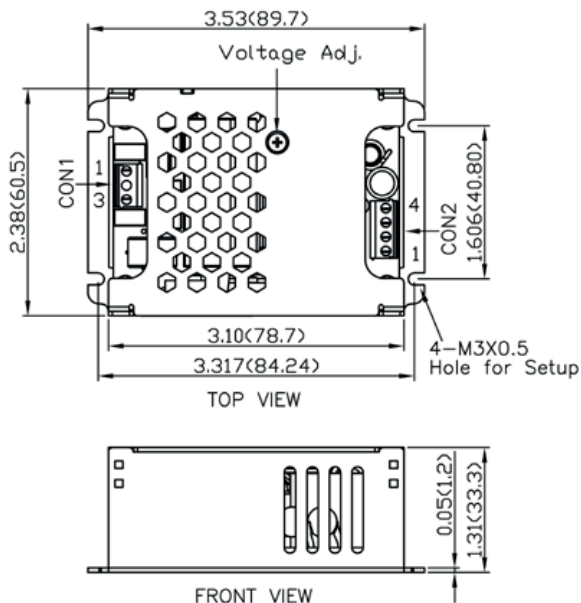
## General Specifications

Operating temperature		-40°C to +85°C with derating
Output power derating	<ul style="list-style-type: none"> <li>- Temperature</li> <li>- Low input voltage</li> </ul>	single output: 2 %/K above +60°C at 230 VAC 2 %/K above +55°C at 115 VAC multi output: 1.67 %/K above +55°C at 230 VAC 1.71 %/K above +50°C at 115 VAC 1.33 %/V below 100 VAC
Storage temperature		-40°C to +85°C
Humidity (non condensing)		5 – 95 % rel. H max.
Altitude during operation		5000 m max.
Switching frequency - single output (at 230 VAC)		5 VDC model: 60 kHz typ. (pulse frequency modulation) 120 kHz typ. (pulse frequency modulation)
Switching frequency - multi output (at 230 VAC)	<ul style="list-style-type: none"> <li>- Vout 1</li> <li>- Vout 2</li> <li>- Vout 3</li> </ul>	other models: 115 kHz typ. (pulse frequency modulation) 750 kHz typ. (pulse frequency modulation) 510 kHz typ. (pulse frequency modulation)
Isolation voltage (2 × MOPP insulation)	<ul style="list-style-type: none"> <li>- Input / Output (60 s)</li> <li>- Input / Case (60 s)</li> </ul>	4000 VAC 2500 VAC
Leakage current (at 264 VAC/60Hz)		75 µA max.
Isolation resistance (at 500 VDC)		100 MOhm min.
Reliability	- calculated MTBF at +25°C acc. to IEC 61709	1'500'000 h for single output models 1'000'000 h for multi output models
Protection class		class II prepared
Electromagnetic compatibility (EMC), emissions	<ul style="list-style-type: none"> <li>- Conducted &amp; Radiated input suppression</li> <li>- Harmonic current emissions</li> <li>- Voltage flicker</li> </ul>	EN 55011 limits to IEC 60601-1-2 4th editon EN 55032 class B (internal filter) IEC / EN 61000-3-2, class B IEC / EN 61000-3-3, class B
Electromagnets compatibility (EMC), immunity	<ul style="list-style-type: none"> <li>- Electrostatic discharge ESD</li> <li>- RF field immunity</li> <li>- Electrical fast transients/burst immunity</li> <li>- Surge</li> <li>- Conducted RF</li> <li>- Magnetic field (only for single output models)</li> </ul>	IEC / EN 60601-1-2 IEC / EN 61000-4-2, 8kV/15kV perf. criteria A IEC / EN 61000-4-3, 20V/m perf. criteria A IEC / EN 61000-4-4, ± 2kV perf. criteria A IEC / EN 61000-4-5, ± 1kV/± 2kV perf. criteria A IEC / EN 61000-4-6, 20 Vrms perf. criteria A IEC / EN 61000-4-8, 10A/m perf. criteria A
Voltage dip and interruptions according to EN 60601-1-2 reference: 100 VAC / 50Hz		30%, 500ms perf. criteria A 60%, 100ms perf. criteria B > 95%, 10ms perf. criteria A > 95%, 5000ms perf. criteria B
Safety standards and certification	<ul style="list-style-type: none"> <li>- Certification documents</li> </ul>	IEC/EN 60601-1 3rd edition, ANSI/AAMI ES60601-1:2005(R)2012 <a href="http://www.ul.com">www.ul.com</a> file e188913 <a href="http://www.tracopower.com/overview/tpp65">www.tracopower.com/overview/tpp65</a>
Environment	<ul style="list-style-type: none"> <li>- Vibration acc. IEC 60068-2-6</li> <li>- Shock acc. IEC 60068-2-27</li> </ul>	3 axis, sine sweep, 10–55Hz, 1g, 1oct/min 3 axis, 10g half sine, 11msShock 20 G (3 directions each 3 times)
Environmental compliance	<ul style="list-style-type: none"> <li>- Reach</li> <li>- RoHS</li> </ul>	<a href="http://www.tracopower.com/info/reach-declaration.pdf">www.tracopower.com/info/reach-declaration.pdf</a> RoHS directive 2011/65/EU
Connection		screw terminal / pin connector

All specifications valid at nominal input voltage, full load and +25°C after warm-up time unless otherwise stated.

### Outline Dimensions

#### Single output:

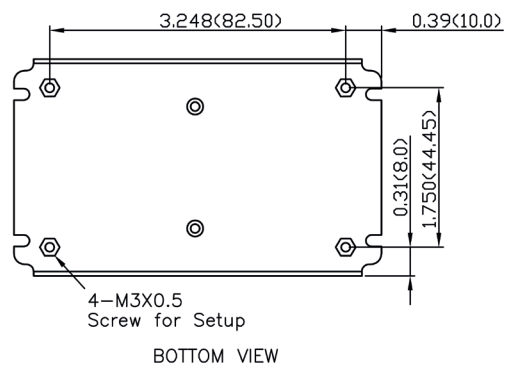
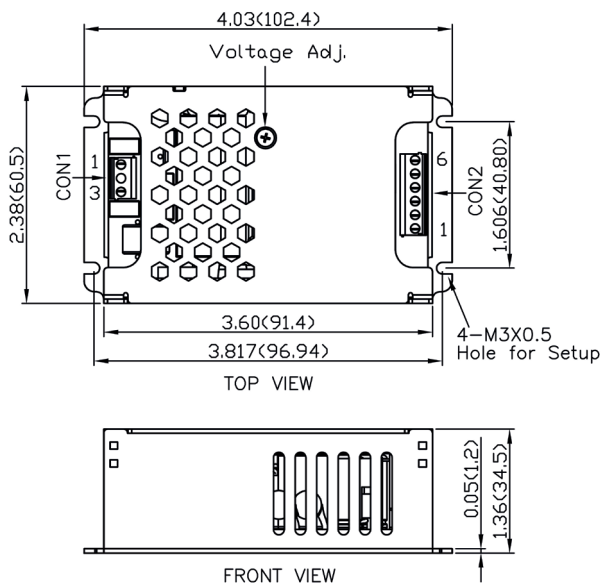


Screw Terminal			
Input		Output	
Pin	Single	Pin*	Dual
1	Line	1,2	-Vout
3	Neutral	3,4	+Vout

**Weight:** 172g (6.07 oz)

\*Terminal rated for 10 A max.  
(at higher current connection has to be split)

#### Multi output:



Screw Terminal				
Input		Output		
Pin	Single	Pin*	Dual	Triple
1	Line	1	nc	Vout 3
3	Neutral	2,3	Com	Com
		4,5	Vout 2	Vout 2
		6	Vout 1	Vout 1

**Weight:** 221g (7.90 oz)

\*Terminal rated for 10 A max.  
(at higher current connection has to be split)

Dimensions in inch, () = mm  
 Tolerances: x.xx±0.02 (x.x±0.5) x.xxx±0.01 (x.xx±0.25)  
 Wire dimensions range 26 - 16 AWG  
 M3x0.5 screw locked torque MAX 5Kgf.cm/0.49N.m  
 Terminal screw locked torque MAX 2Kgf.cm/0.2N.m