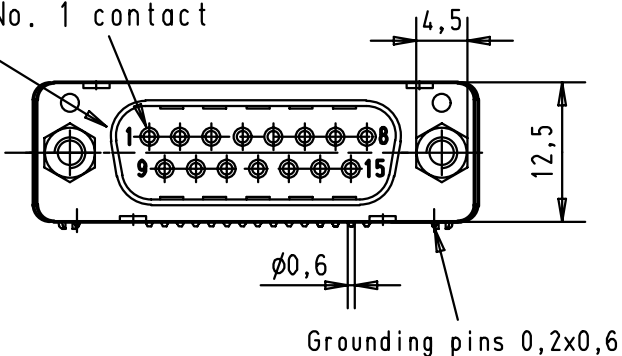
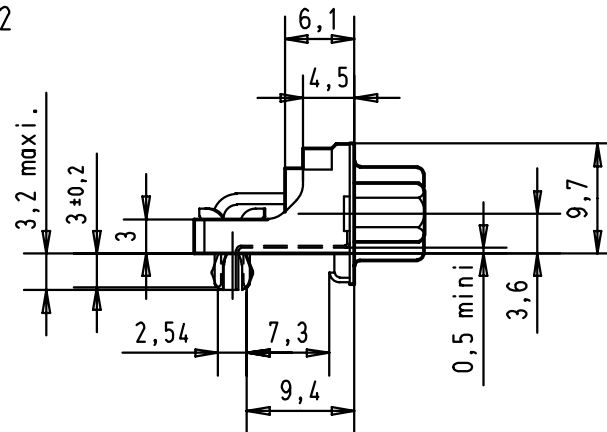


Mating face according to MIL-C-24308 / DIN 41 652 / CECC 75301-802

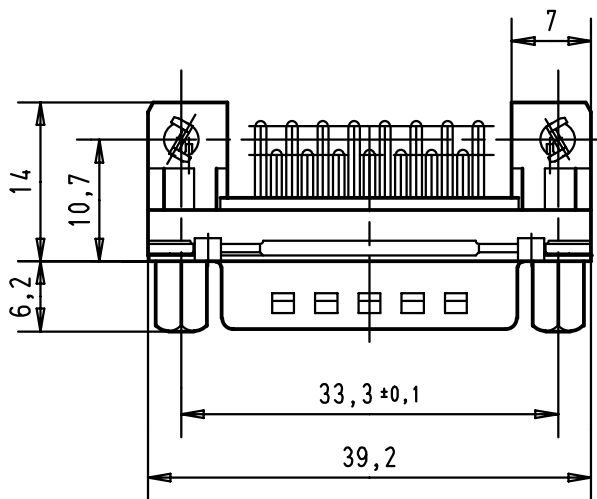
No. 1 contact



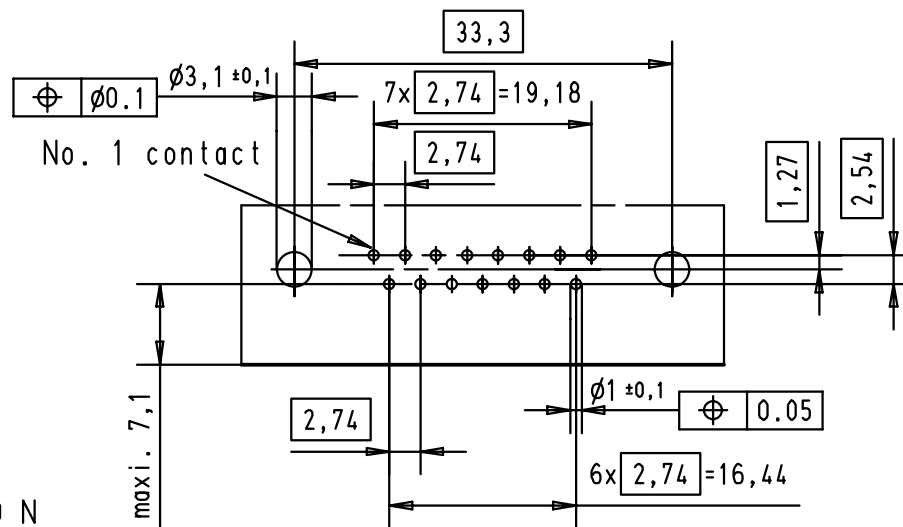
Grounding pins 0,2x0,6



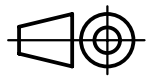

Printed board layout (1,6±0,2 thick)  
View component side  
(PCB plating = Tin)



Mounting force on Printed board : 25 - 80 N



D  
C  
B  
A

						Dat.	Name	 All Dim. in mm Orig. Size DIN A 4	D-Sub male low profile 15 poles with solder pins, screw-lock, board lock and grounding pins	Maßstab/ Scale  1,5:1
					Detail.	23-NOV-01	JB			
					Insp.					
09 66 262 6817	4-40 UNC	2								
09 66 262 7817	4-40 UNC	3								
09 66 262 5817	4-40 UNC	0,76 µm Au	29733	23-NOV-01	JB					
Part number	screw-lock	Performance level	Mod.	Dat.	Name	HARTING EURL F-95972 Paris 			TB 09 66 262 X81x Sub.	Blatt/ Page 5