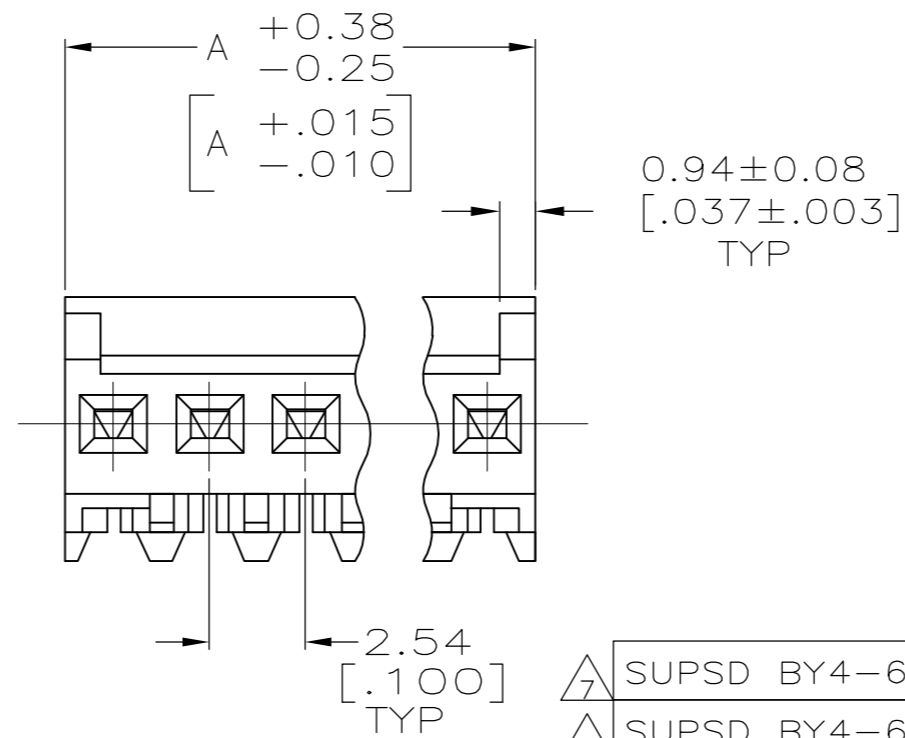
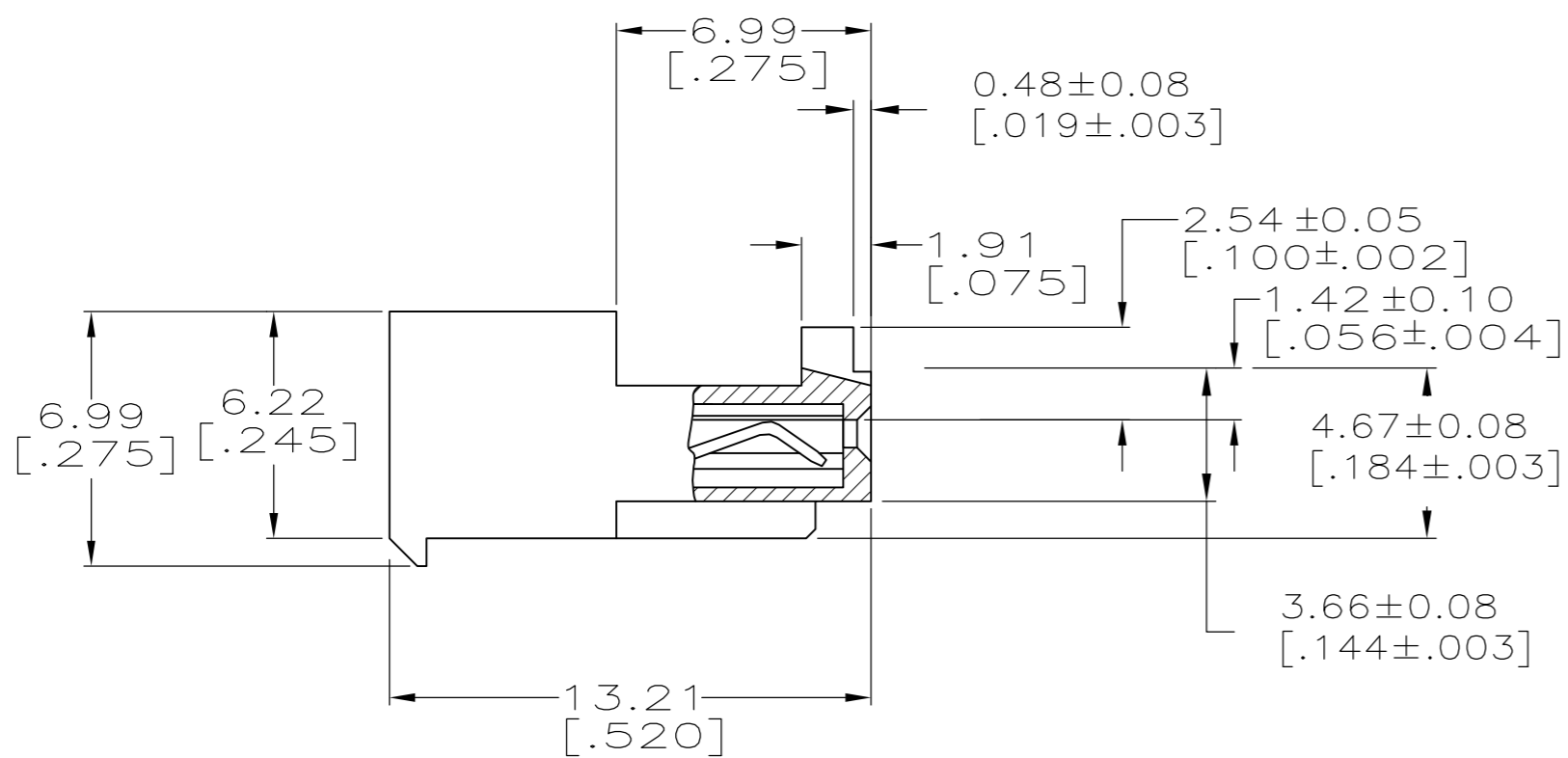
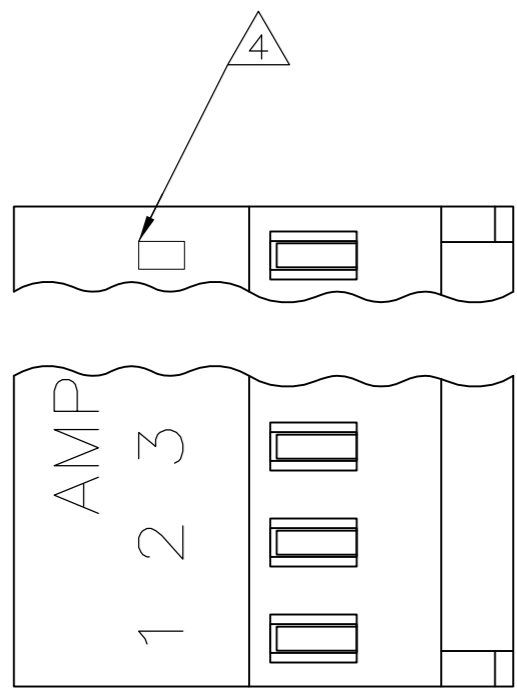


THIS DRAWING IS UNPUBLISHED. RELEASED FOR PUBLICATION
 © COPYRIGHT - By - ALL RIGHTS RESERVED.

LOC		DIST		REVISIONS			
P	LTR	DESCRIPTION		DATE	DWN	APVD	
CM	00	H2		REVISED PER ECO-11-004820	11MAR11	RK HMR	



LEAD	LEAD		NO. OF POSN	ASSEMBLY
	DIM A	NO. OF POSN		
15	38.10 [1.500]	15	4-644083-5	
14	35.56 [1.400]	14	4-644083-4	
13	33.02 [1.300]	13	4-644083-3	
12	30.48 [1.200]	12	4-644083-2	
11	27.94 [1.100]	11	4-644083-1	
10	25.40 [1.000]	10	4-644083-0	
9	22.86 [.900]	9	3-644083-9	
8	20.32 [.800]	8	3-644083-8	
7	17.78 [.700]	7	3-644083-7	
6	15.24 [.600]	6	3-644083-6	
5	12.70 [.500]	5	3-644083-5	
4	10.16 [.400]	4	3-644083-4	
3	7.62 [.300]	3	3-644083-3	
2	5.08 [.200]	2	3-644083-2	

1 MATERIAL: CONNECTOR-NYLON UL94V-0 (BLACK)
 CONTACTS-0.30 [.012] THICK COPPER ALLOY
 BRIGHT TIN-LEAD 0.00203 [.000080] MIN THICK FOR CONTACTS
 644083-2 THRU 1-644083-5
 MATTE WHISKER MITIGATED TIN PLATE 0.00203 [.000080] MIN THICK
 OVER 0.00076 [.000030] MIN THICK NICKEL FOR CONTACTS
 3-644083-2 THRU 4-644083-5

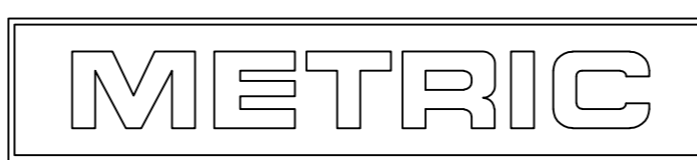
2. CONTACTS ACCEPT 22 AWG WIRE WITH 1.52 [.060] MAX INSULATION DIAMETER.
 3. CONTACTS MUST ACCEPT 0.64±0.03 [.025±.001] SQUARE POST AND REMAIN LOCKED IN POSITION.
 4 IDENTIFICATION NUMBER FOR LAST CIRCUIT MAY NOT APPEAR ON ALL ASSEMBLIES.

5. DIMENSIONS IN BRACKETS ARE IN INCHES.

6. HOUSING FEATURES ARE: CLOSED END WITH LOCKING RAMP AND WITH POLARIZING TAB.

7 OBSOLETE PARTS: OBSOLETE CIS STREAMLINING PER D.RENAUD/D.SINISI

- ▲ SUPSD BY4-644083-5
- ▲ SUPSD BY4-644083-4
- ▲ SUPSD BY4-644083-2
- ▲ SUPSD BY3-644083-9
- ▲ SUPSD BY3-644083-7



THIS DRAWING IS A CONTROLLED DOCUMENT.		DWN S. CARPENTER 12JUN2003	STE TE Connectivity
DIMENSIONS: mm [INCHES]		CHK D. BOSSI 12JUN2003	
TOLERANCES UNLESS OTHERWISE SPECIFIED:		APVD D. BOSSI 12JUN2003	NAME MTA 100 CONNECTOR ASSEMBLY, 22 AWG, UL94V-0, SPECIAL
0 PLC ±		PRODUCT SPEC 108-1050	
1 PLC ±		APPLICATION SPEC 114-1019	SIZE A2
2 PLC ±		WEIGHT	CAGE CODE 00779
3 PLC ± 0.13 [.005]		FINISH	DRAWING NO C-644083
4 PLC ±			RESTRICTED TO -
ANGLES ±			SCALE 5:1
MATERIAL			SHEET 1 OF 1
▲			REV H2