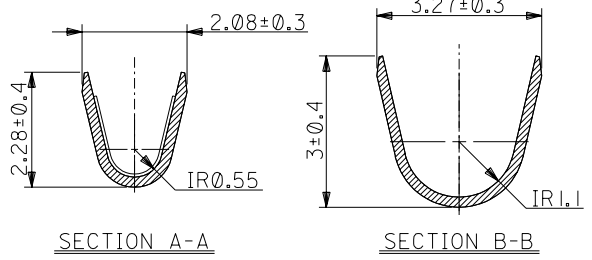
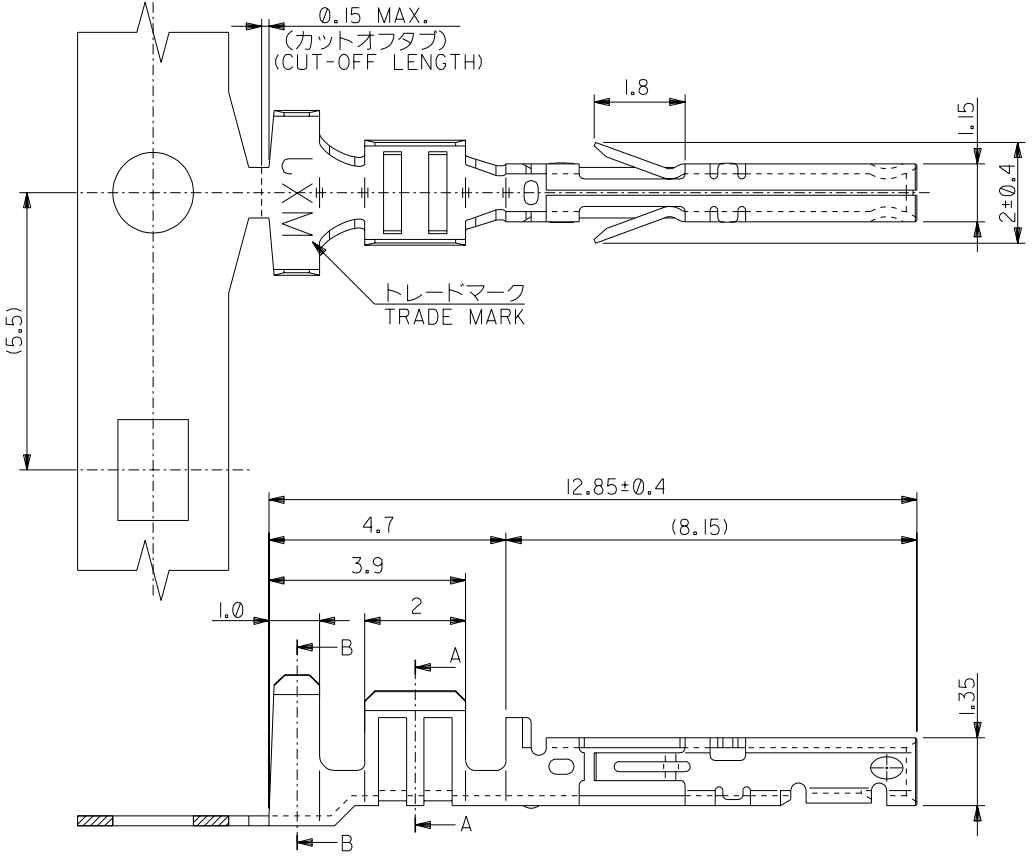
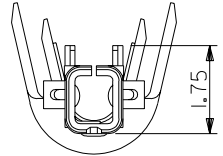


DWG. NO.
SD-56121-001



注記
NOTES

1. 材質
MATERIAL
りん青銅 (板厚: 0.2)
PHOSPHOR BRONZE (THICKNESS : 0.2)
2. メッキ仕様
TERMINAL PLATING
接点部 : 金メッキ 0.25 μm MIN.
CONTACT AREA : GOLD 0.25 μm MIN.
圧着部 : 半田メッキ 1.0 μm MIN.
CRIMP AREA : TIN-LEAD 1.0 μm MIN.
下地メッキ : ニッケルメッキ 2 μm MIN.
UNDER PLATE : NICKEL 2 μm MIN.
3. 適用電線: UL1007, AWG #18~22
APPLICABLE WIRE RANGE : UL1007, AWG#18~22
4. 被覆外径: φ2.2 MAX.
INSULATION EXTERNAL DIA : φ2.2 MAX.
5. 適用ハウジング: 51238-****, 51239-****
APPLICABLE HOUSING : 51238-****, 51239-****



| | | |
|--------------------------------|--------------|------------|
| バラ状 LOOSE | 56121-8590 | 56121-8*** |
| 連鎖状 CHAIN | 56121-8490 | |
| 端子形状 TERMINAL CONFIGURATION | MATERIAL No. | MODEL No. |

DO NOT SCALE DRAWING

| | | | | |
|----------------------------------|----------------------------------|----------------------------------|----------------------------------|----------------------------------|
| EC NO. DRWN: CHK: APPR: | EC NO. DRWN: CHK: APPR: | EC NO. DRWN: CHK: APPR: | EC NO. DRWN: CHK: APPR: | EC NO. DRWN: CHK: APPR: |
| | | | | |

RELEASED/03/06/20
EC NO. J2003-3240
DRWN: S.AKIYAMA
CHK: J.MIYAZAWA
APPR: YO.ITO

| | |
|----------------------|-------------------|
| MATERIAL 材料 | 注記参照 SEE NOTES |
| FINISH 仕上げ | # |
| WIRE RANGE 適用電線範囲 | # |
| INS. RANGE 被覆外径 | # |

| | | |
|---|-------|---|
| GENERAL TOLERANCES: (UNLESS SPECIFIED) 一般公差 | SCALE | DESIGN UNITS |
| 10 UNDER 未満 | ~ | mm <input checked="" type="checkbox"/> INCH <input type="checkbox"/> |
| 10 OVER 30 UNDER 未満 | ±0.2 | THIRD ANGLE PROJECTION |
| 30 OVER 以上 | ±0.25 | <input type="checkbox"/> mm <input type="checkbox"/> INCH <input checked="" type="checkbox"/> |
| ANGLE 角度 | ±3° | |

DRAWN BY & DATE
S. Akigama 03/01/29
CHECKED BY & DATE
J. Morawo
APPROVED BY & DATE
Y. Ito
CAD FILENAME
SD-56121-001.S01

| | | | | |
|--|--------------|-----------|-----|-----|
| DIMENSIONS: <input type="checkbox"/> mm <input type="checkbox"/> INCH <input checked="" type="checkbox"/> mm ONLY | | | SHT | REV |
| TITLE: COMPACT ROBOT CONN. (CRC) CRIMP SOCKET | | | | |
| MOLEX MOLEX INCORPORATED | | | | |
| MATERIAL NO. | DRAWING NO. | SHEET NO. | | REV |
| SEE CHART | SD-56121-001 | 1 OF 1 | | B |

THIS DRAWING CONTAINS INFORMATION THAT IS PROPRIETARY TO MOLEX INCORPORATED AND SHOULD NOT BE USED WITHOUT WRITTEN PERMISSION.