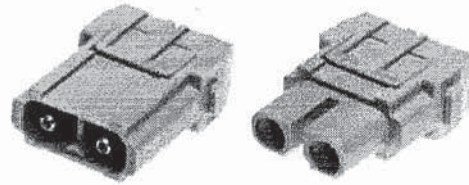
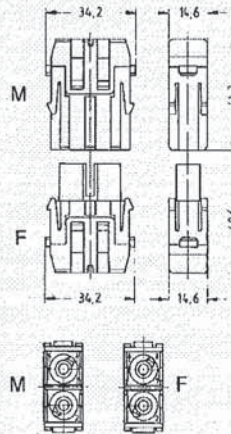


Number of contacts

2



Identification	Part number		Drawing	Dimensions in mm
	Male insert (M)	Female insert (F)		
Axial screw terminal 40 A			 <p>Contact arrangement view from termination side</p>	
2.5 ... 8 mm ²	09 14 002 2604	09 14 002 2704		
6 ... 10 mm ²	09 14 002 2605	09 14 002 2705		

Han
Modular

Identification	Part number	Drawing	Dimensions in mm
Hex key SW 2 for axial setscrew			
with grip	09 99 000 0313		
Bit 1/4"	09 99 000 0369		



Features

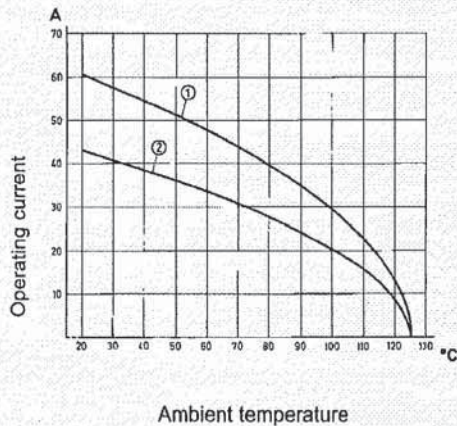
- Axial-screw termination
- No special tools required

Han
Modular

Current carrying capacity

The current carrying capacity of the connectors is limited by the thermal load capability of the contact element material including the connections and the insulating parts. The derating curve is therefore valid for currents which flow constantly (non-intermittent) through each contact element of the connector evenly, without exceeding the allowed maximum temperature.

Measuring and testing techniques according to DIN EN 60 512-5



① 24 B hoods/housings with 6 modules; wire gauge: 10 mm²

② 24 B hoods/housings with 6 modules; wire gauge: 6 mm²

Technical characteristics

Specifications DIN EN 60 664-1
DIN EN 61 984

Approvals

Inserts

Number of contacts 2
Electrical data
acc. to EN 61 984 **40 A 1000 V 8 kV 3**
Rated current 40 A
Rated voltage 1000 V
Rated impulse voltage 8 kV
Pollution degree 3
Pollution degree 2 also 40 A 1600 V 12 kV 2

Rated voltage
acc. to UL 600 V
Insulation resistance ≥ 10¹⁰ Ω
Material polycarbonate
Limiting temperatures -40 °C ... +125 °C
Flammability acc. to UL 94 V 0
Mechanical working life
- mating cycles ≥ 500

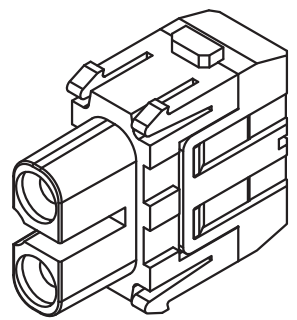
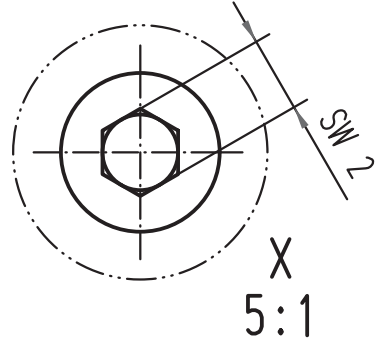
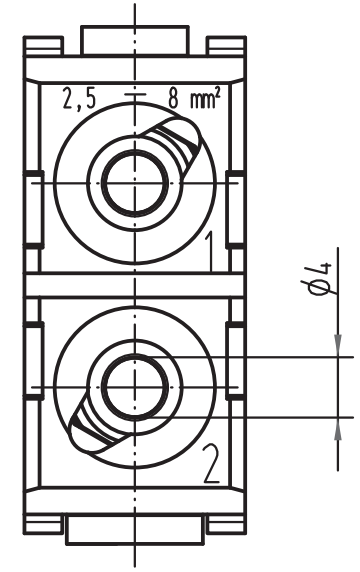
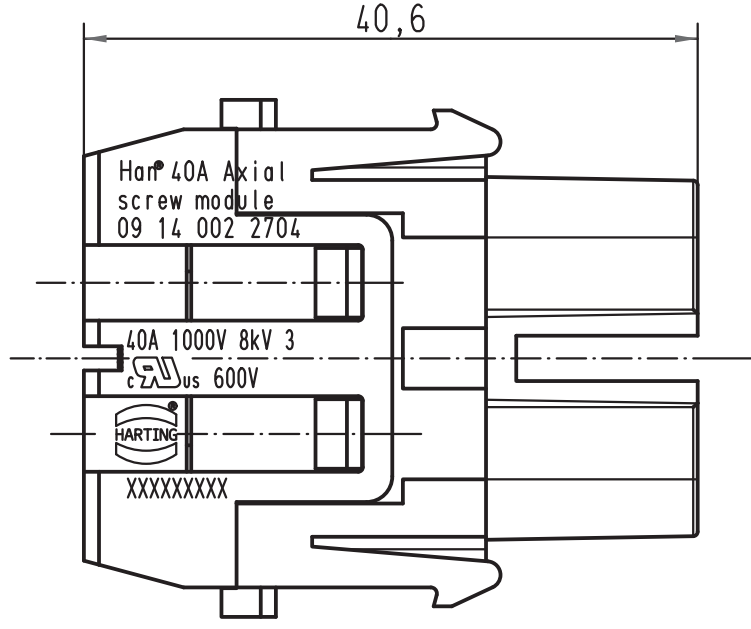
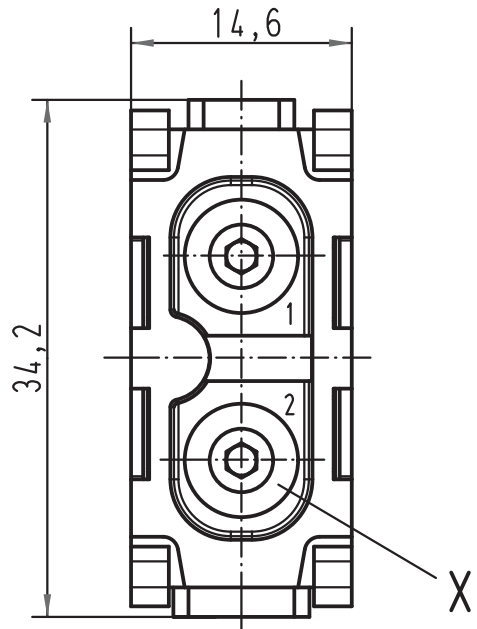
Contacts

Material copper alloy
Surface
- hard-silver plated 3 μm Ag
Contact resistance 0.5 mΩ
Screw terminal
- Wire gauge 1) 2.5 ... 10 mm²
- AWG 14 ... 8
- Hexagonal driver SW 2
- Stripping length

mm ²	2.5	4	6	10
mm	5 ⁺¹	5 ⁺¹	8 ⁺¹	11 ⁺¹

- Tightening torque

mm ²	2.5	4	6	10
Nm	1.5	1.5	2	2



für Litze 2,5-8mm², AWG14-8, feindrähtig
 for stranded wire 2,5-8mm², AWG14-8, fine wire

All Dimensions in mm Original Size DIN A 4		Techn. Character.			Nicht tolerierte Maße! Free size tolerances	
			Dat.	Name	Maßstab/Scale 2:1	Han 40A Axial screw modul mit Rasthaken/with snap arm Buchseneinsatz/female insert
			Detail.	08.12.08 Rull		
			Insp.	Be		
			Stand.			
A			HARTING Electric GmbH & Co. KG D-32339 Espelkamp			TB 09 14 002 2704
Mod.	Dat.	Name				