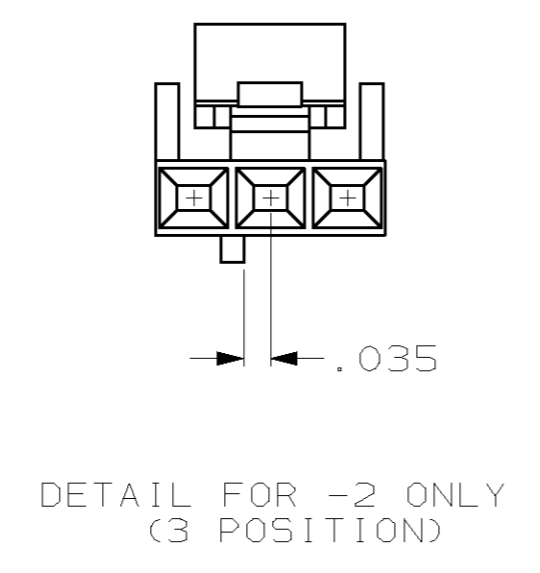
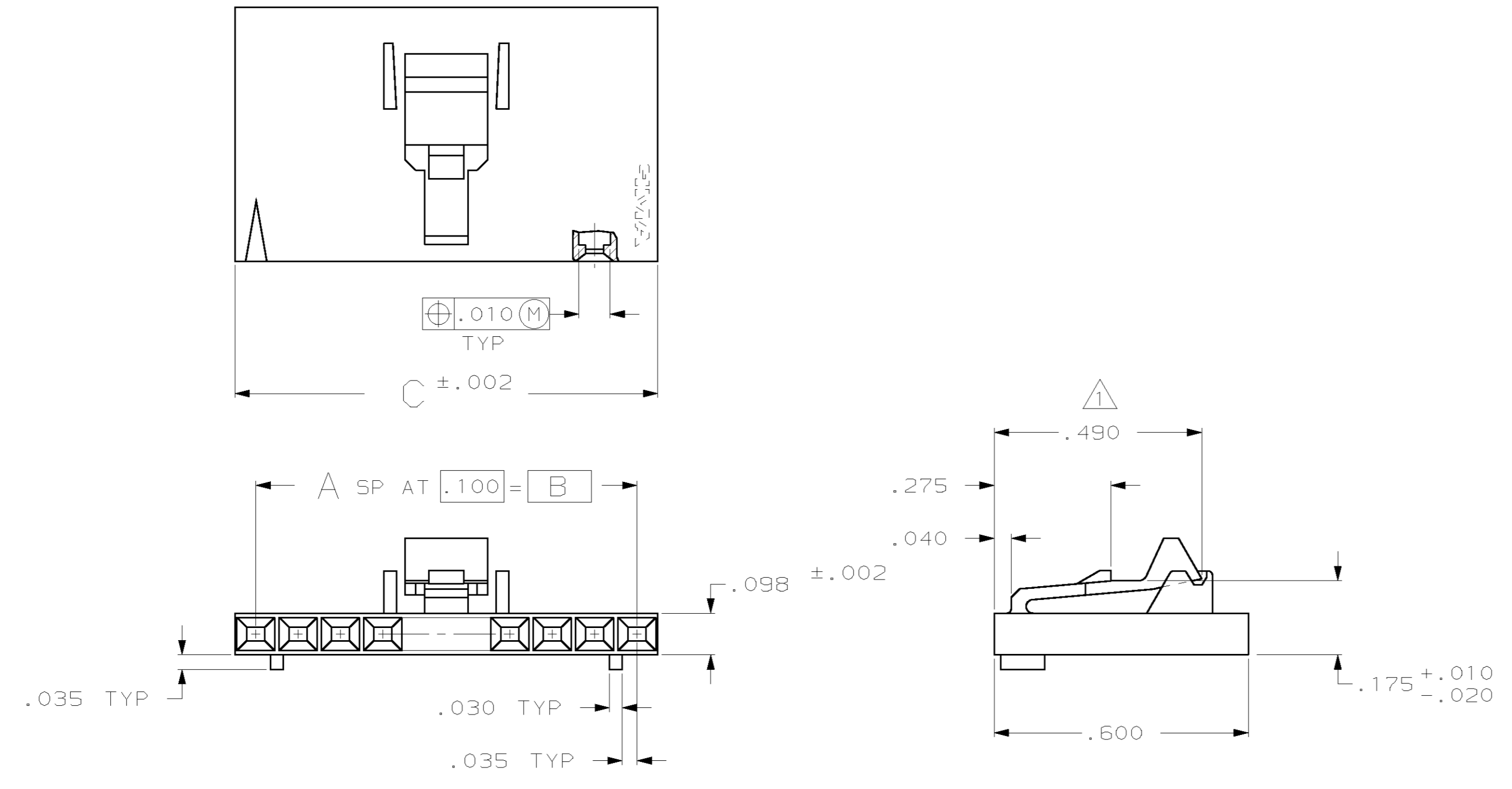


THIS DRAWING IS UNPUBLISHED. RELEASED FOR PUBLICATION  
 BY AMP INCORPORATED, ALL RIGHTS RESERVED.

LOC	DIST	REVISIONS			
P	LTR	DESCRIPTION	DATE	DWN	APVD
AD	39	B	REV PER 063C-0367-04	16AUG04	RB JG

△1 THIS DIMENSION .480 FOR 2 POSN ONLY  
 △2 PRELIMINARY PART - NOT RELEASED FOR PRODUCTION.



△2	.998	.900	9	10	104920-9
△2	.898	.800	8	9	104920-8
	.498	.400	4	5	104920-4
	.398	.300	3	4	104920-3
	.298	.200	2	3	104920-2
	C	B	A	NO OF POSN	PART NUMBER

DIMENSIONS:		TOLERANCES UNLESS OTHERWISE SPECIFIED:		DWN		AMP	
in		0 PLC ±		J.HERRINGTON 2-8-95		AMP Incorporated	
		1 PLC ±		CHK J.GESFORD 2-8-95		Harrisburg, PA 17105-3608	
		2 PLC ±		APVD D. DUPLER 2-8-95		NAME	
		3 PLC ±.005		PRODUCT SPEC		RECEPTACLE HOUSING, AMPMODU MTE,	
		4 PLC ±		APPLICATION SPEC		SINGLE ROW, .100 CL,	
		ANGLES ±		114-25026		POLARIZED WITH LATCH	
		FINISH -		WEIGHT -		SIZE CAGE CODE DRAWING NO	
MATERIAL				CUSTOMER DRAWING		A2 00779 C-104920	
FLAME RETARDANT POLYCARBONATE						SCALE 4:1 SHEET 1 OF 1 REV B	