

This drawing involves proprietary design rights of Tyco Electronics Corporation, and all design, manufacture, reproduction, use and sale rights regarding the same are expressly reserved. It is submitted for a specific purpose and the recipient by accepting this drawing, assumes custody and control and agrees to take reasonable precautions; (a) that this drawing will not be copied and reproduced, in whole or in part, or its contents revealed in any manner, or to any person except to meet the purpose for which it was delivered and (b) that any special features peculiar to this design will not be incorporated in other projects without the expressed written permission of Tyco Electronics Corporation.

REVISIONS

EC	REV	DESCRIPTION	DATE
0S1Q-0047-05	A	NEW RELEASE	02/16/05

6. MODULE INFORMATION

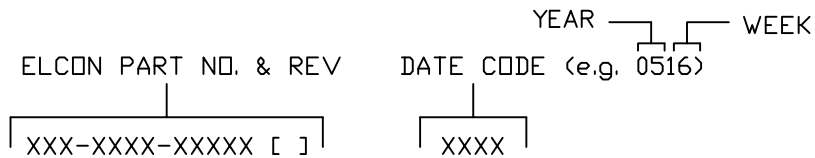
CONNECTOR	TYCO PART NUMBER	ELCON PART NUMBER	CATALOG MODULE #	QTY	SIZE NO.	CONTACT QTY	MATING PIN	MAX. CURRENT (PER CONTACT)	CONTACT SPACING	VOLTAGE RATING*
SOCKET	1766497-1	278-1126-00200A	FP0200	6	8	6	1.25 X 7.00 [.049 X .276]	35 AMPERES	7.50 [2953]	250 VOLTS

*IAW IEC-950

NOTES: UNLESS OTHERWISE SPECIFIED.

- PART NUMBER CHANGES AND OR DESIGN CHANGES AFFECTING ITEM INTERCHANGEABILITY REQUIRE PRIOR ELCON APPROVAL AND AUTHORIZATION BY REVISION TO THIS DRAWING.
- MATERIALS:
 INSULATORS: THERMOPLASTIC, GLASS REINFORCED, COLOR-BLACK, UL94V-0 FLAMMABILITY RATED.
 POWER CONTACTS: PHOSPHOR BRONZE ALLOY.
 CROWN BANDS: BERYLLIUM COPPER ALLOY.
- FINISHES:
 CONTACTS: GOLD PLATED PER MIL-G-45204 TYPE II, CLASS 0, .000030" MIN. THK, OVER NICKEL PER QQ-N-290, CLASS 2, .000040" MIN. THK. SOLDER TAILS, TIN/LEAD (90/10) PER ASTM B 545, .000100" MIN. THICK.

4 ITEMS PROVIDED TO THIS SPECIFICATION TO BE PERMANENTLY IDENTIFIED PER THE FOLLOWING IDENTIFIER:

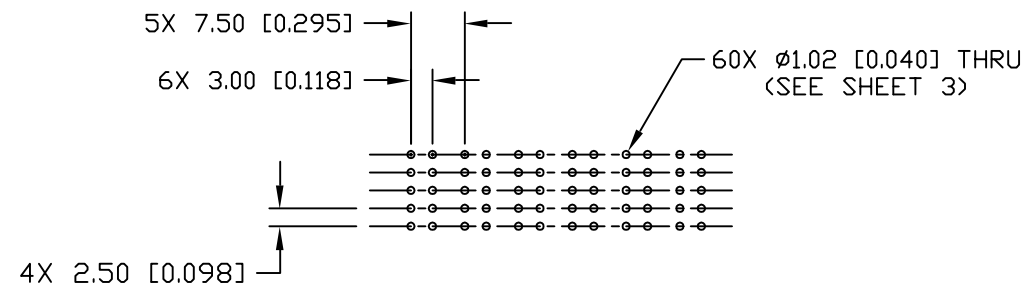
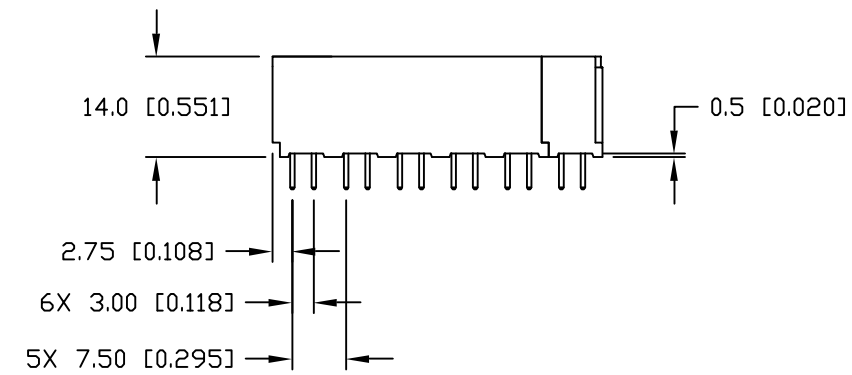
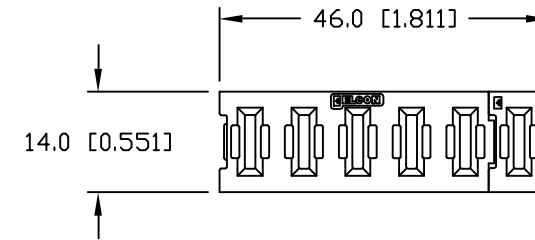
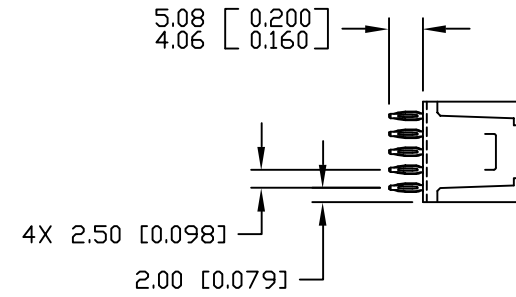


5. THIS CONNECTOR MATES WITH PIN CONNECTOR PN 479-1126-00100.

<p>THIRD ANGLE PROJECTION</p> <p>UNLESS OTHERWISE SPECIFIED DIMENSIONS ARE IN METRIC [INCHES]</p> <p>TOLERANCES</p> <p>ANGLES ± .5°</p> <p>DECIMALS</p> <p>.XX ± .25 [0.010]</p> <p>.X ± .5 [0.020]</p>	<p>MM OR MM [INCH]</p> <p>INCH</p>	<p>DRAWN</p> <p>R. F. A.</p>	<p>DATE</p> <p>11/07/02</p>	<p>tyco Tyco Electronics Corporation ELCON</p> <p>Menlo Park, Ca 94025</p>	
	<p>CHECKED</p>		<p>TITLE</p> <p>SOCKET CONNECTOR, FLATPAQ STRAIGHT, COMPLIANT TAILS PN: 278-1126-00200A</p>		
	<p>APPROVED</p>		<p>APPROVED</p>		
	<p>APPROVED</p> <p>D. CHAU</p> <p>02/16/05</p>		<p>APPROVED</p> <p>M. ALIM</p> <p>02/24/05</p>		
<p>ACAD FILE NUMBER</p> <p>C1766497A.DWG</p>		<p>SIZE</p> <p>B</p>	<p>DWG NUMBER</p> <p>C = 1766497</p>	<p>REV.</p> <p>A</p>	
<p>DWG SCALE</p> <p>1=1</p>			<p>SH 1 OF 3</p>		

This drawing involves proprietary design rights of Tyco Electronics Corporation, and all design, manufacture, reproduction, use and sale rights regarding the same are expressly reserved. It is submitted for a specific purpose and the recipient by accepting this drawing, assumes custody and control and agrees to take reasonable precautions; (a) that this drawing will not be copied and reproduced, in whole or in part, or its contents revealed in any manner, or to any person except to meet the purpose for which it was delivered and (b) that any special features peculiar to this design will not be incorporated in other projects without the expressed written permission of Tyco Electronics Corporation.

REVISIONS			
EC	REV	DESCRIPTION	DATE
		SEE SHEET 1	



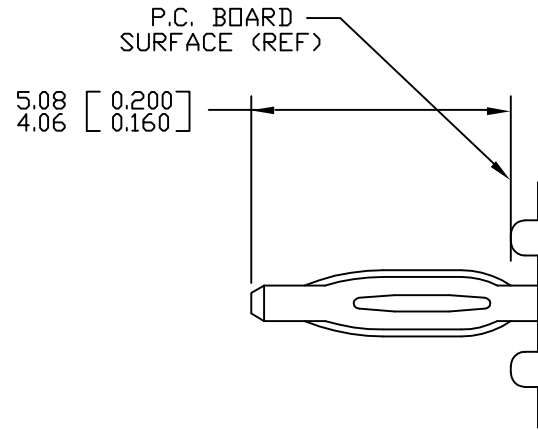
PRINTED CIRCUIT LAYOUT

← MM OR MM [INCH] INCH THIRD ANGLE PROJECTION UNLESS OTHERWISE SPECIFIED DIMENSIONS ARE IN METRIC [INCHES] TOLERANCES ANGLES ± .5° DECIMALS .XX ± .25 [0.010] .X ± .5 [0.020]	DRAWN R. F. A.	DATE 11/07/02	 Tyco Electronics Corporation Menlo Park, Ca 94025 	TITLE SOCKET CONNECTOR, FLATPAQ STRAIGHT, COMPLIANT TAILS PN: 278-1126-00200A	
	CHECKED				SIZE B
	APPROVED		DWG NUMBER C = 1766497		REV. A
	APPROVED D. CHAU 02/16/05 DCA APPROVED M. ALIM 02/24/05 ACAD FILE NUMBER C1766497A.DWG		DWG SCALE 1=1		SH 2 OF 3

This drawing involves proprietary design rights of Tyco Electronics Corporation, and all design, manufacture, reproduction, use and sale rights regarding the same are expressly reserved. It is submitted for a specific purpose and the recipient by accepting this drawing, assumes custody and control and agrees to take reasonable precautions; (a) that this drawing will not be copied and reproduced, in whole or in part, or its contents revealed in any manner, or to any person except to meet the purpose for which it was delivered and (b) that any special features peculiar to this design will not be incorporated in other projects without the expressed written permission of Tyco Electronics Corporation.

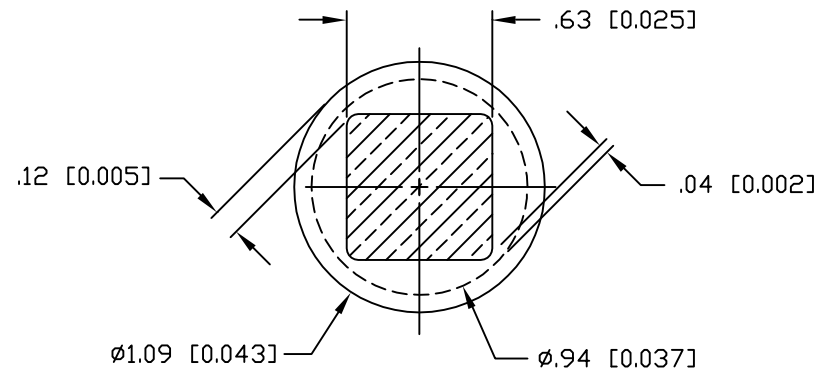
REVISIONS

EC	REV	DESCRIPTION	DATE
		SEE SHEET 1	



COMPLIANT PIN DETAIL
INSERTION/EXTRACTION FORCES

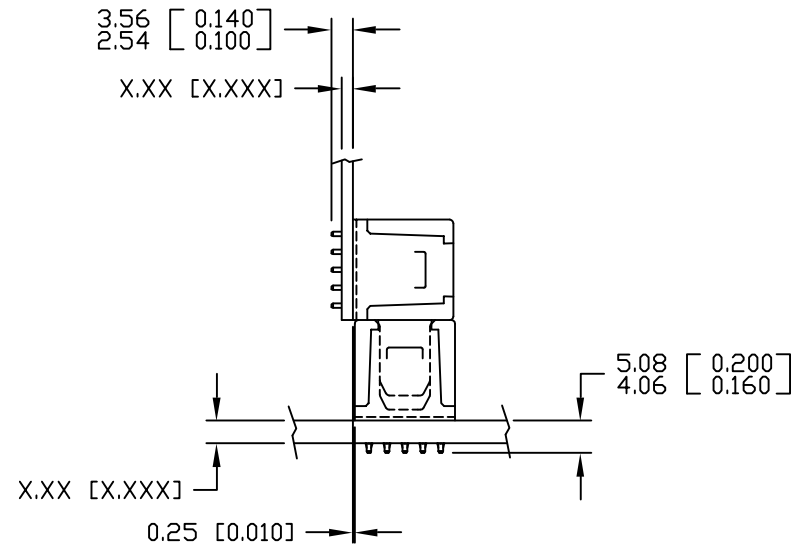
MAXIMUM PUSH-IN: 133.3N PER PIN
[30 LBS]
MINIMUM PUSH-OUT: 44.4N PER PIN
[10 LBS]



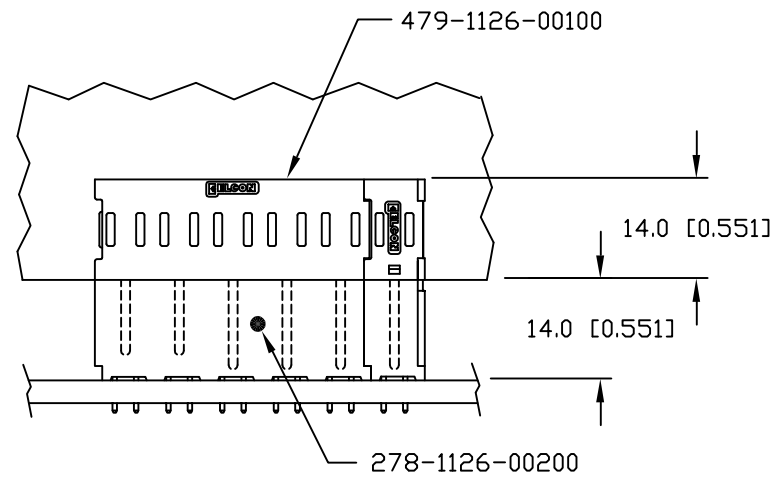
SOLDER TERMINATION AREA

RECOMMENDED PRINTED CIRCUIT HOLE

FINISHED HOLE: $\phi 1.02 [0.040] \pm .08 [0.003]$
DRILLED HOLE: $\phi 1.15 [0.0453] \pm .013 [0.0005]$
COPPER PLATE: .025 [0.0010] MINIMUM (PER SURFACE)
TIN PLATE: .008 [0.0003] MINIMUM (PER SURFACE)



MATED CONDITION



← MM OR MM [INCH] INCH THIRD ANGLE PROJECTION UNLESS OTHERWISE SPECIFIED DIMENSIONS ARE IN METRIC [INCHES] TOLERANCES ANGLES ± .5° DECIMALS .XX ± .25 [0.010] .X ± .5 [0.020]	DRAWN R. F. A.	DATE 11/07/02	 Tyco Electronics Corporation Menlo Park, Ca 94025
	CHECKED		
	APPROVED		
	APPROVED D. CHAU	02/16/05	SIZE B
	DCA APPROVED M. ALIM	02/24/05	DWG NUMBER C = 1766497
	ACAD FILE NUMBER C1766497A.DWG		REV. A
			DWG SCALE 1=1 SH 3 OF 3