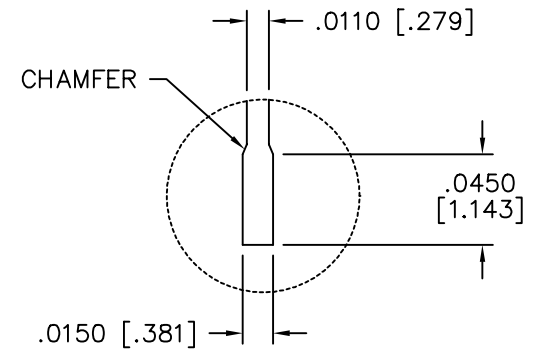
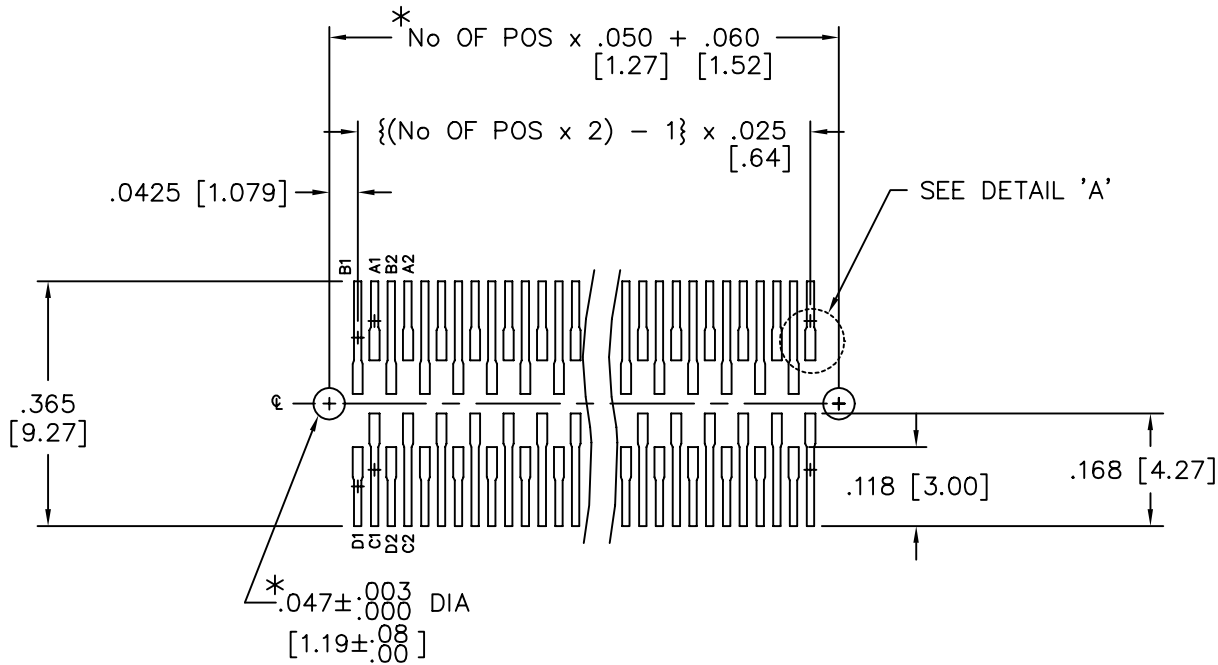


RECOMMENDED BOARD LAYOUT FOR MOLC-SM (QUAD)

REV. D



DETAIL 'A'
SCALE: 3x

* = -LC OPTION: LOCKING CLIP

PLOT SCALE: 1 = .2

10-12-93

MISC\MKTG\FOOTPRINT
MOLC-SM

samtec

810 PROGRESS BLVD. NEW ALBANY, INDIANA 47150
PHONE (812) 944-6733 P.O. BOX 1147