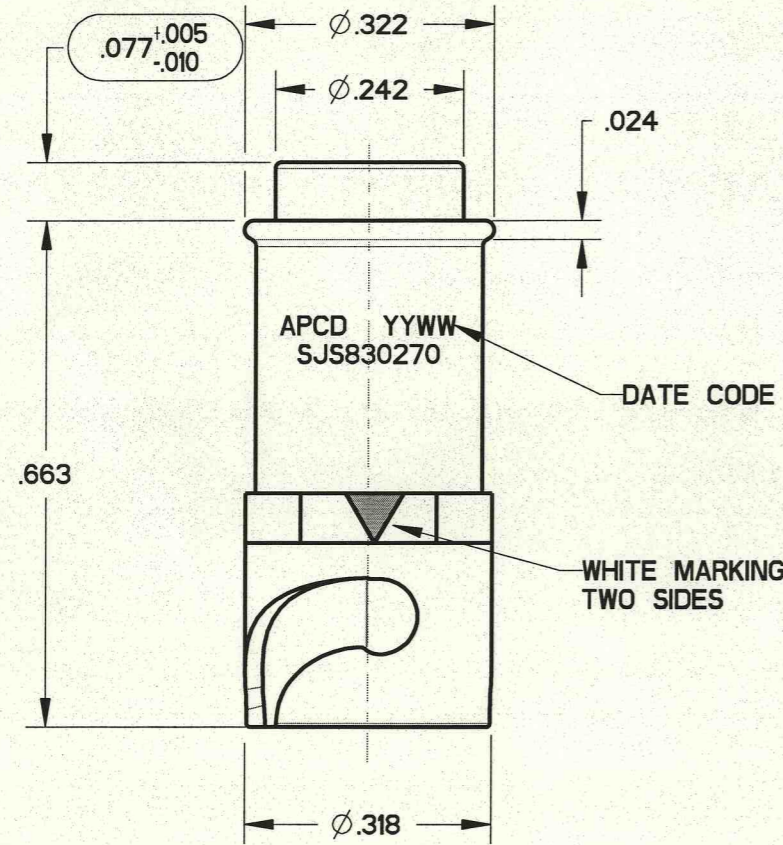
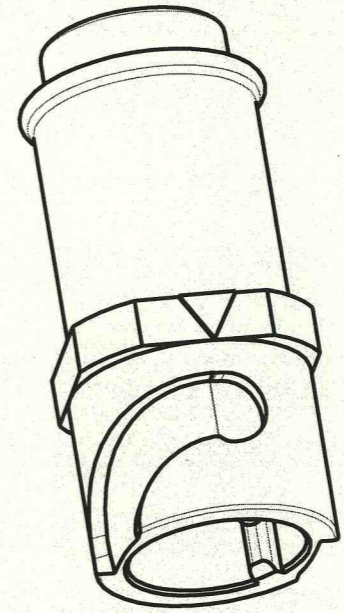
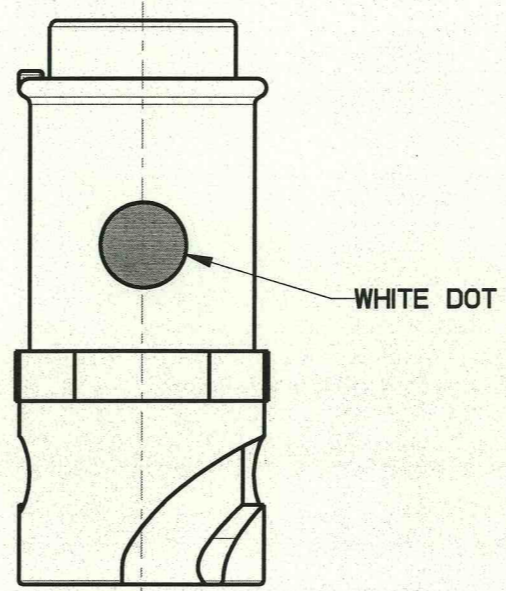
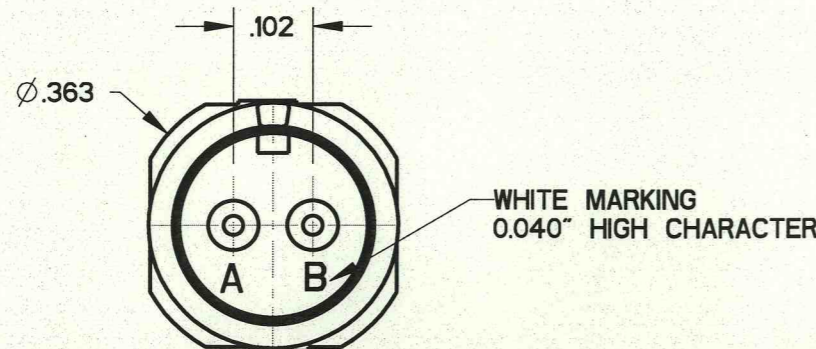


REV	ECN	APP'D
-	6431	07/28/09



TEST	REQUIREMENT	TEST METHOD MIL-STD-1344 (SUPERSEDED BY EIA 364)
OPERATING TEMP.	- 65° TO + 125° C	N/A
CONTACT RESISTANCE	.020 OHMS MAXIMUM	*3004 (EIA-364-6)
DIELECTRIC WITHSTANDING	1000 VRMS, 60Hz • SEA LEVEL 300 VRMS, 60Hz • 70,000 FEET 300 VRMS, 60Hz • 100,000 FEET	*3001 (EIA-364-20)
INSULATION RESISTANCE	5000 MEGAOHMS MINIMUM • 500 VDC	*3003 (EIA-364-21)
DURABILITY	500 MATING CYCLES	MIL-DTL-55302 4.5.9
TEMPERATURE CYCLING	5 (I) HR CYCLES: -65° C TO +125° C	*1003 (EIA-364-32)
VIBRATION	10-2000 Hz, 15G PEAK	*2005 (EIA-364-28)
SHOCK	100G SAWTOOTH, 6MS	*2004 (EIA-364-27)
SALT SPRAY	5% SALT SPRAY • 95° F FOR 48 HRS	*1001 (EIA-364-26)
HUMIDITY	10 DAYS • 25° C TO 65° C, 80-90% RH	*1002 (EIA-364-31)

- NOTES:
- MATERIALS:
HOUSING: PA6/6
CONTACT RETAINER: STAINLESS STEEL
GROMMET: SILICONE RUBBER PER A-A-59588
 - ACCEPTS M39029/58-360 PIN CONTACTS (NOT INCLUDED)
 - TEST SPECIFICATION REFER TO THE TABLE
 - PART MATES WITH SJS830250
 - WEIGHT: 1.1 GRAMS

DIMENSIONS ANSI Y14.5M UNITS: INCHES Pro/E FILE	TOLERANCES .XX ±0.01 .XXX ±0.005 ANGLES ±0.5°	PROJECTION 	Amphenol Pcd SPECIFICATION DRAWING ENGR Frank.Li 15-Jan-09		TITLE SIZE22 2P RECEPTACLE FOR SJS	
			CHKD 10/28/09 APPD 10/28/09	SIZE B DWG NO. SJS830270_CE REV -	CODE: 58982 SCALE: 4:1 SHEET 1 OF 1	

SJS830270

SJS830270