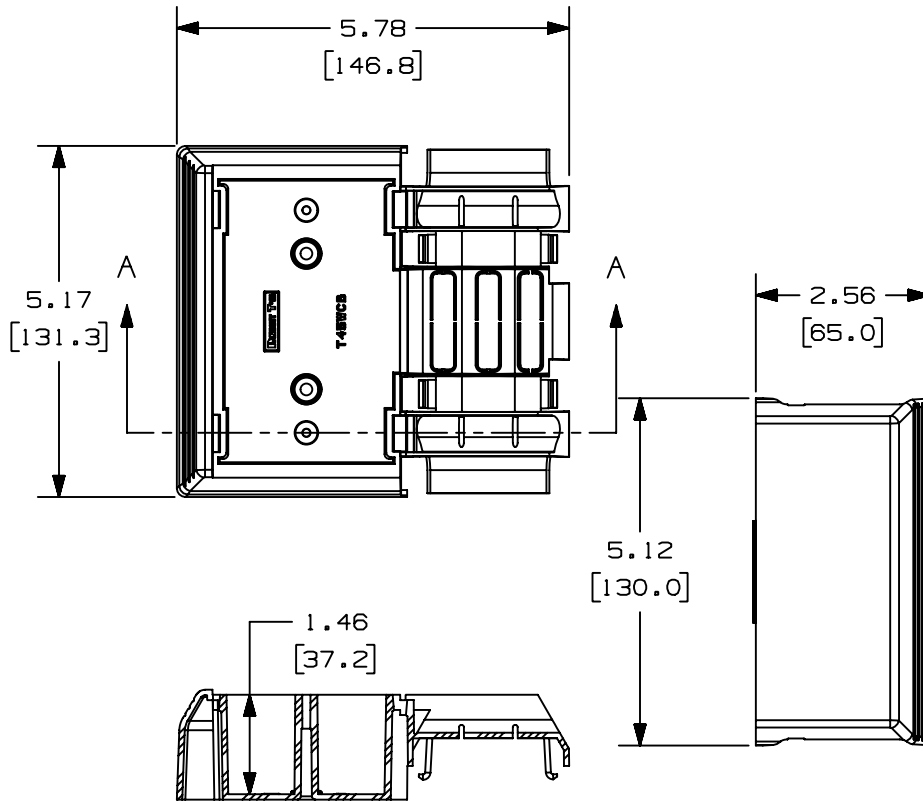


THIS COPY IS PROVIDED ON A RESTRICTED BASIS AND IS NOT TO BE USED IN ANY WAY DETRIMENTAL TO THE INTERESTS OF PANDUIT CORP.

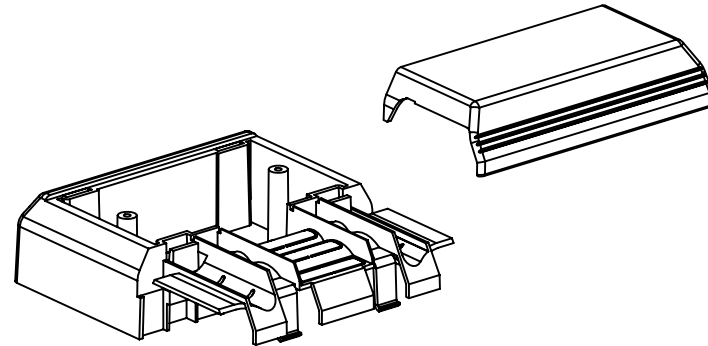


SECTION A-A \triangle B

PANDUIT P/N	WEIGHT
T45WC	3.52 LB/10 PCS (1600 g/10 PCS)

NOTES:

1. SEE CURRENT CATALOG FOR ADDITIONAL PART SUFFIXES TO INDICATE COLOR AND OR PACKAGE QUANTITY.
2. ACCEPTS PANDUIT SCREW-ON TYPE FACEPLATES.
3. DIMENSIONS IN PARENTHESIS ARE IN METRIC.



CAD FILENAME/LAYERS D36975EF_DC_T45WOC_00C.prt

PANDUIT CORP. TINLEY PARK, ILLINOIS
T-45 WORKSTATION OUTLET CENTER (T45WC)
CUSTOMER DRAWING

UNLESS OTHERWISE SPECIFIED, DIMENSIONAL TOLERANCES ARE:
(.X) ± (.XX) ±
(.XX) ±.03 (.8) ANGLES ±

UNLESS OTHERWISE SPECIFIED, ALL DIMENSIONS ARE GIVEN IN INCHES, THIRD ANGLE PROJECTION.

REV	DATE	BY	CHK	DESCRIPTION	ECN	CHK	CUST	SUP
2	07-20-00	MSO	BKR	B. ADDED SECTION A-A TO SHOW INSIDE DEPTH OF W.O.C.	36975-72	HIW	HIW	
1	03-15-00	MSO	BKR	A. SCREW-ON WAS SNAP-ON.	36975-72	HIW	HIW	
R	11-30-99	RABO	HIW	RELEASED TO PRODUCTION.	36975-72	HIW	HIW	

DRAWN BY RABO
DATE 11-30-99
CHECKED BY HIW

MAT'L: PVC

SCALE NONE
DRAWING NO. 36975-72
DWG SIZE A