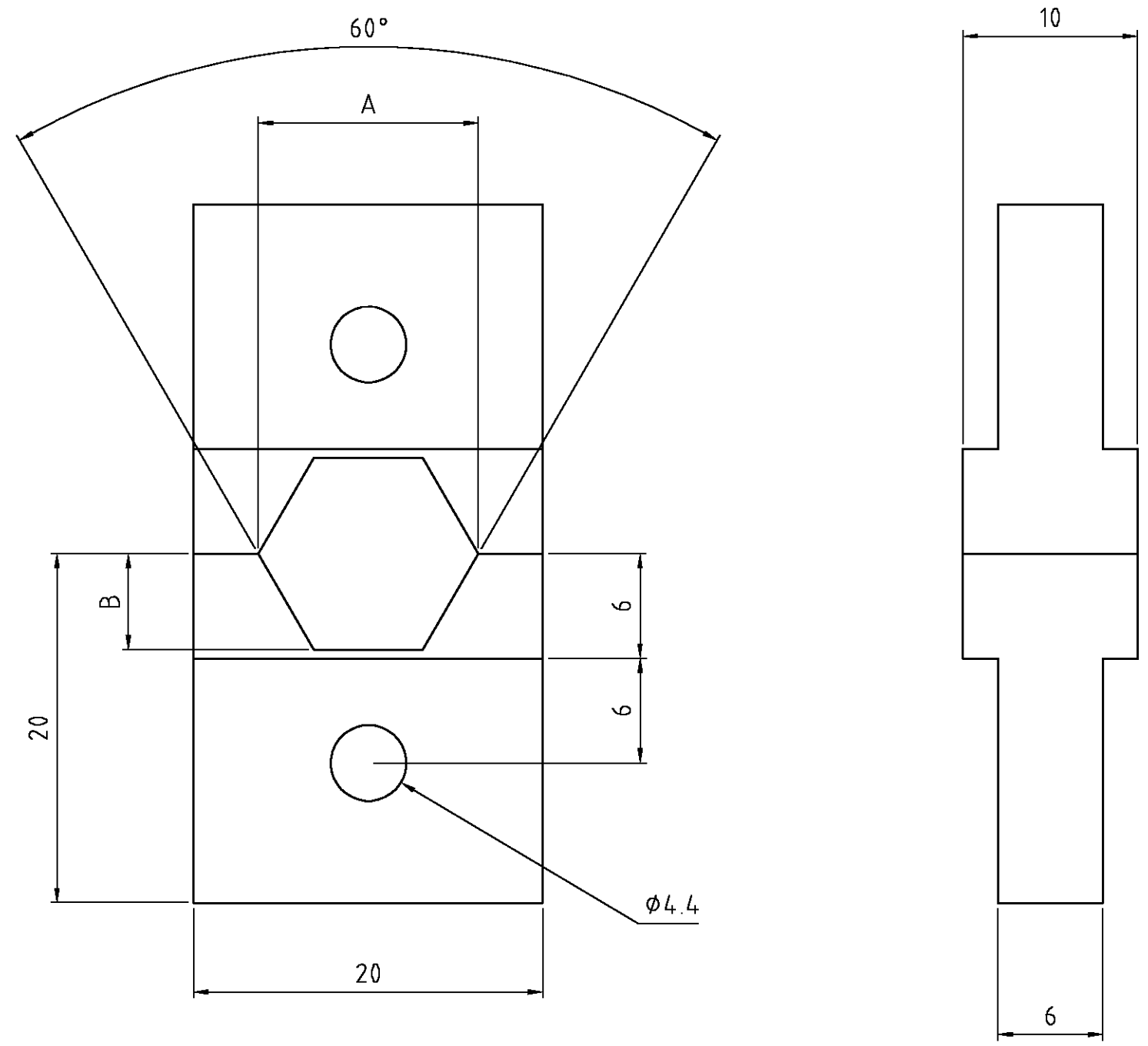


THIS DRAWING IS UNPUBLISHED. RELEASED FOR PUBLICATION  
 © COPYRIGHT BY TYCO ELECTRONICS CORPORATION. ALL RIGHTS RESERVED.

LOC	DIST	REVISIONS					
A	40	P	LTR	DESCRIPTION	DATE	DWN	APVD
		A		0150-0645-03	6-03	CE	RS

PART NUMBER	REV	FIRST USED	SIZE	A	B
1583684-1	A	-	7.0	7.2	3.2
1583684-2	A	-	9.0	9.2	4.2
1583684-3	A	-	10.0	10.3	4.6
1583684-4	A	-	11.0	11.4	4.8



THIS DRAWING IS A CONTROLLED DOCUMENT.		DWN W.HOOVER	07MAY02	Tyco Electronics Corporation Harrisburg, PA, 17112	
DIMENSIONS: MM		CHK R.SCHAEFFER	23JUNE03		
TOLERANCES UNLESS OTHERWISE SPECIFIED:		APVD R.SCHAEFFER	23JUNE03	NAME DIES HANDCRIMPTOOL	
0 PLC ± - 1 PLC ± - 2 PLC ± - 3 PLC ± - 4 PLC ± - ANGLES ± -		PRODUCT SPEC -		RESTRICTED TO -	
MATERIAL -		FINISH -		APPLICATION SPEC -	
		WEIGHT -		SIZE A3	CAGE CODE 00779
		CUSTOMER DRAWING		DRAWING NO C-1583684	
		SCALE 1:1		SHEET 1 OF 1	REV A