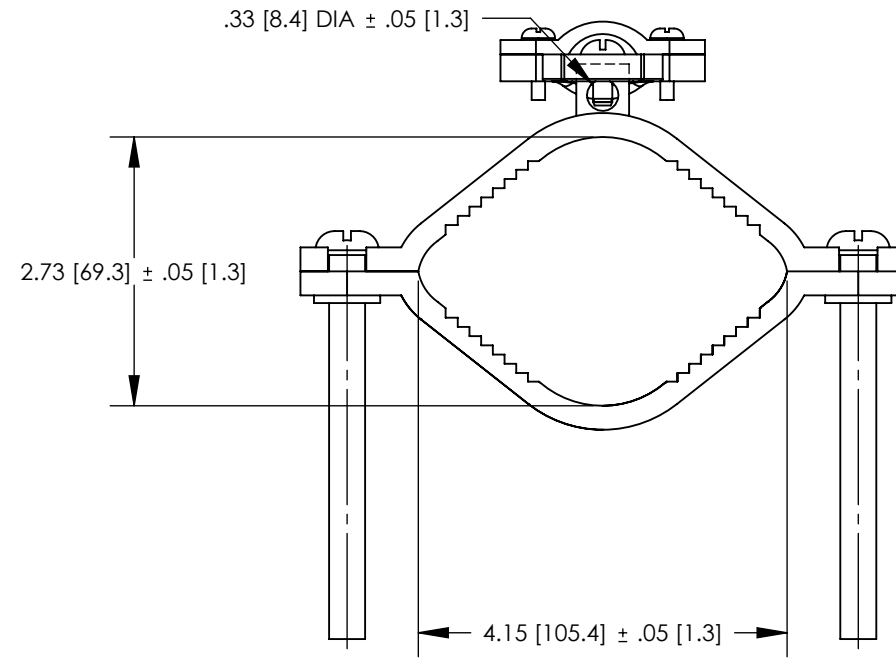
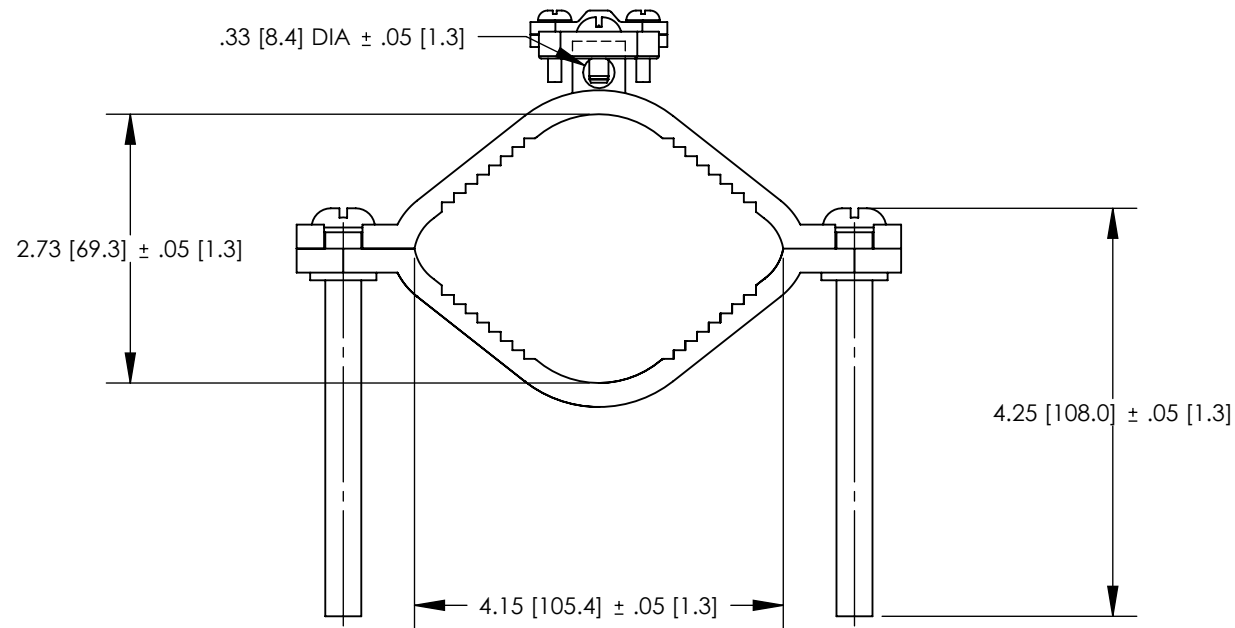
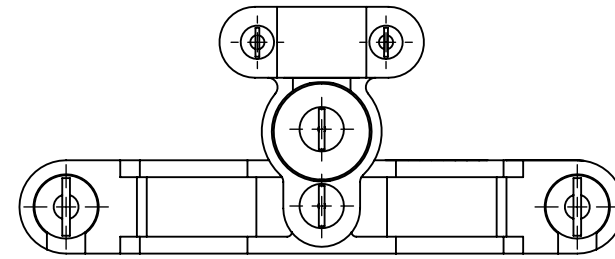
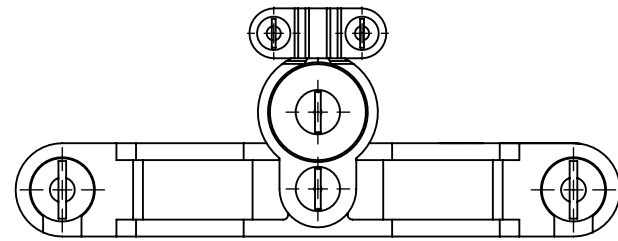


NOTES:

1. MATERIAL:
BODY - BRONZE (GUN METAL)
SCREW - STEEL, ZINC PLATED
2. PARTS ARE cULus LISTED TO UL467 AS
GROUNDING & BONDING EQUIPMENT.
3. SEE WWW.PANDUIT.COM FOR PART NUMBER
SUFFIX DESIGNATION FOR PACKAGE SIZE.



GPCWA6-4
BRONZE GROUND CLAMP - 2-1/2"-4"
WITH SWIVEL FOR ARMORED CABLE

GPCW6-4-12
BRONZE GROUND CLAMP - 2-1/2"-4"
WITH HUB FOR EMT CONDUIT 1/2" & 3/4"
OR 1/2" RIGID CONDUIT

PART NUMBER	DESCRIPTION	WATER PIPE	GROUNDING WIRE
GPCWA6-4	GROUND CLAMP BARE WIRE STEEL SCREWS ARM CB 360 DEG SWIVEL TYPE	2-1/2" - 4"	10 - 6 STR
GPCW6-4-12	GROUND CLAMP BARE WIRE STEEL SCREW WITH HUB	2-1/2" - 4"	10 - 6 STR

REV	DATE	BY	CHK	APR	DESCRIPTION	ECN
00	7/12	JHNU	SRBI	RGB	DRAWING RELEASED	10J018AO-JC

TITLE BRONZE GROUND PIPE CLAMP - 2-1/2" - 4" CUSTOMER DRAWING	
ITEM REVISION NAME 10J018AO/00	PANDUIT TM
DATASET FILE NAME 10J018AO-JC/00.SLDDRW	
UNLESS OTHERWISE SPECIFIED, DIMENSIONAL TOLERANCES ARE: IN [mm] .X ± .XXX ± .XX ± ANGLES ±	
THIRD ANGLE PROJECTION	
DRAWN BY JHNU	DATE 7/12
CHK SRBI	SCALE N/A
DRAWING NUMBER 10J018AO-JC	
SHEET 1 OF 1	
SIZE B	