

# Customer Information Sheet

DRAWING No.: M80-805XXXX

SHEET 2 OF 2

IF IN DOUBT - ASK

©

NOT TO SCALE

THIRD ANGLE PROJECTION

ALL DIMENSIONS IN mm

**SPECIFICATIONS:**

**MATERIAL:**  
 MOULDING = GLASS-FILLED POLYESTER,  
 UL94V-0, BLACK  
 CONTACTS = PHOSPHOR BRONZE  
 LATCHES = BERYLLIUM COPPER  
**FINISH:**  
 CONTACTS:  
 05 = 0.75µ GOLD  
 22 = 0.75µ GOLD ON CONTACT AREA,  
 3.0µ 90/10 TIN/LEAD ON TAILS  
 LATCH = 1.25µ NICKEL

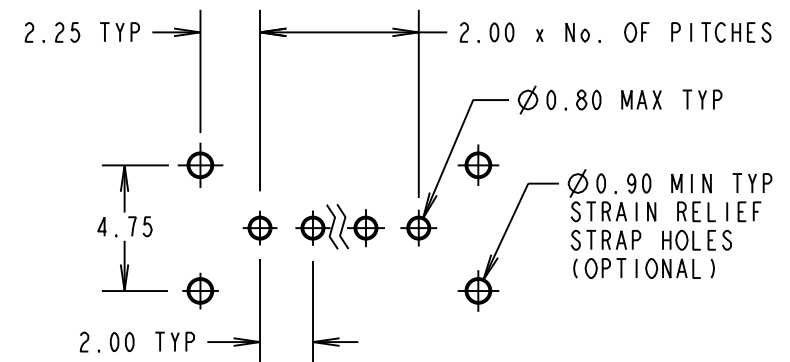
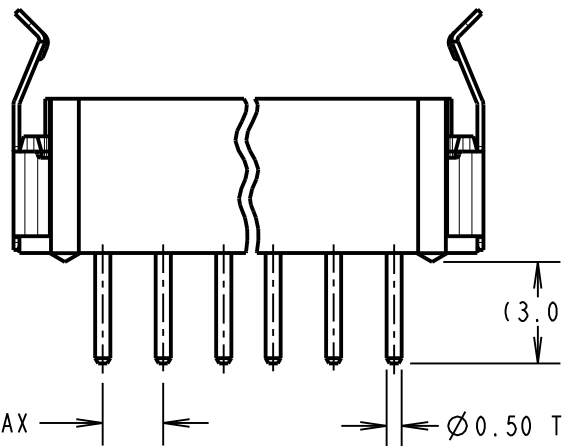
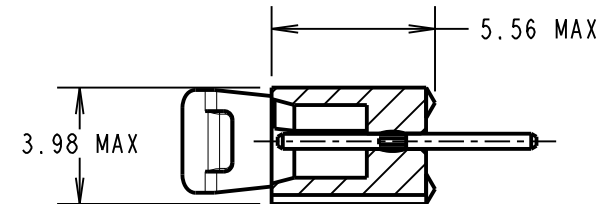
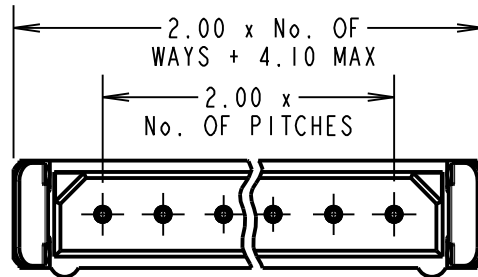
**ELECTRICAL:**  
 CURRENT RATING (25°C) = 3.0A MAX.  
 CURRENT RATING (85°C) = 2.2A MAX.  
 WORKING VOLTAGE = 800V AC/DC  
 VOLTAGE PROOF = 1200V AC/DC  
**CONTACT RESISTANCE:**  
 INITIAL = 20 mΩ MAX.  
 AFTER CONDITIONING = 25 mΩ MAX.  
**INSULATION RESISTANCE:**  
 INITIAL = 1000 MΩ MIN.  
 AFTER CONDITIONING = 100 MΩ MIN.

**MECHANICAL:**  
 DURABILITY = 500 OPERATIONS  
 INSERTION FORCE (∅0.5mm GAUGE) = 2.8N MAX  
 WITHDRAWAL FORCE (∅0.5mm GAUGE) = 0.2N MIN

**ENVIRONMENTAL:**  
 TEMPERATURE RANGE = -55°C TO +125°C

**PACKING:**  
 TUBE

FOR COMPLETE SPECIFICATION, SEE COMPONENT SPECIFICATION C005XX (LATEST ISSUE)



RECOMMENDED PCB LAYOUT

**NOTES:**

- 2-OFF STRAIN RELIEF STRAPS M80-0030006 MAY BE USED WITH THIS CONNECTOR.
- FOR RoHS COMPLIANT EQUIVALENT PRODUCT USE M80-881XXXX CONNECTORS.

BRITISH STANDARD ORDER CODE:

**B5743-1XX-M-T-R**

TOTAL No. OF WAYS  
 02 - 07, 17, 22

FINISH:  
 R = SELECTIVE GOLD & TIN/LEAD

ORDER CODE:

**M80-805XXXX**

TOTAL No. OF WAYS  
 02 - 07, 17, 22.

FINISH:  
 05 = GOLD  
 22 = SELECTIVE GOLD & TIN/LEAD

|                     |      |          |        |
|---------------------|------|----------|--------|
| SB                  | 11   | 05.03.12 | 11672  |
| NAME                | ISS. | DATE     | C/NOTE |
| APPROVED: S.BENNETT |      |          |        |
| CHECKED: S.FLOWER   |      |          |        |
| DRAWN: D. BECK      |      |          |        |
| CUSTOMER REF.:      |      |          |        |
| ASSEMBLY DRG:       |      |          |        |

**HARWIN**

www.harwin.com  
 technical@harwin.com

THIS DRAWING AND ANY INFORMATION OR DESCRIPTIVE MATTER SET OUT HEREON ARE CONFIDENTIAL AND COPYRIGHT PROPERTY OF THE HARWIN GROUP AND MUST NOT BE DISCLOSED, LOANED, COPIED OR USED FOR MANUFACTURING, TENDERING OR FOR ANY OTHER PURPOSE WITHOUT THEIR WRITTEN PERMISSION.

**TOLERANCES**  
 X. = ±1mm  
 X.X = ±0.25mm  
 X.XX = ±0.10mm  
 X.XXX = ±0.01mm  
 ANGLES = ±5°  
 UNLESS STATED

**MATERIAL:**

SEE ABOVE

**FINISH:** SEE ABOVE

**S/AREA:** mm<sup>2</sup>

**TITLE:**

DATAMATE SIL  
 VERTICAL MALE PC TAIL  
 ASSEMBLY - FRICTION LATCH

**DRAWING NUMBER:**

**M80-805XXXX**

SHT  
 2 OF 2