

## SPECIFICATION

Part No.	:	<b>MA170.A.BI.001</b>
Product Name	:	Monsoon 2*LTE MIMO Permanent Mount Antenna with 3m CFD200-E & SMA(M)ST Connector
Features	:	2*LTE MIMO Antenna 698 to 960MHz 1710 to 2170MHz 2490 to 2690MHz Permanent Mount [Screw Mount] Worldwide 4G Bands including 3G/2G Fallback IP69K Enclosure Dims: 204*69*31 mm Cable: 3 Meters CFD200-E Connector: SMA(M)ST Custom Cables and Connectors Available <b>RoHS Compliant</b>



## 1. Introduction

The MA170 antenna is a custom profile, fully IP69K Waterproof external M2M antenna for use on containers for global telematics services. The MA170 delivers best in class LTE antenna performance.

Typical applications include:

- HD Video over LTE -First Responder and Emergency Services
- Intelligent Transport Systems
- Internet of Things (IoT market)
- High Definition Video Broadcast Systems
- Wireless LTE MIMO M2M Devices
- Digital Signage

LTE 4G applications demand high speed data uplink and downlink. High efficiency and high gain MIMO antennas are necessary to achieve the required signal to noise ratio and throughput required to solve these challenges. Taoglas also takes care to have high isolation between the two MIMO antennas to prevent self-interference. The MA170 does not require a ground plane. Low loss cables are used to keep efficiency high over long cable lengths. In contrast, smaller MIMO antennas with poorer quality thinner cables will have much reduced efficiency and isolation, which would lead to a large drop in system throughput or drops, and may indeed not make a system connection at all.

The antenna cable length and connector type can be customizable, please contact your regional Taoglas sales office for support.

## 2. Specification

4G/3G/2G LTE Antenna								
Frequency	LTE700	GSM850	GSM900	DCS	PCS	UMTS1	LTE2600	LTE3500
(MHz)	698~803	824~894	880~960	1710 ~1880	1850 ~1990	1920 ~2170	2300 ~2690	3300 ~3600
Free Space								
Efficiency								
MIMO1	41.82	46.70	43.52	40.57	37.60	37.34	43.41	43.40
MIMO2	41.05	47.97	40.55	41.99	40.98	39.61	51.06	43.24
Average Gain								
MIMO1	-3.79	-3.31	-3.61	-3.92	-4.25	-4.28	-3.62	-3.62
MIMO2	-3.87	-3.19	-3.92	-3.77	-3.87	-4.02	-2.92	-3.64
Peak Gain								
MIMO1	2.28	2.74	1.47	2.36	3.28	3.28	5.93	4.43
MIMO2	2.58	2.92	2.29	2.79	3.37	3.37	6.53	4.71
On 30*30 Metal								
Efficiency (%)								
MIMO1	40.52	37.75	38.25	34.02	40.39	39.23	37.61	31.57
MIMO2	42.59	42.45	35.81	33.96	44.53	44.81	45.45	39.87
Average Gain (dBi)								
MIMO1	-3.92	-4.23	-4.17	-4.68	-3.94	-4.06	-4.25	-5.01
MIMO2	-3.71	-3.72	-4.46	-4.69	-3.51	-3.49	-3.42	-3.99
Peak Gain (dBi)								
MIMO1	2.34	1.33	1.03	4.90	4.75	4.34	8.22	3.05
MIMO2	3.01	2.42	1.17	4.05	4.29	4.46	7.72	4.23
Impedance			50Ω					
Polarization			Linear					
VSWR			< 5					
Cable			3m CFD200-E low loss cable					
Connector			SMA(M)ST					

MECHANICAL	
Antenna Dimensions	203.95*68.96*30.93 mm
Enclosure Material	ABS+PC
Base and Thread	ABS+PC
Weight (including cable)	1200g
RELIABILITY TEST RESULT	
High, Low Temperature Test	+85°C for 48hrs, -40°C for 24hrs
Temperature Cycle Test	-40°C to +85°C, 240hrs for 8 cycles
UV solar radiation Test	+70°C 8hrs & +50°C 4hrs/total 500hrs
Waterproof Test	IP69K
Mechanical Shock Test	50G Force, Half Sine Wave, 6 axis, 10 shocks per axis
Vibration Test	Random 10~1000Hz, 3 axis, 8hrs per axis
ENVIRONMENTAL	
Operation Temperature	-40°C to 85°C
Storage Temperature	-40°C to 85°C
Humidity	Non-condensing 65°C 95% RH

LTE BANDS for MIMO 1 IN FREE SPACE				
Band Number	LTE / LTE-Advanced / WCDMA / HSPA / HSPA+ / TD-SCDMA			
	Uplink	Downlink	Covered	Covered
1	UL: 1920 to 1980	DL: 2110 to 2170	✓	✓
2	UL: 1850 to 1910	DL: 1930 to 1990	✓	✓
3	UL: 1710 to 1785	DL: 1805 to 1880	✓	✓
4	UL: 1710 to 1755	DL: 2110 to 2155	✓	✓
5	UL: 824 to 849	DL: 869 to 894	✓	✓
7	UL: 2500 to 2570	DL: 2620 to 2690	✓	✓
8	UL: 880 to 915	DL: 925 to 960	✓	✓
9	UL: 1749.9 to 1784.9	DL: 1844.9 to 1879.9	✓	✓
11	UL: 1427.9 to 1447.9	DL: 1475.9 to 1495.9	✓	✓
12	UL: 699 to 716	DL: 729 to 746	✓	✓
13	UL: 777 to 787	DL: 746 to 756	✓	✓
14	UL: 788 to 798	DL: 758 to 768	✓	✓
17	UL: 704 to 716	DL: 734 to 746 (LTE only)	✓	✓
18	UL: 815 to 830	DL: 860 to 875 (LTE only)	✓	✓
19	UL: 830 to 845	DL: 875 to 890	✓	✓
20	UL: 832 to 862	DL: 791 to 821	✓	✓
21	UL: 1447.9 to 1462.9	DL: 1495.9 to 1510.9	✓	✓
22	UL: 3410 to 3490	DL: 3510 to 3590	✓	✓
23	UL: 2000 to 2020	DL: 2180 to 2200 (LTE only)	✓	✓
24	UL: 1625.5 to 1660.5	DL: 1525 to 1559 (LTE only)	✓	✓
25	UL: 1850 to 1915	DL: 1930 to 1995	✓	✓
26	UL: 814 to 849	DL: 859 to 894	✓	✓
27	UL: 807 to 824	DL: 852 to 869 (LTE only)	✓	✓
28	UL: 703 to 748	DL: 758 to 803 (LTE only)	✓	✓
29	UL: -	DL: 717 to 728 (LTE only)	✓	✓
30	UL: 2305 to 2315	DL: 2350 to 2360 (LTE only)	✓	✓
31	UL: 452.5 to 457.5	DL: 462.5 to 467.5 (LTE only)	✓	✓
32	UL: -	DL: 1452 - 1496	✓	✓
35		1850 to 1910	✓	✓
38		2570 to 2620	✓	✓
39		1880 to 1920	✓	✓
40		2300 to 2400	✓	✓
41		2496 to 2690	✓	✓
42		3400 to 3600	✓	✓
43		3600 to 3800	✓	✓

LTE BANDS for MIMO 1 ON 30X30 GROUNDPLANE				
Band Number	LTE / LTE-Advanced / WCDMA / HSPA / HSPA+ / TD-SCDMA			
	Uplink	Downlink	Covered	Covered
1	UL: 1920 to 1980	DL: 2110 to 2170	✓	✓
2	UL: 1850 to 1910	DL: 1930 to 1990	✓	✓
3	UL: 1710 to 1785	DL: 1805 to 1880	✗	✓
4	UL: 1710 to 1755	DL: 2110 to 2155	✗	✓
5	UL: 824 to 849	DL: 869 to 894	✓	✓
7	UL: 2500 to 2570	DL: 2620 to 2690	✓	✓
8	UL: 880 to 915	DL: 925 to 960	✓	✓
9	UL: 1749.9 to 1784.9	DL: 1844.9 to 1879.9	✓	✓
11	UL: 1427.9 to 1447.9	DL: 1475.9 to 1495.9	✓	✓
12	UL: 699 to 716	DL: 729 to 746	✓	✓
13	UL: 777 to 787	DL: 746 to 756	✓	✓
14	UL: 788 to 798	DL: 758 to 768	✓	✓
17	UL: 704 to 716	DL: 734 to 746 (LTE only)	✓	✓
18	UL: 815 to 830	DL: 860 to 875 (LTE only)	✓	✓
19	UL: 830 to 845	DL: 875 to 890	✓	✓
20	UL: 832 to 862	DL: 791 to 821	✓	✓
21	UL: 1447.9 to 1462.9	DL: 1495.9 to 1510.9	✓	✓
22	UL: 3410 to 3490	DL: 3510 to 3590	✓	✓
23	UL: 2000 to 2020	DL: 2180 to 2200 (LTE only)	✓	✓
24	UL: 1625.5 to 1660.5	DL: 1525 to 1559 (LTE only)	✓	✓
25	UL: 1850 to 1915	DL: 1930 to 1995	✓	✓
26	UL: 814 to 849	DL: 859 to 894	✓	✓
27	UL: 807 to 824	DL: 852 to 869 (LTE only)	✓	✓
28	UL: 703 to 748	DL: 758 to 803 (LTE only)	✓	✓
29	UL: -	DL: 717 to 728 (LTE only)	✓	✓
30	UL: 2305 to 2315	DL: 2350 to 2360 (LTE only)	✓	✓
31	UL: 452.5 to 457.5	DL: 462.5 to 467.5 (LTE only)	✓	✓
32	UL: -	DL: 1452 - 1496	✓	✓
35		1850 to 1910	✓	✓
38		2570 to 2620	✓	✓
39		1880 to 1920	✓	✓
40		2300 to 2400	✓	✓
41		2496 to 2690	✓	✓
42		3400 to 3600	✓	✓
43		3600 to 3800	✓	✓

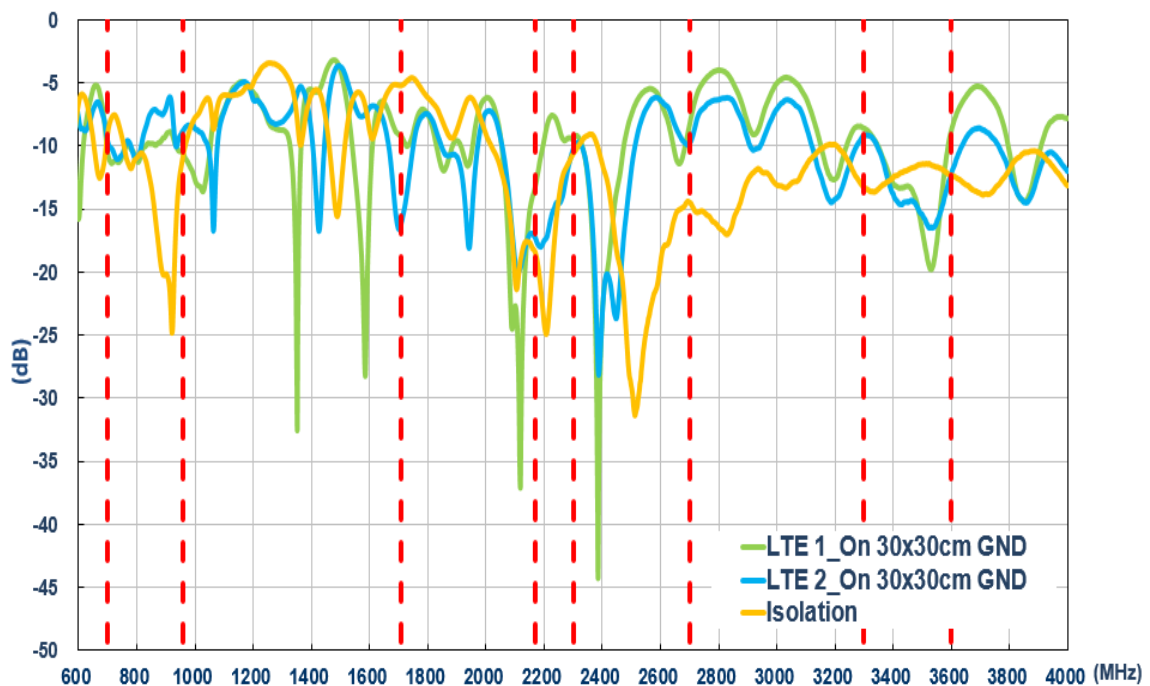
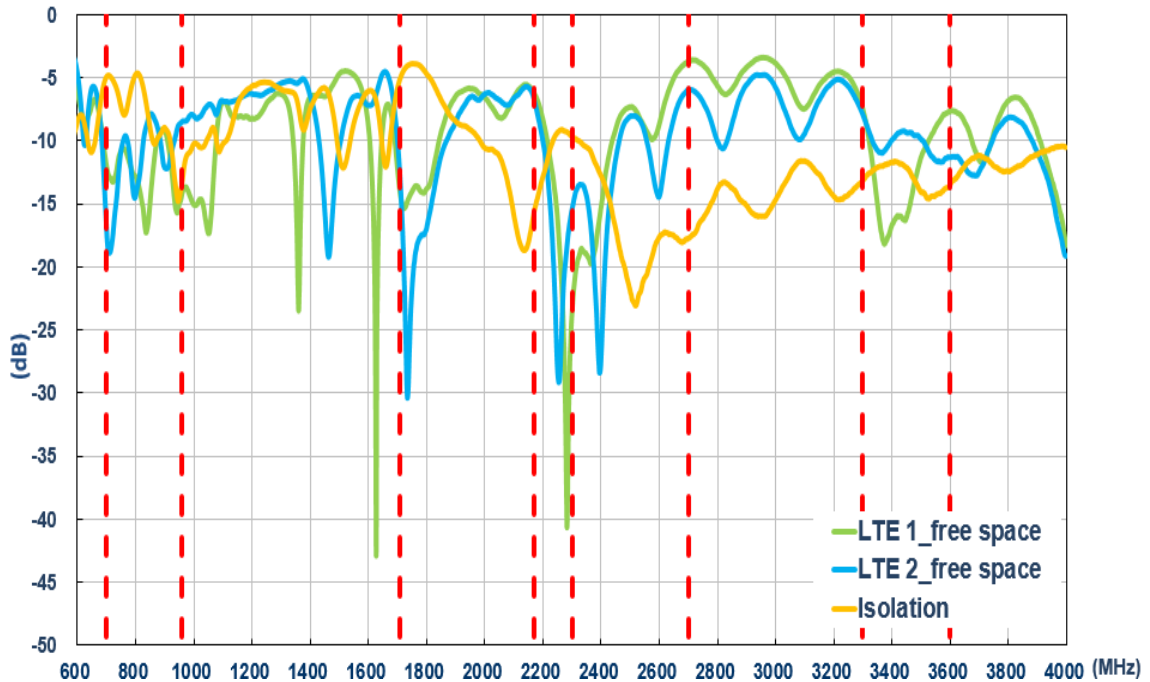
LTE BANDS for MIMO 2 IN FREE SPACE				
Band Number	LTE / LTE-Advanced / WCDMA / HSPA / HSPA+ / TD-SCDMA			
	Uplink	Downlink	Covered	Covered
1	UL: 1920 to 1980	DL: 2110 to 2170	✓	✓
2	UL: 1850 to 1910	DL: 1930 to 1990	✓	✓
3	UL: 1710 to 1785	DL: 1805 to 1880	✓	✓
4	UL: 1710 to 1755	DL: 2110 to 2155	✓	✓
5	UL: 824 to 849	DL: 869 to 894	✓	✓
7	UL: 2500 to 2570	DL: 2620 to 2690	✓	✓
8	UL: 880 to 915	DL: 925 to 960	✓	✓
9	UL: 1749.9 to 1784.9	DL: 1844.9 to 1879.9	✓	✓
11	UL: 1427.9 to 1447.9	DL: 1475.9 to 1495.9	✓	✓
12	UL: 699 to 716	DL: 729 to 746	✓	✓
13	UL: 777 to 787	DL: 746 to 756	✓	✓
14	UL: 788 to 798	DL: 758 to 768	✓	✓
17	UL: 704 to 716	DL: 734 to 746 (LTE only)	✓	✓
18	UL: 815 to 830	DL: 860 to 875 (LTE only)	✓	✓
19	UL: 830 to 845	DL: 875 to 890	✓	✓
20	UL: 832 to 862	DL: 791 to 821	✓	✓
21	UL: 1447.9 to 1462.9	DL: 1495.9 to 1510.9	✓	✓
22	UL: 3410 to 3490	DL: 3510 to 3590	✓	✓
23	UL: 2000 to 2020	DL: 2180 to 2200 (LTE only)	✓	✓
24	UL: 1625.5 to 1660.5	DL: 1525 to 1559 (LTE only)	✓	✓
25	UL: 1850 to 1915	DL: 1930 to 1995	✓	✓
26	UL: 814 to 849	DL: 859 to 894	✓	✓
27	UL: 807 to 824	DL: 852 to 869 (LTE only)	✓	✓
28	UL: 703 to 748	DL: 758 to 803 (LTE only)	✓	✓
29	UL: -	DL: 717 to 728 (LTE only)	✓	✓
30	UL: 2305 to 2315	DL: 2350 to 2360 (LTE only)	✓	✓
31	UL: 452.5 to 457.5	DL: 462.5 to 467.5 (LTE only)	✓	✓
32	UL: -	DL: 1452 - 1496	✓	✓
35		1850 to 1910	✓	✓
38		2570 to 2620	✓	✓
39		1880 to 1920	✓	✓
40		2300 to 2400	✓	✓
41		2496 to 2690	✓	✓
42		3400 to 3600	✓	✓
43		3600 to 3800	✓	✓

LTE BANDS for MIMO 2 ON 30X30 GROUNDPLANE				
Band Number	LTE / LTE-Advanced / WCDMA / HSPA / HSPA+ / TD-SCDMA			
	Uplink	Downlink	Covered	Covered
1	UL: 1920 to 1980	DL: 2110 to 2170	✓	✓
2	UL: 1850 to 1910	DL: 1930 to 1990	✓	✓
3	UL: 1710 to 1785	DL: 1805 to 1880	✓	✓
4	UL: 1710 to 1755	DL: 2110 to 2155	✓	✓
5	UL: 824 to 849	DL: 869 to 894	✓	✓
7	UL: 2500 to 2570	DL: 2620 to 2690	✓	✓
8	UL: 880 to 915	DL: 925 to 960	✓	✓
9	UL: 1749.9 to 1784.9	DL: 1844.9 to 1879.9	✓	✓
11	UL: 1427.9 to 1447.9	DL: 1475.9 to 1495.9	✓	✓
12	UL: 699 to 716	DL: 729 to 746	✓	✓
13	UL: 777 to 787	DL: 746 to 756	✓	✓
14	UL: 788 to 798	DL: 758 to 768	✓	✓
17	UL: 704 to 716	DL: 734 to 746 (LTE only)	✓	✓
18	UL: 815 to 830	DL: 860 to 875 (LET only)	✓	✓
19	UL: 830 to 845	DL: 875 to 890	✓	✓
20	UL: 832 to 862	DL: 791 to 821	✓	✓
21	UL: 1447.9 to 1462.9	DL: 1495.9 to 1510.9	✓	✓
22	UL: 3410 to 3490	DL: 3510 to 3590	✓	✓
23	UL: 2000 to 2020	DL: 2180 to 2200 (LTE only)	✓	✓
24	UL: 1625.5 to 1660.5	DL: 1525 to 1559 (LTE only)	✓	✓
25	UL: 1850 to 1915	DL: 1930 to 1995	✓	✓
26	UL: 814 to 849	DL: 859 to 894	✓	✓
27	UL: 807 to 824	DL: 852 to 869 (LTE only)	✓	✓
28	UL: 703 to 748	DL: 758 to 803 (LTE only)	✓	✓
29	UL: -	DL: 717 to 728 (LTE only)	✓	✓
30	UL: 2305 to 2315	DL: 2350 to 2360 (LTE only)	✓	✓
31	UL: 452.5 to 457.5	DL: 462.5 to 467.5 (LTE only)	✓	✓
32	UL: -	DL: 1452 - 1496	✓	✓
35		1850 to 1910	✓	✓
38		2570 to 2620	✓	✓
39		1880 to 1920	✓	✓
40		2300 to 2400	✓	✓
41		2496 to 2690	✓	✓
42		3400 to 3600	✓	✓
43		3600 to 3800	✓	✓

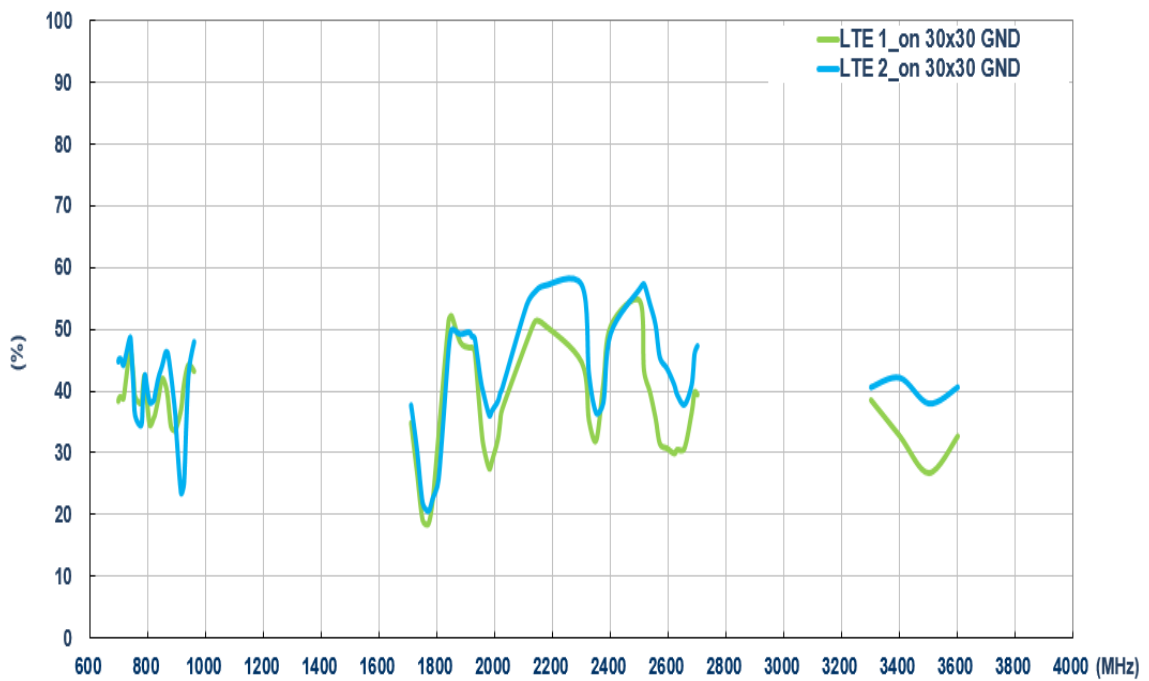
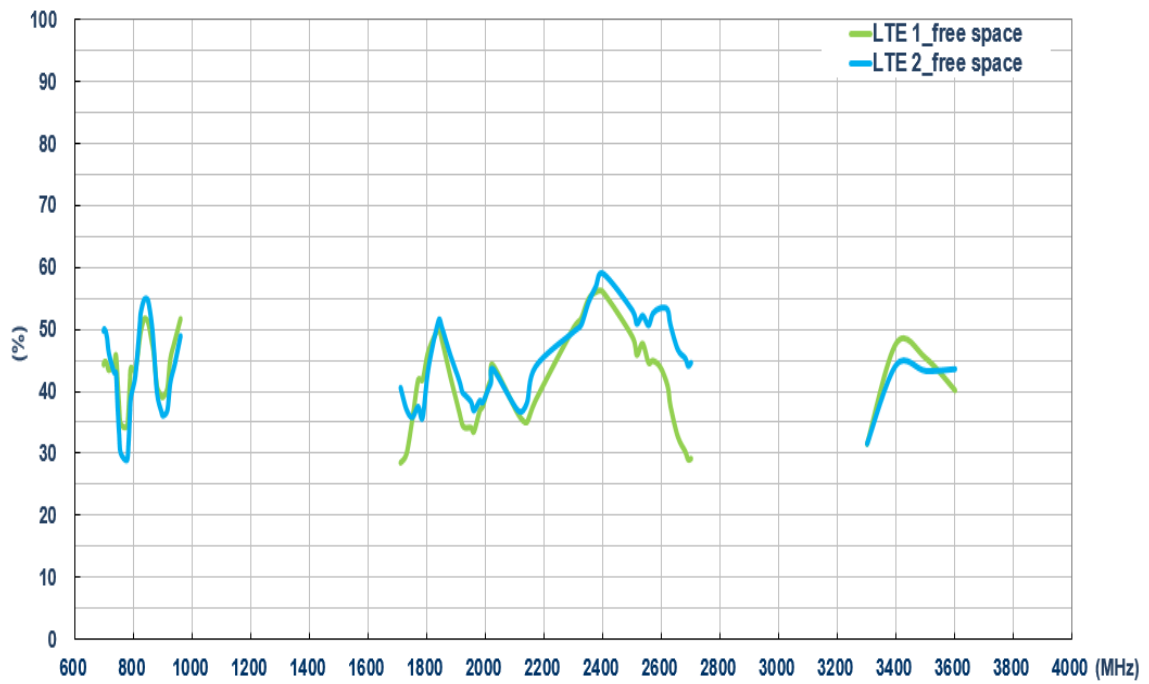


## Antenna Characteristics

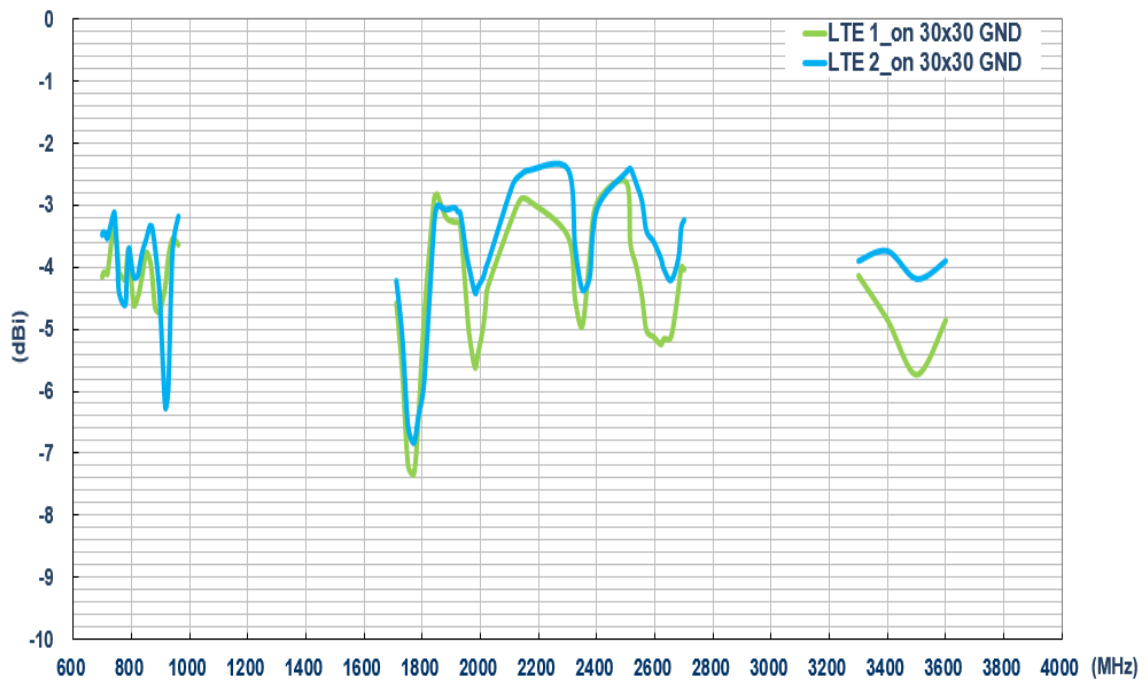
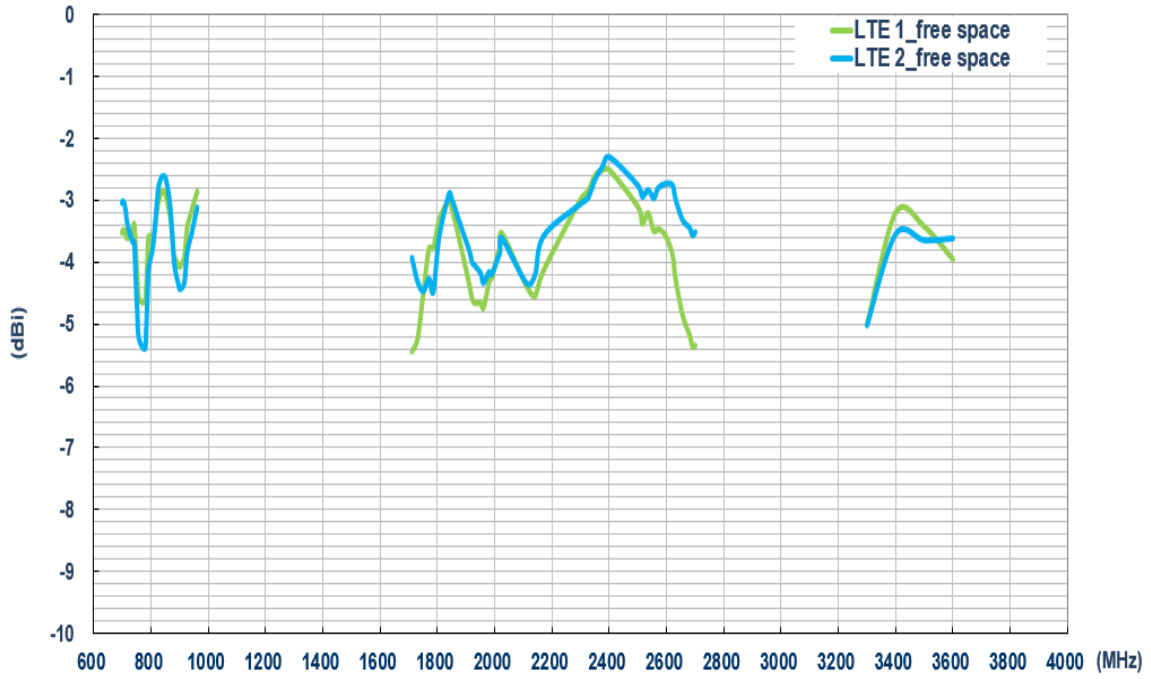
### 3.1. Return Loss and Isolation



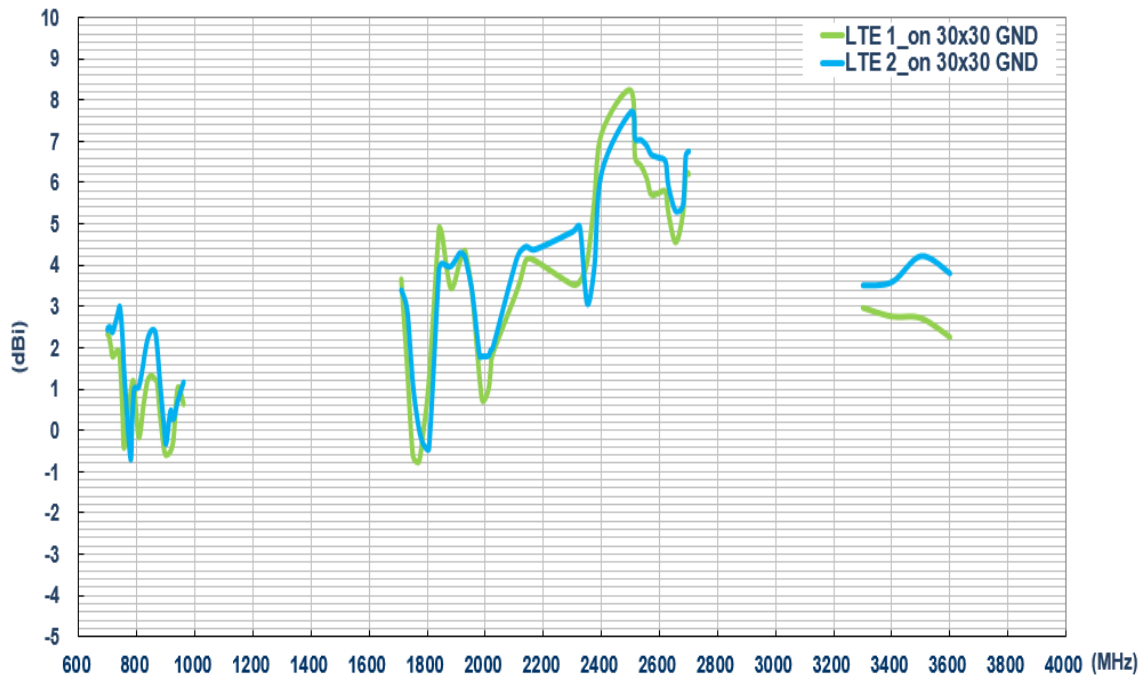
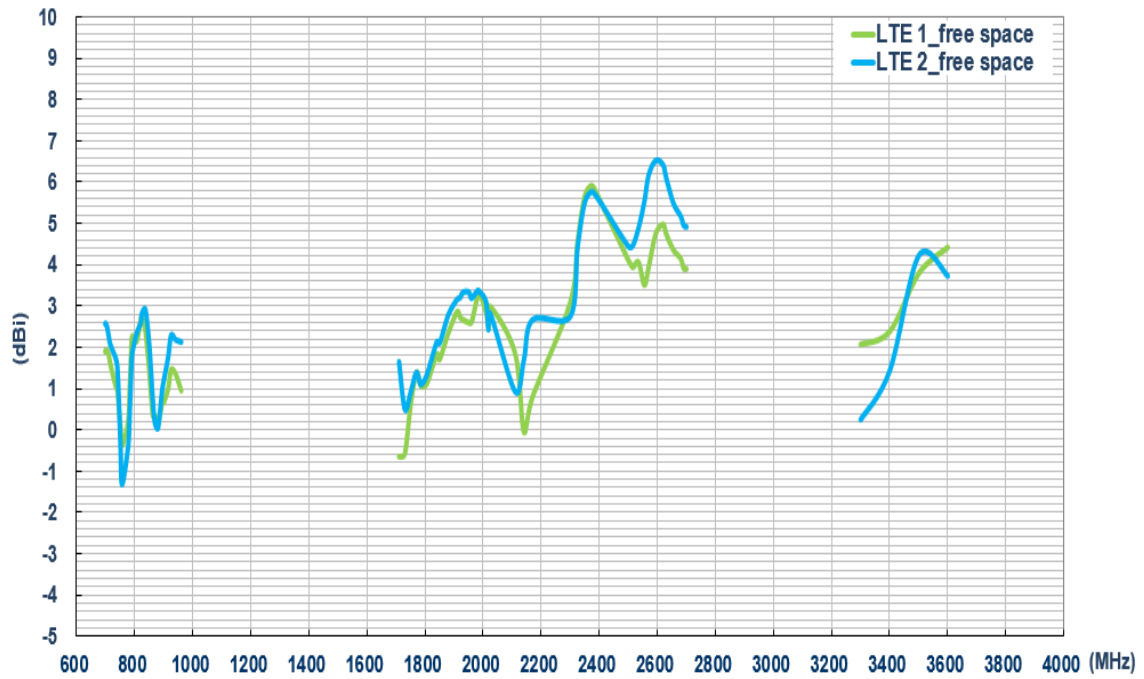
### 3.2. Efficiency



### 3.3. Average Gain

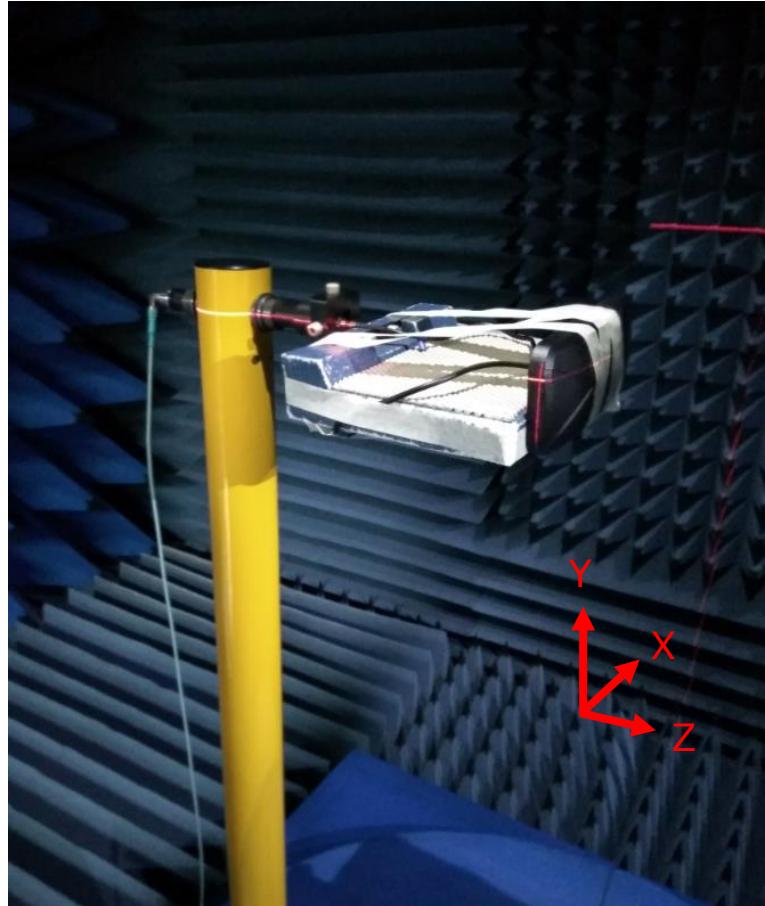


### 3.4. Peak Gain

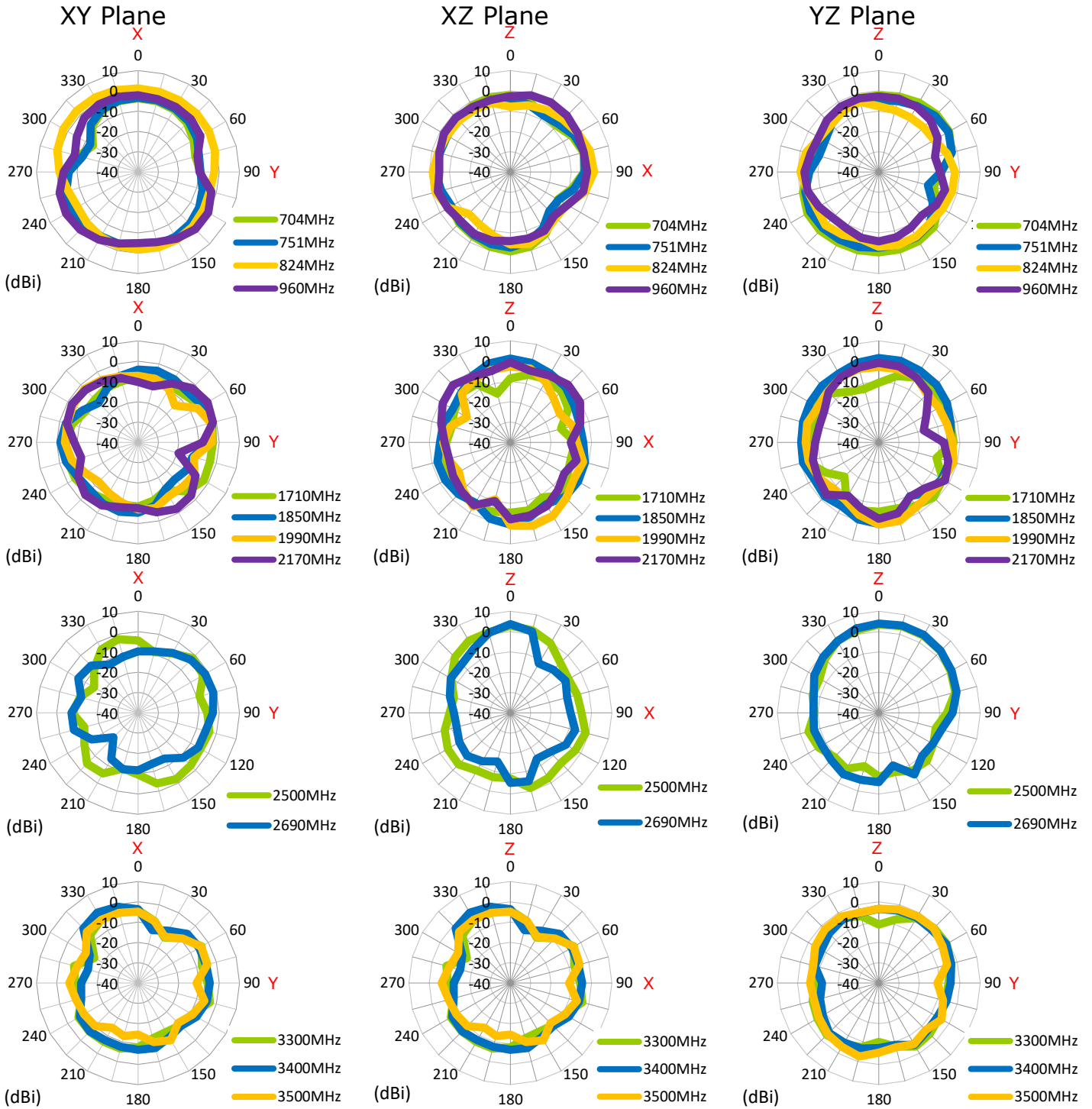


## 4. Antenna Radiation Pattern

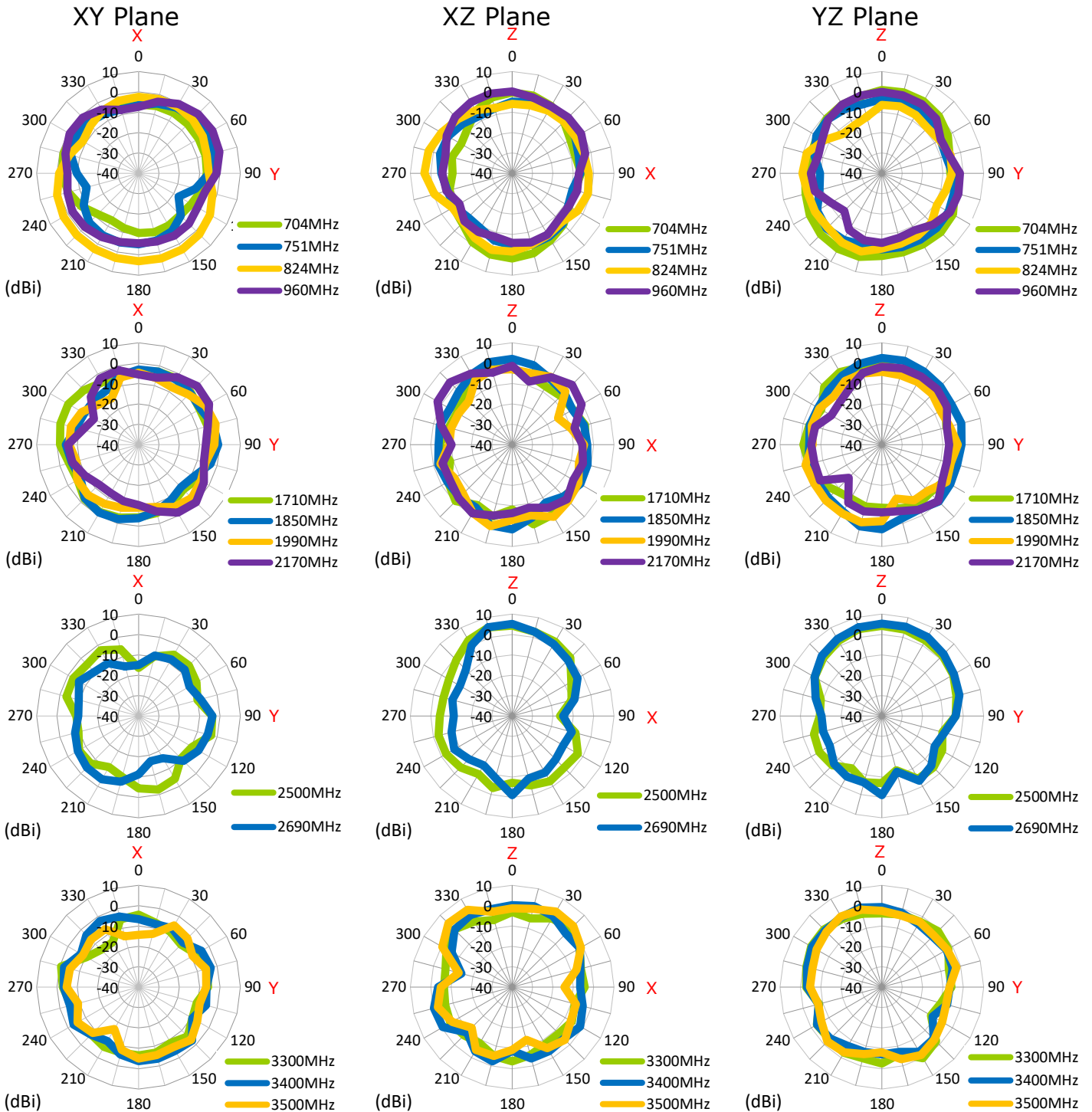
### 4.1. Test Setup (Measured in Anechoic Chamber)



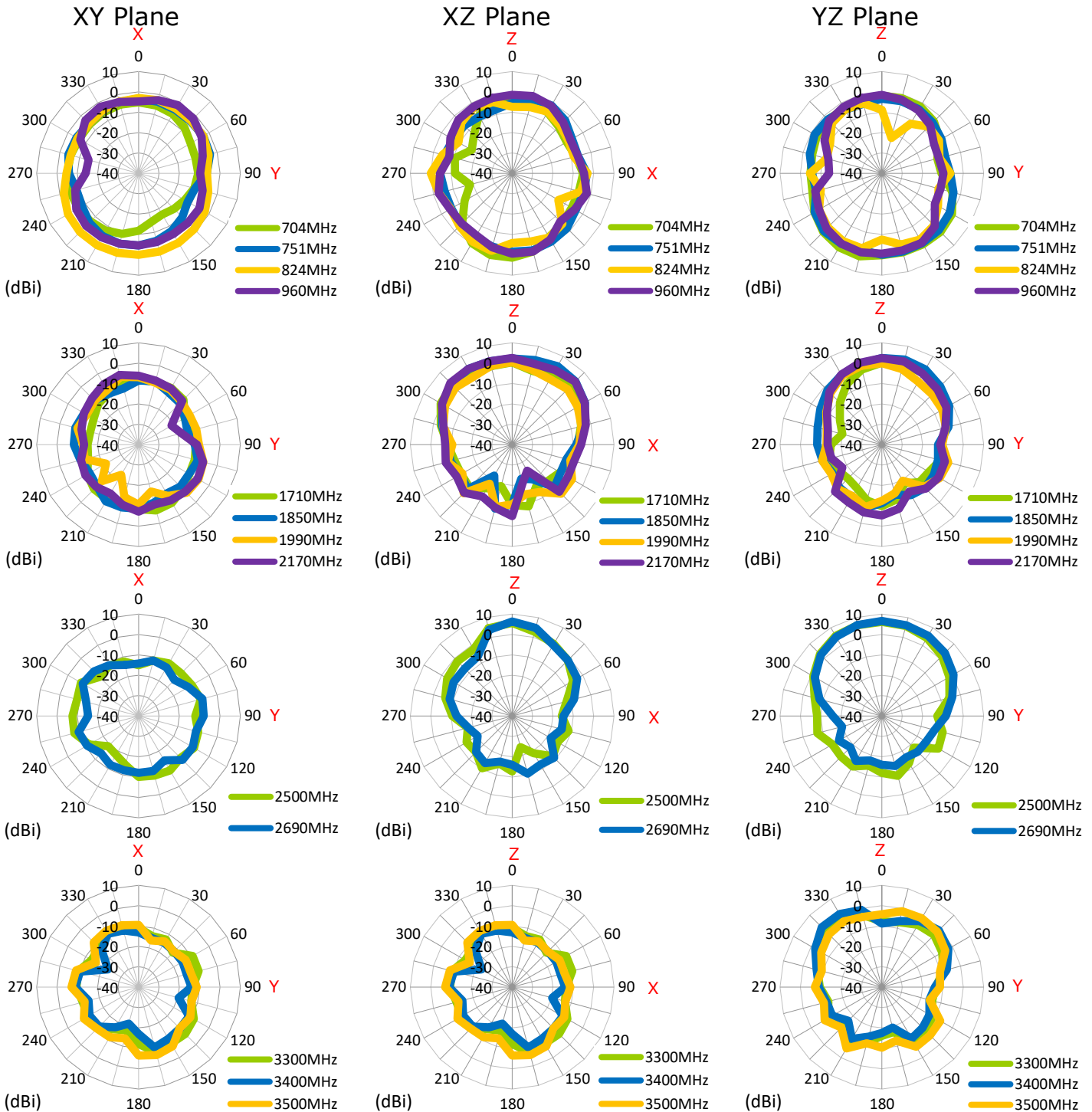
## 4.2. 2D Radiation Pattern (LTE MIMO1 Free Space)



### 4.3. 2D Radiation Pattern (LTE MIMO2 Free Space)

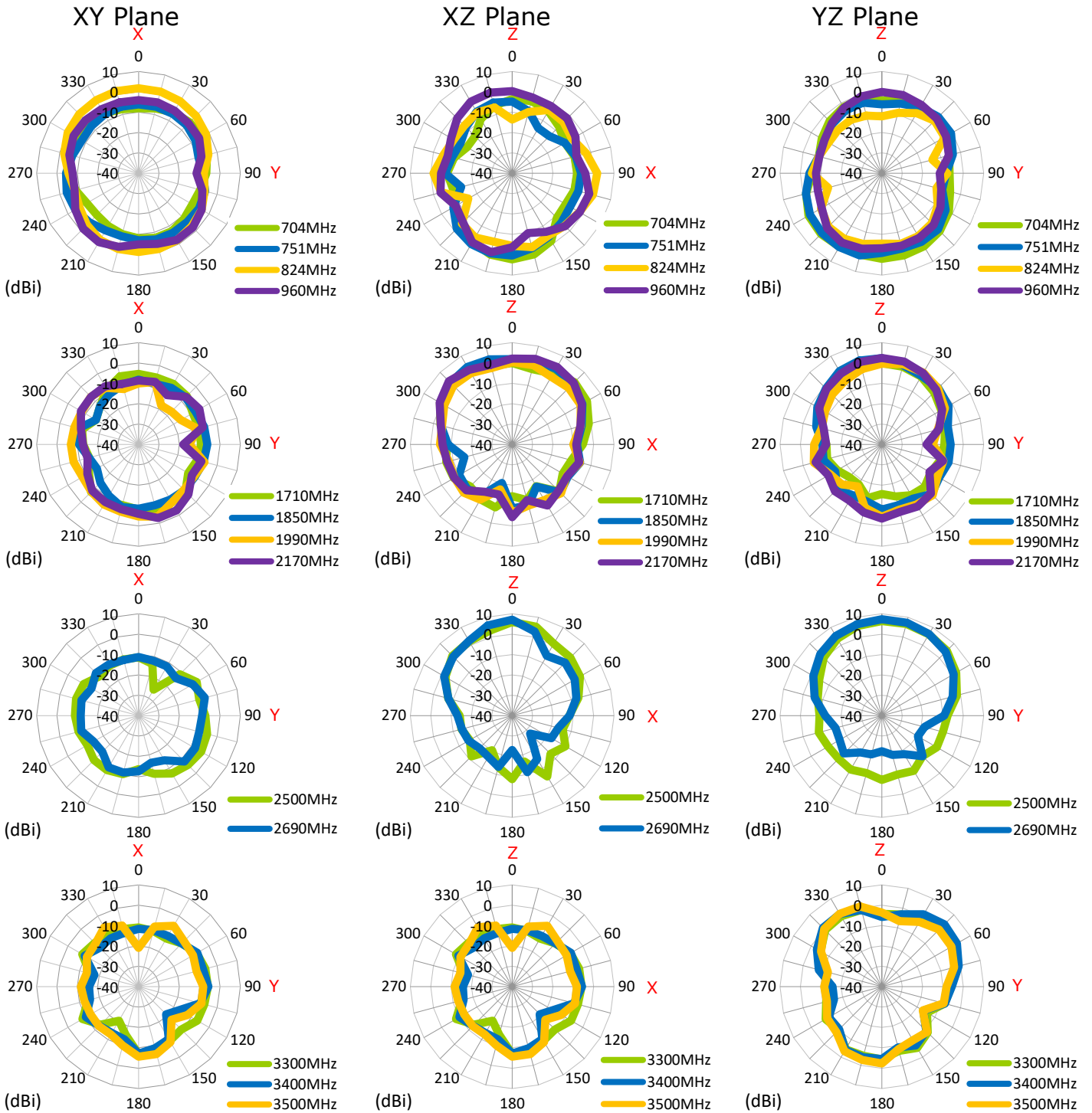


### 4.4. 2D Radiation Pattern (LTE MIMO1 on 30x30cm GND)



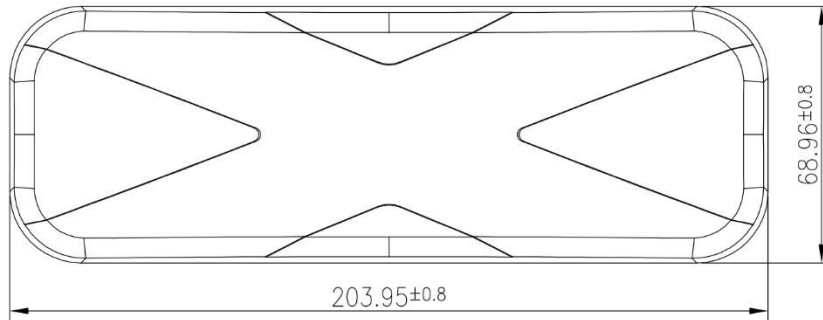


### 4.5. 2D Radiation Pattern (LTE MIMO2 on 30x30cm GND)

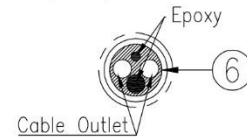


## 5. Mechanical Drawing (Unit: mm)

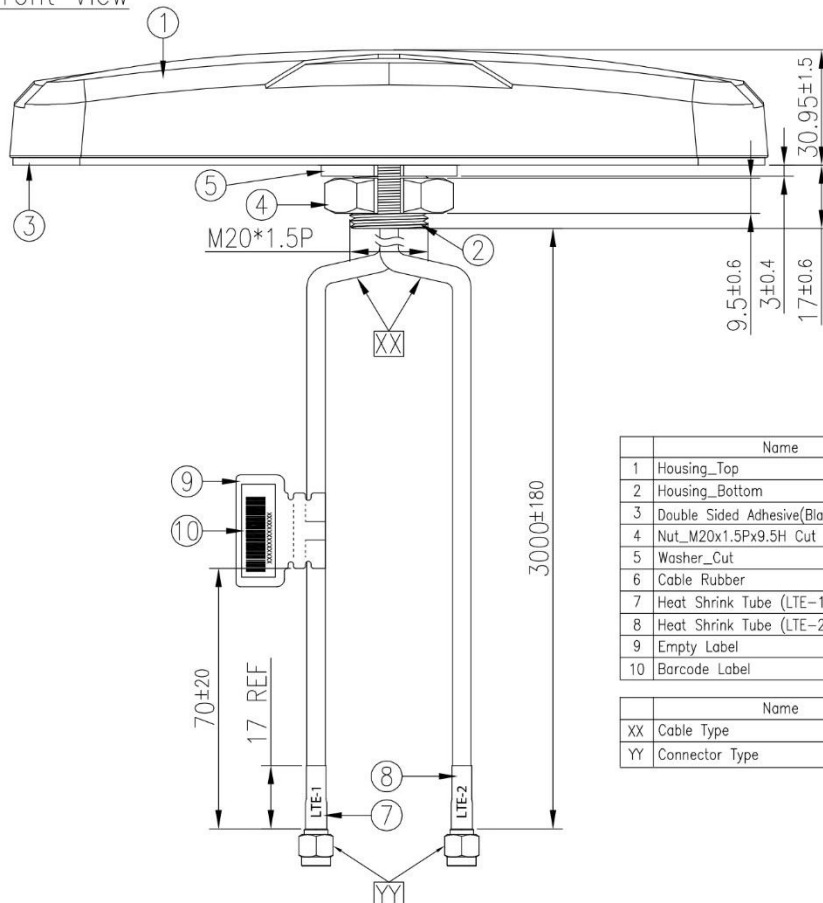
Top View



Bottom Thread View



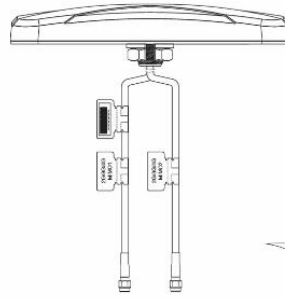
Front View



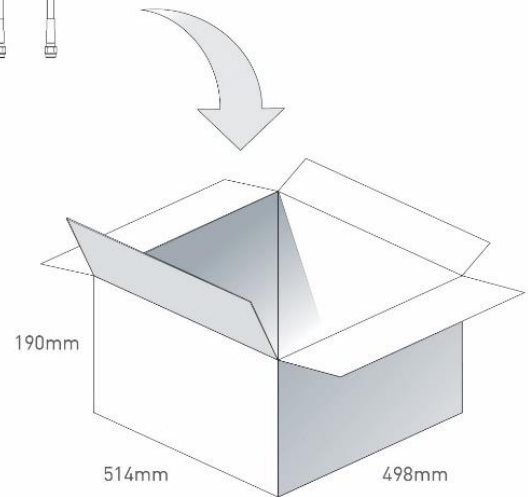
Name	Material	Finish	QTY
1 Housing_Top	ABS+PC	Black	1
2 Housing_Bottom	ABS+PC	Black	1
3 Double Sided Adhesive(Black Foam)	3M 9448HK+CR4305	White Liner	1
4 Nut_M20x1.5Px9.5H Cut	Steel	Ni-Zn Plated	1
5 Washer_Cut	Steel	Ni-Zn Plated	1
6 Cable Rubber	Silicone Rubber	Black	1
7 Heat Shrink Tube (LTE-1)	PE	White Text/Red Tube	1
8 Heat Shrink Tube (LTE-2)	PE	White Text/Red Tube	1
9 Empty Label	PEPA	White	1
10 Barcode Label	PET	White	1

Name	SPEC	Finish	QTY
XX Cable Type	CFD200	Black	2
YY Connector Type	SMA(M)ST	Au Plated	2

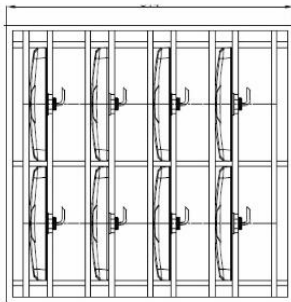
## 6. Packaging



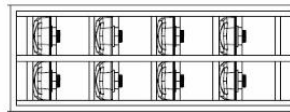
16 pcs MA170.A.BI.001 per carton  
 Carton Dimensions - 514\*498\*190mm  
 Total Weight - 18.9kg



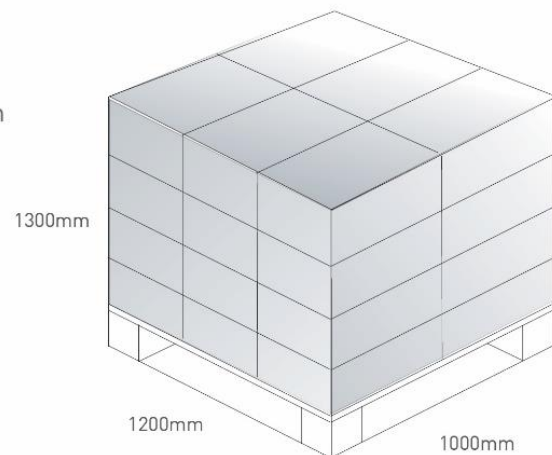
Carton top view



Carton top view



Pallet Dimensions 1200mm\*1000mm\*1300mm  
 24 Cartons per pallet  
 6 Cartons per layer  
 4 Layers



Taoglas makes no warranties based on the accuracy or completeness of the contents of this document and reserves the right to make changes to specifications and product descriptions at any time without notice. Taoglas reserves all rights to this document and the information contained herein.

Reproduction, use or disclosure to third parties without express permission is strictly prohibited.

Copyright © Taoglas Ltd.