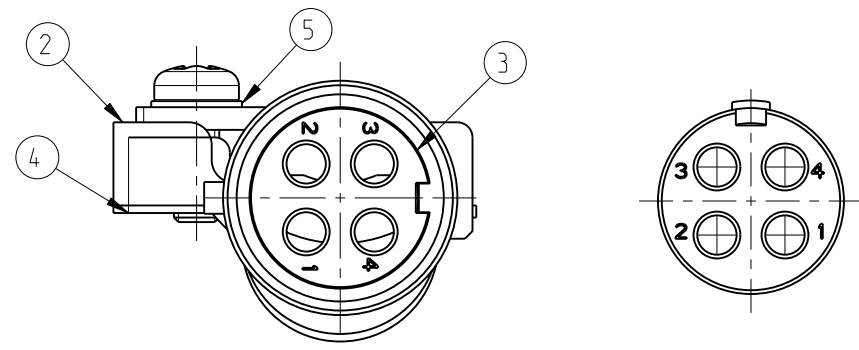


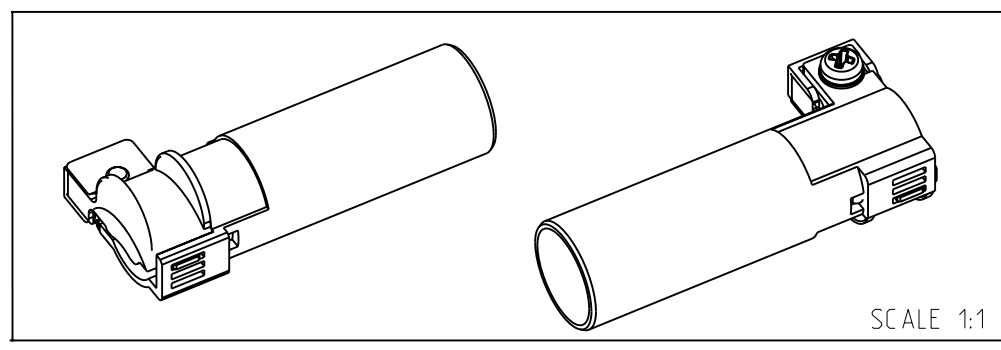
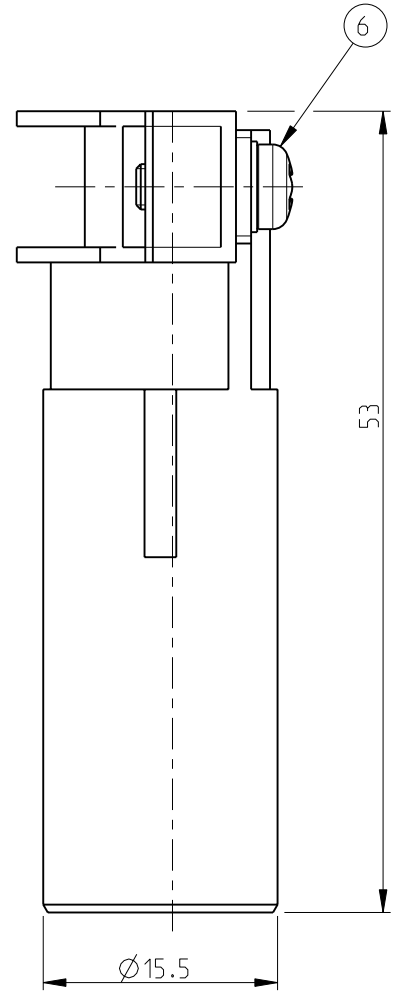
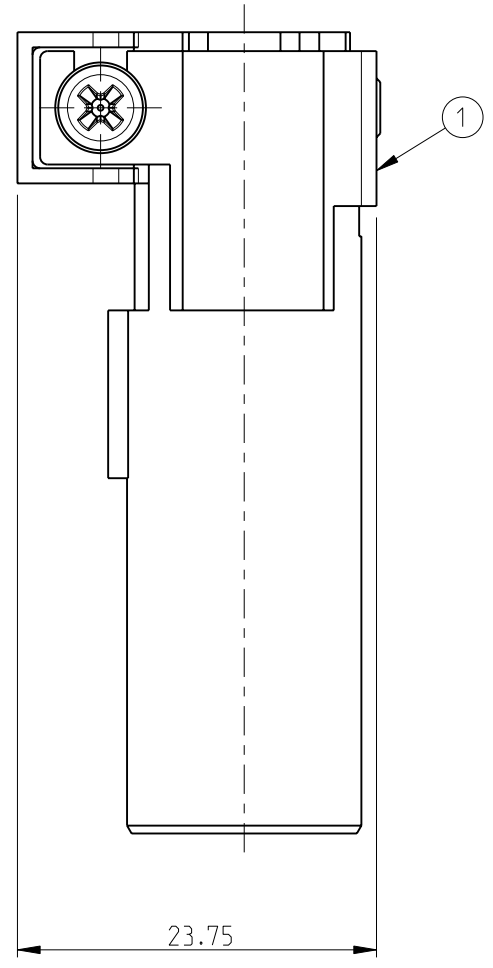
THIS DRAWING IS UNPUBLISHED. RELEASED FOR PUBLICATION 2000
 © COPYRIGHT 2000 BY TYCO ELECTRONICS CORPORATION. ALL RIGHTS RESERVED.

LOC	DIST	REVISIONS			
P	LTR	DESCRIPTION	DATE	DWN	APVD
A1		A3	RELEASED ASPER ECR-09-012227	29-May-09	GG TS

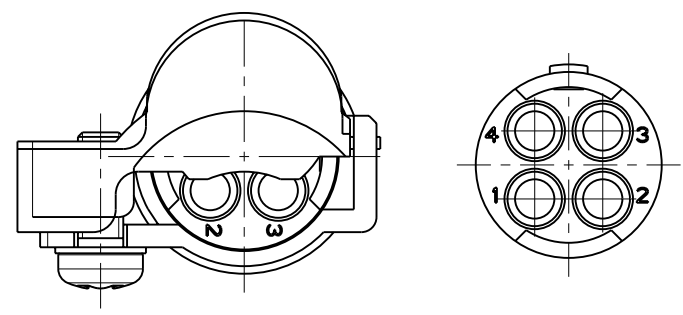
CONTACT ARRANGEMENT:
VIEW FROM CONNECTING SIDE



- NOTES
- SUITABLE CRIMP CONTACTS: SERIES HN.D
CUSTOMER DRAWING: 1105050
OUTER DIMENSIONS OF INSULATION: MAX. Ø4mm
 - SUITABLE MODULE FIXING FRAME: SERIES HVS SIZE 3 TO 8
CUSTOMER DRAWING: 1103250
 - SUITABLE INSERTION TOOL:
CUSTOMER DRAWING: 1102855
 - SUITABLE EXTRACTION TOOL:
CUSTOMER DRAWING: 1102855
 - STANDARDS:
DIN EN 61984; DIN EN 60664-1
 - PACKAGING:
10 SETS IN A CARTON, PRE-MOUNTED



CONTACT ARRANGEMENT:
VIEW FROM TERMINATION SIDE



PN 0-1 AS SHOWN

PN 0-1	DESCRIPTION	MATERIAL	SURFACE	COLOR	NOTE	ITEM NO
1	SCREW PAN HEAD	STEEL			ISO 7045 A2	6
1	SPRING WASHER, A3	STEEL	ZINC PLATED		DIN 137	5
1	CLOSING 3-6mm	ZINC				4
1	CONTACT INSERT MALE	PA66-GF25		BLACK		3
1	CLOSING 6-9mm	ZINC				2
1	SHIELD BARREL MALE	ZINC				1

THIS DRAWING IS A CONTROLLED DOCUMENT FOR TYCO ELECTRONICS CORPORATION. IT IS SUBJECT TO CHANGE AND THE CONTROLLING ENGINEERING ORGANIZATION SHOULD BE CONTACTED FOR THE LATEST REVISION.

DIMENSIONS: mm	TOLERANCES UNLESS OTHERWISE SPECIFIED: ISO 8075 DIN ISO 2768 mH-E DIN 16901-120	DWN SCHNEIDER 21.02.2006	Tyco Electronics AMP GmbH 53757 Sankt Augustin, Germany	
	0 PLC ± 1 PLC ± 2 PLC ± 3 PLC ± 4 PLC ± ANGLES ±	CHK A.GAST 21.02.2006	NAME SHIELD BARREL MALE HVS-TX.HN.D.4.ST1	
MATERIAL	FINISH	APVD T.SCHNURPFILL 21.02.2006	PRODUCT SPEC 108-74086	RESTRICTED TO
		APPLICATION SPEC 114-74088	WEIGHT	
		CUSTOMER DRAWING	SCALE 5:1	SHEET 1 OF 1