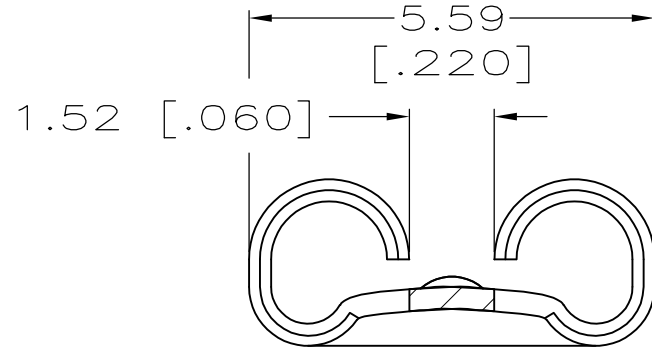
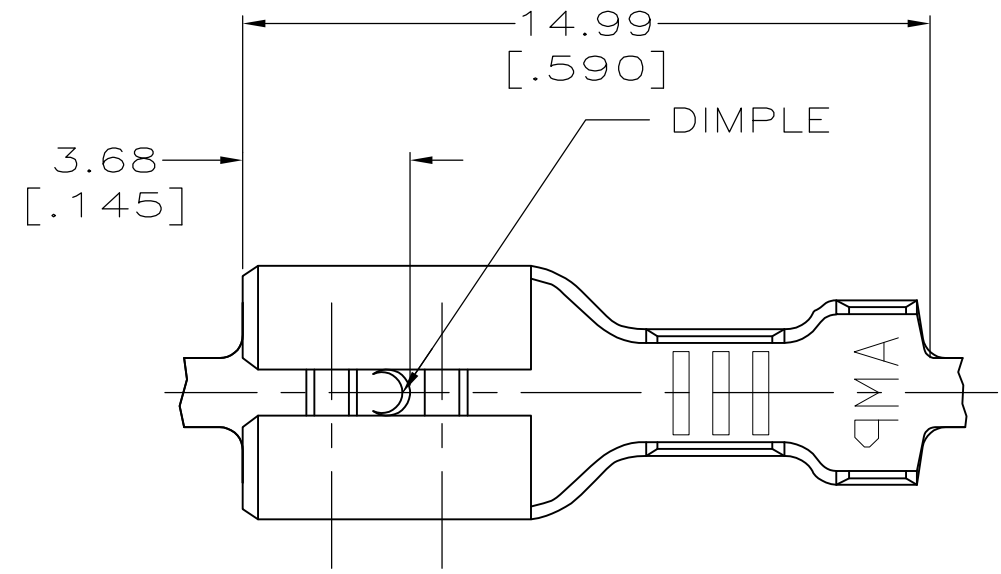


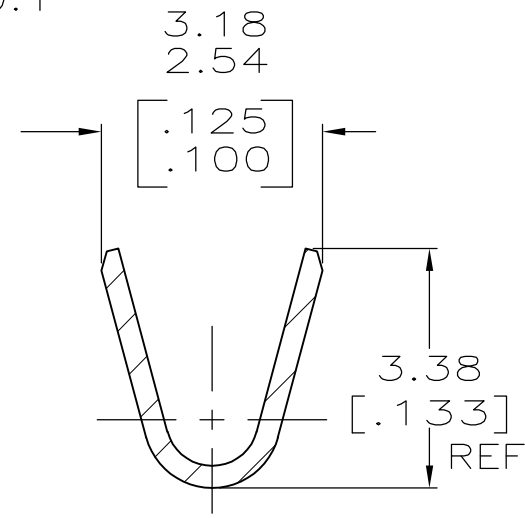
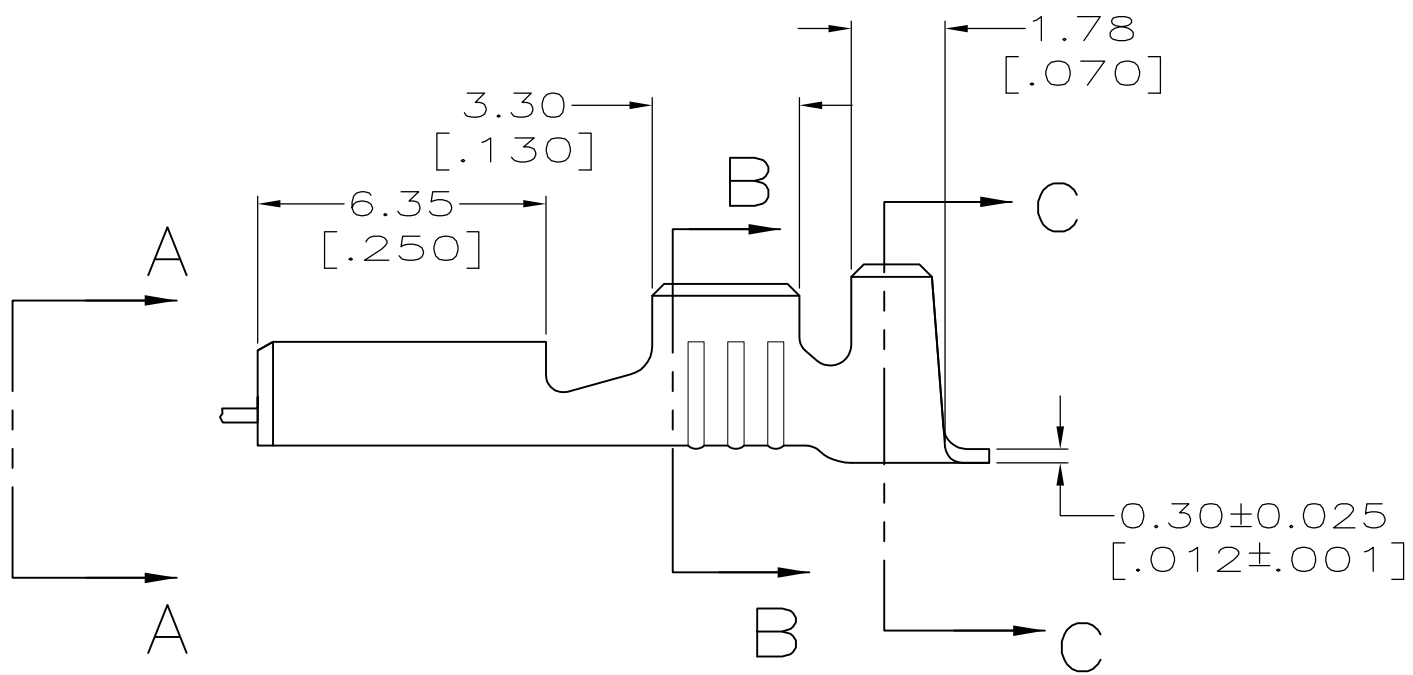
THIS DRAWING IS UNPUBLISHED. RELEASED FOR PUBLICATION
 © COPYRIGHT - By - ALL RIGHTS RESERVED.

LOC	DIST	REVISIONS			
P	LTR	DESCRIPTION	DATE	DWN	APVD
AF	50	F	REVISED PER ECR-12-013459	27NOV2012	KH PD

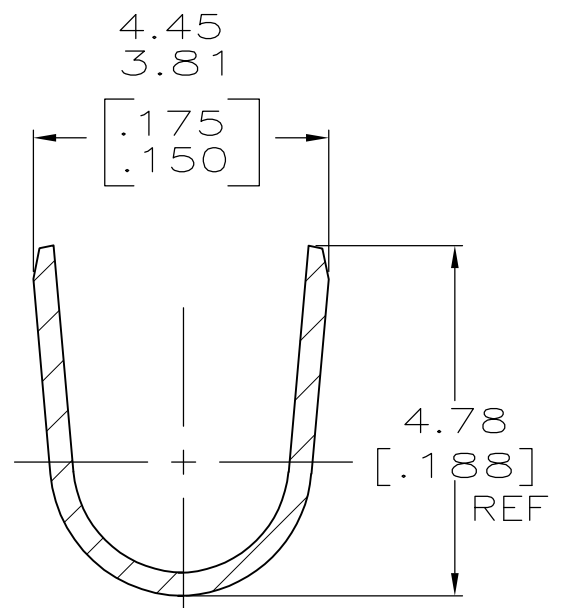
- CONTINUOUS STRIP ON REELS.
- MATING TAB THK IS 0.81 ± 0.025 [.032 ± .001].
- WIRE SIZE IS [#20-#16] AWG.
- INSULATION RANGE IS 2.29-3.30 [.090-.130] DIA.



VIEW A-A
SCALE 10:1



SECTION B-B
SCALE 10:1



SECTION C-C
SCALE 10:1

62865-1
PART NO

THIS DRAWING IS A CONTROLLED DOCUMENT.		DWN	JR RUTH	1/29/98	TE Connectivity			NAME RECEPTACLE, FASTON, 4.75 [.187] SERIES					
DIMENSIONS: mm [INCHES]		CHK	MS FEHER	1/29/98									
TOLERANCES UNLESS OTHERWISE SPECIFIED:		APVD	J GILLESPIE	1/29/98									
0 PLC ± - 1 PLC ± - 2 PLC ± - 3 PLC ± 0.38 [.015] 4 PLC ± - ANGLES ± -		PRODUCT SPEC		NAME									
MATERIAL	BRASS	FINISH	TIN	WEIGHT	-	SIZE	A3	CAGE CODE	00779	DRAWING NO	C-62865	RESTRICTED TO	-
CUSTOMER DRAWING						SCALE	6:1	SHEET	1 OF 1	REV	F		