

Apr.1.2017 Copyright 2017 HIROSE ELECTRIC CO., LTD. All Rights Reserved.

COUNT	DESCRIPTION OF REVISIONS	BY	CHKD	DATE	COUNT	DESCRIPTION OF REVISIONS	BY	CHKD	DATE
2	DIS-H-002388	T.Y		7.11.07.08.27					

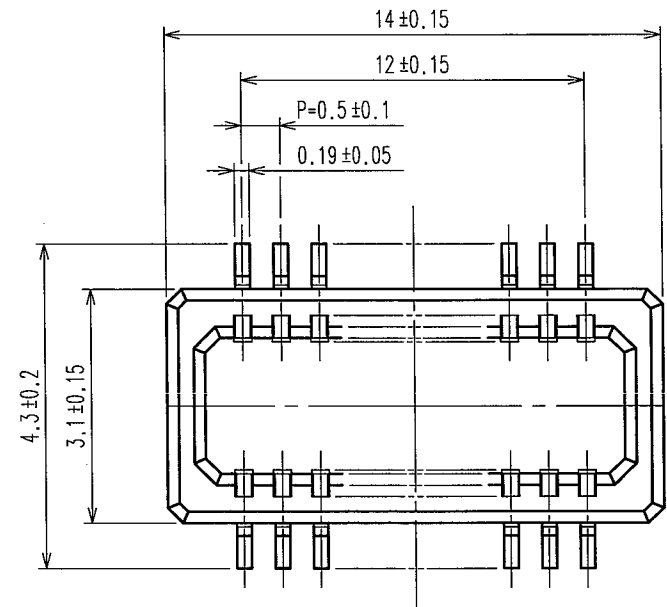


Fig.1 : RECOMMENDED PATTERN

Fig.2 : PLATING SPECIFICATION (40:1)

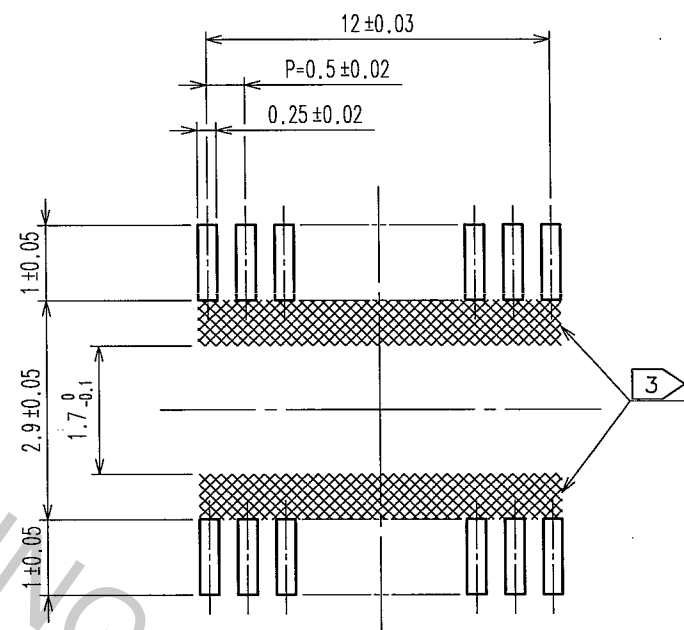


Fig.3 : A-A CROSS SECTION VIEW

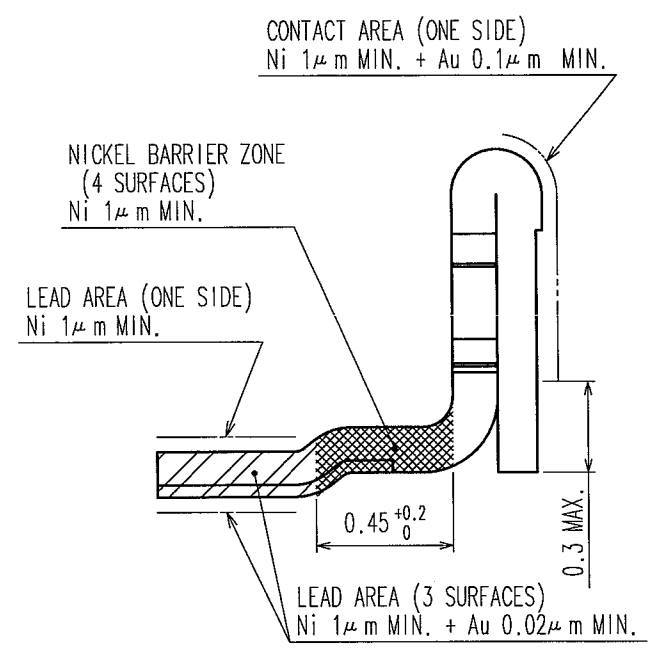
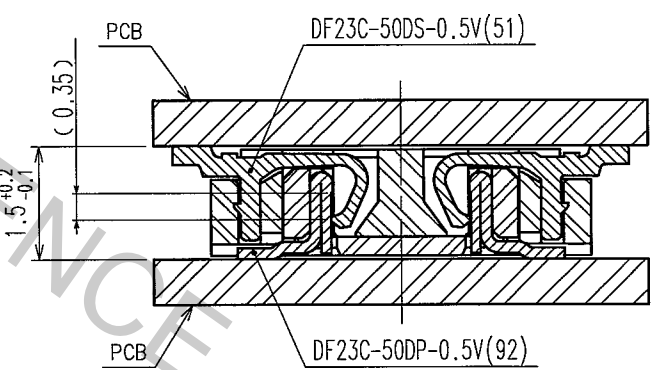
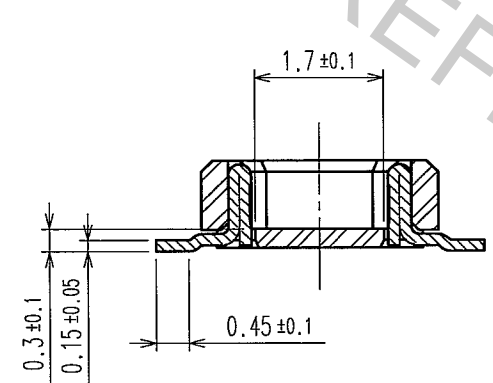
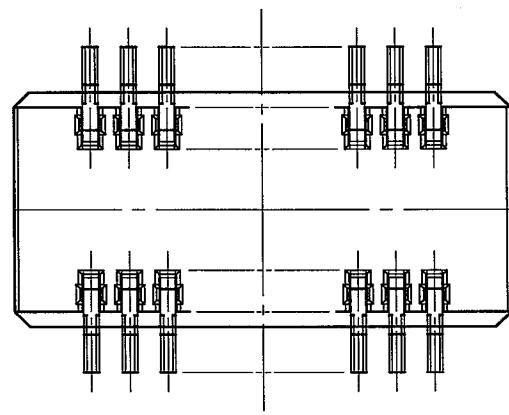
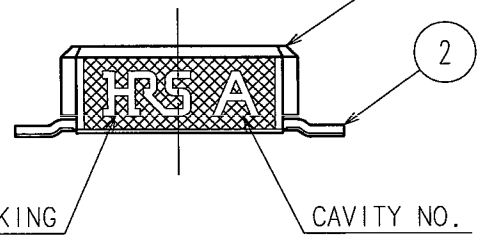
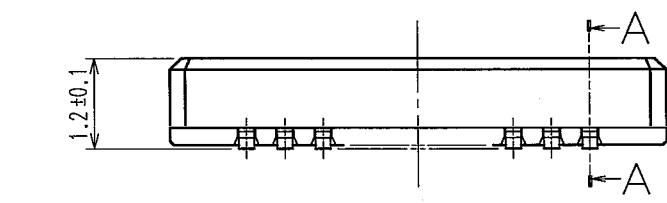


Fig.4 : MATING VIEW



NOTES 1 LEAD CO-PLANARITY SHALL BE 0.1mm MAX.
 2 REFER TO Fig.2
 3 WHEN A PART MARKED WITH HAS A PATTERN BUT NO RESIST ON IT, TAKE CARE TO PREVENT THE CONNECTOR FROM TOUCHING IT.

2	PHOSPHOR BRONZE		5	PS	BLACK(PLASTIC REEL)
1	LCP	BLACK,UL94V-0	4	POLYESTER	CLEAR
			3	PS	CLEAR
NO.	MATERIAL	FINISH, REMARKS	NO.	MATERIAL	FINISH, REMARKS

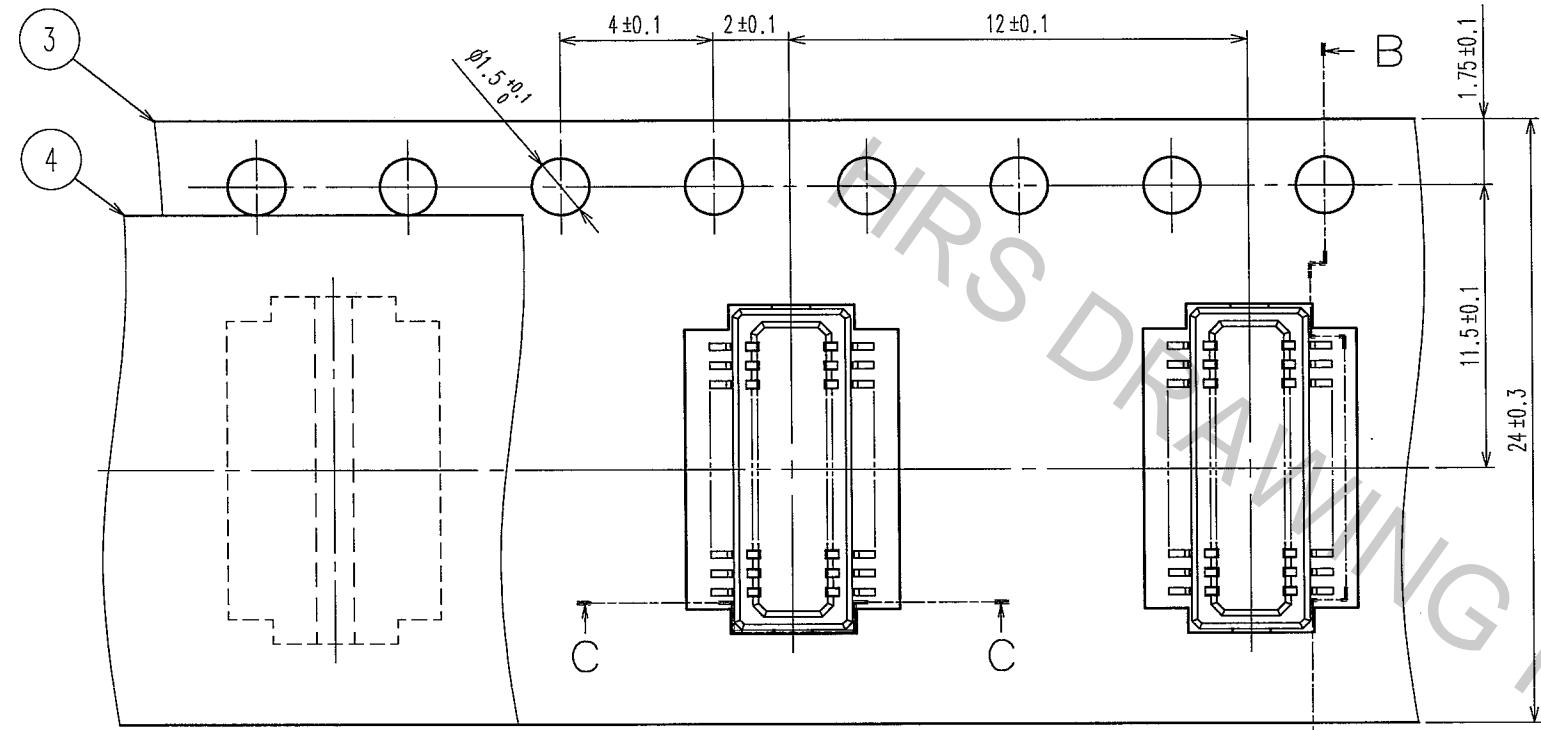
CODE NO. (OLD)	DRAWN	DESIGNED	CHECKED	APPROVED	RELEASED
	F.Matsuki	T.Yamamoto	K.Akiyama	K.Akiyama	
	'03.10.07	'03.10.07	'03.10.07	'03.10.07	

SCALE	10 : 1	DRAWING NO.	EDC3-164006-03	PART NO.	DF23C-50DP-0.5V(92)
UNITS	mm	HRS	HIROSE ELECTRIC CO., LTD	CODE NO.	CL688-0804-6-92
					1/2

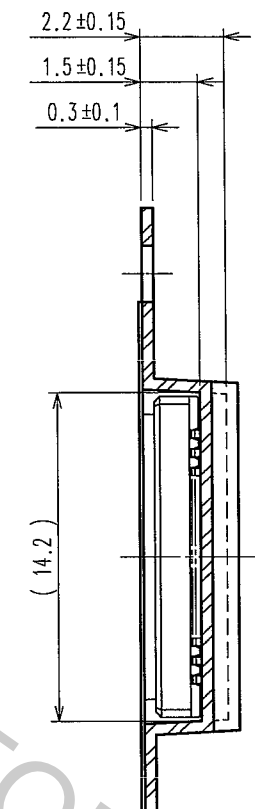
ACB

Apr.1.2017 Copyright 2017 HIROSE ELECTRIC CO., LTD. All Rights Reserved.

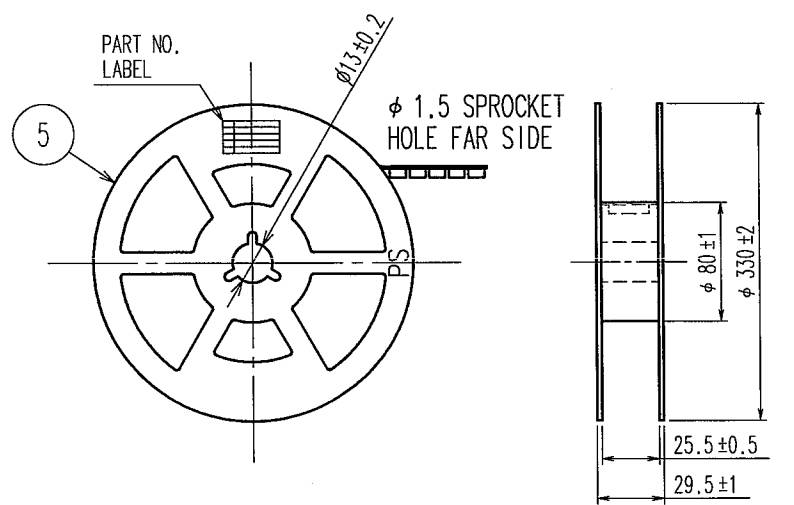
COUNT	DESCRIPTION OF REVISIONS	BY	CHKD	DATE	COUNT	DESCRIPTION OF REVISIONS	BY	CHKD	DATE



B-B



△ Fig.6 : REEL DIMENSIONS (FREE)

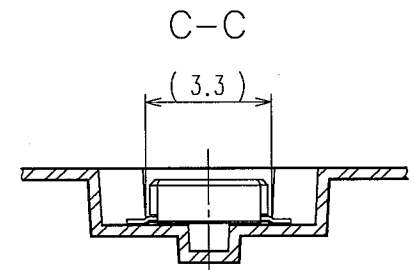


7> DETAIL OF PART NO. LABEL

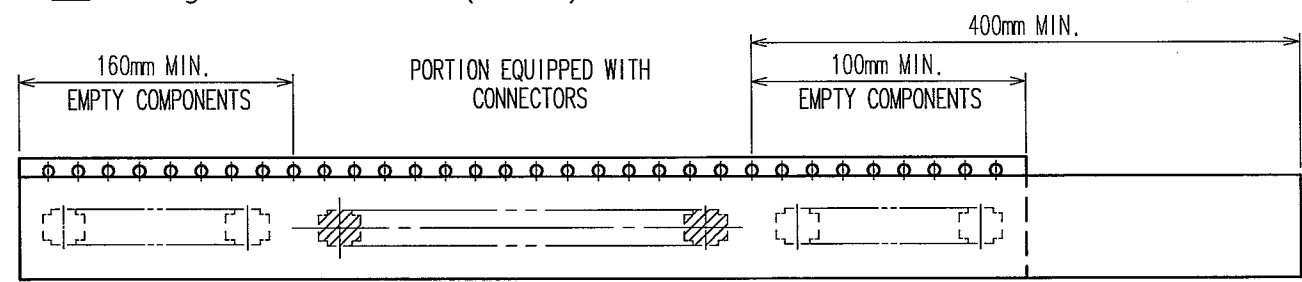
DATE OF MANUFACTURED	** * * *
CODE NO.	CL688-0804-6-92
PART NO.	DF23C-50DP-0.5V(92)
QUANTITY	2000
SUPPLIER	HIROSE ELECTRIC CO.,LTD.

Fig.7 : PACKAGING SPECIFICATION (FREE)

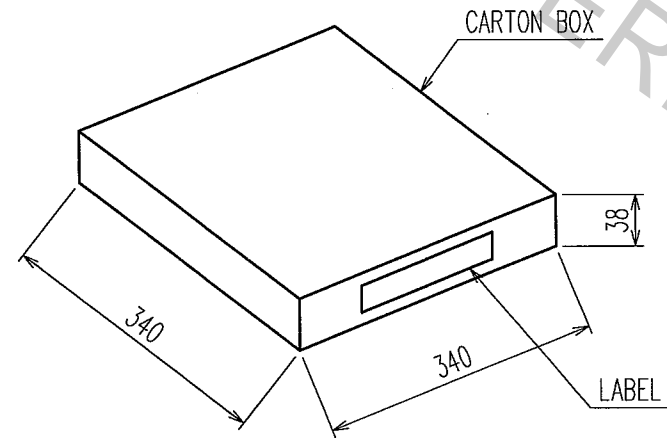
DIRECTION OF UNREELING →



6> Fig.5 : TAPING (FREE)



PACKAGING DIMENSION



DETAIL OF LABEL

品名	688-0804-6-92	数量	1RL
PART NO.	DF23C-50DP-0.5V(92)	QTY	2000 個
PART NO.	NUMBER OF PRODUCTS PER REEL		

TRAILER

LEADER

- NOTES
- 4 PER REEL 2000 CONNECTORS
 - 5 THE DIMENSIONS IN PARENTHESES ARE FOR REFERENCE.
 - 6> REFER TO JIS C 0806 (PACKAGING OF COMPONENTS FOR AUTOMATIC HANDLING)
 - 7> DETAIL OF PART NO. LABEL IS WRITTEN IN JAPANESE.

CODE NO. (OLD)	DRAWN	DESIGNED	CHECKED	APPROVED	RELEASED
	F.Matsuki	T.Yamamoto	K.Akiyama	K.Akiyama	
	'03.10.07	'03.10.07	'03.10.07	'03.10.07	
SCALE	DRAWING NO.		PART NO.		
5 : 1	EDC3-164006-03		DF23C-50DP-0.5V(92)		
UNITS	HIROSE ELECTRIC CO., LTD		CODE NO.		
mm	HRS		CL688-0804-6-92		