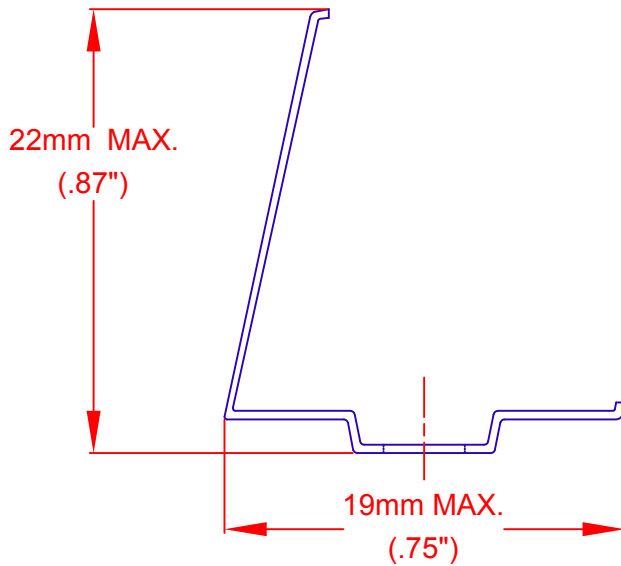
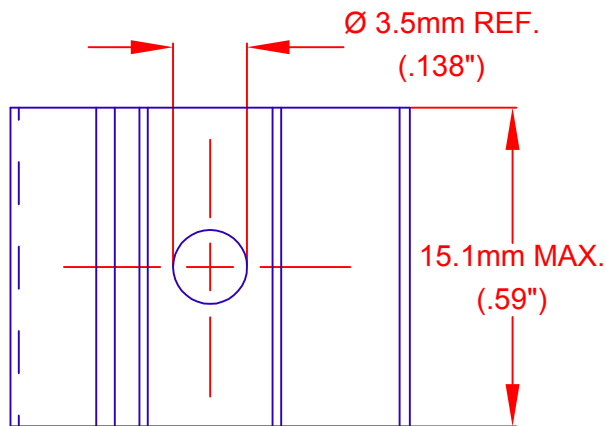


FEATURES

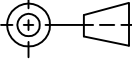
Mounting Clip for the ZFC-18C-PC
Polycarbonate LED Corner Channel Rails.



NOTES:

1. Use #5 Flat Head Screw for Mounting.
2. Operating Temperature -26 C to +100 C Degrees.
3. Material: Nickel Plated Steel.

JKL PART NUMBER: ZRC-18C-MC

			METRIC  THIRD ANGLE PROJECTION		DIMENSIONS ARE IN MILLIMETERS (INCHES) TOLERANCE UNLESS OTHERWISE SPECIFIED 1 PL +/- REF. 2 PL +/- REF. ANGLE +/-		JKL COMPONENTS CORPORATION			
			DRAWN BY L. WENGSTROM		APPV'D BY L.R.		DATE 11/11/15		TITLE METAL MOUNTING CLIP FOR LED CORNER CHANNEL RAIL	
B DIMENSION CHANGE 21 MAX TO 22 MAX A CHANGE HOLE DIAMETER TO 3.5mm RELEASE			11/11/15		7/7/15		6/22/15		SIZE A FSCM NO. 55335 DRAWING NO. ZRC-18C-MC	
REV. NO. DESCRIPTION/ECO NUMBER APPVD DATE			- CAD DRAWING - MANUAL REVISIONS NOT PERMITTED		SCALE NONE		RELEASED DATE 6/22/15 REVISION DATE 11/11/15		REV. NO. B SHEET 1 OF 1	