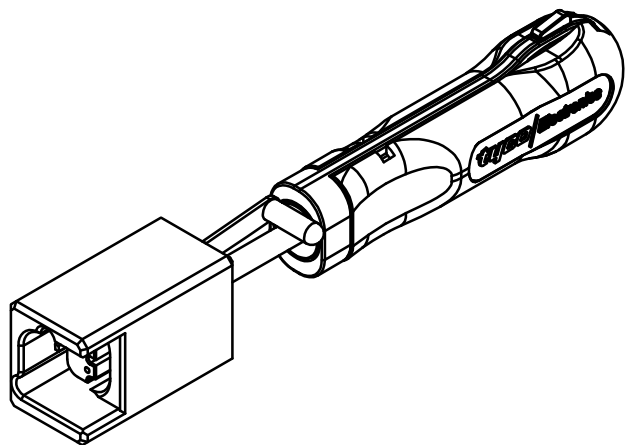
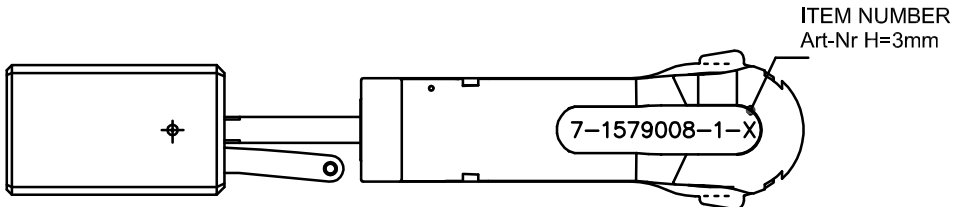
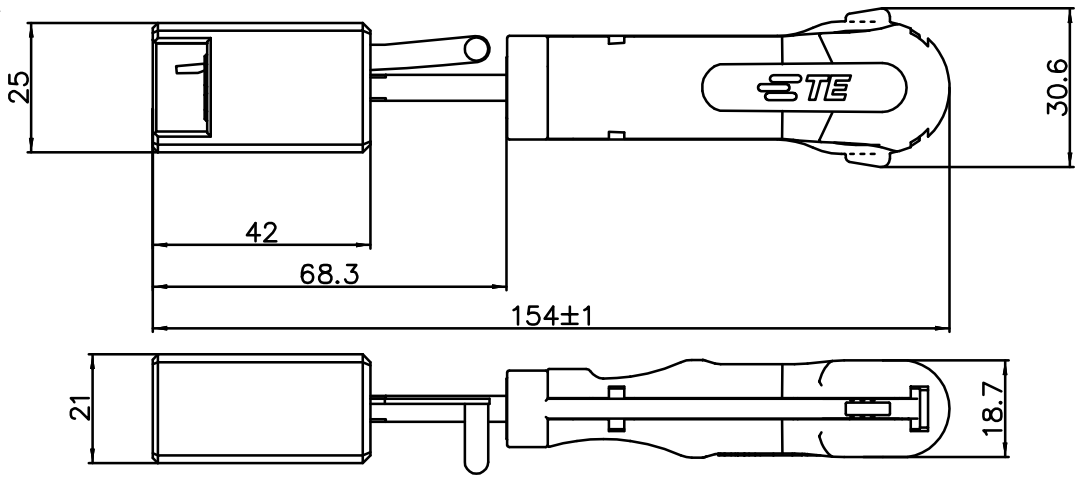



LDC	DIST	REVISIONS			
P	LTR	DESCRIPTION	DATE	DWN	APVD
-	-	A2	ECR-15-004414	19MAR15	KH RG



**APPLICATION RANGE / Anwendungsbereich :**

CONTACT MQS: 962886, 965908  
 HOUSING 3 Pos. MQS: 967082, 967167

<b>THIS DRAWING IS A CONTROLLED DOCUMENT.</b>		DWN S. Samstag 04.06.2008	 TE Connectivity	
DIMENSIONS: mm		CHK S. Samstag 04.06.2008		
TOLERANCES UNLESS OTHERWISE SPECIFIED:		APVD S. Samstag 04.06.2008	NAME	
0 PLC ± -		PRODUCT SPEC		
1 PLC ± -		APPLICATION SPEC		
2 PLC ± -		WEIGHT 0,000kg		
3 PLC ± -		SIZE A3		
4 PLC ± -		CAGE CODE 00779		
ANGLES ± -		DRAWING NO C=7-1579008-1		
MATERIAL		RESTRICTED TO		
FINISH		CUSTOMER DRAWING		
		SCALE 1:1		SHEET 1 OF 1
		REV A2		