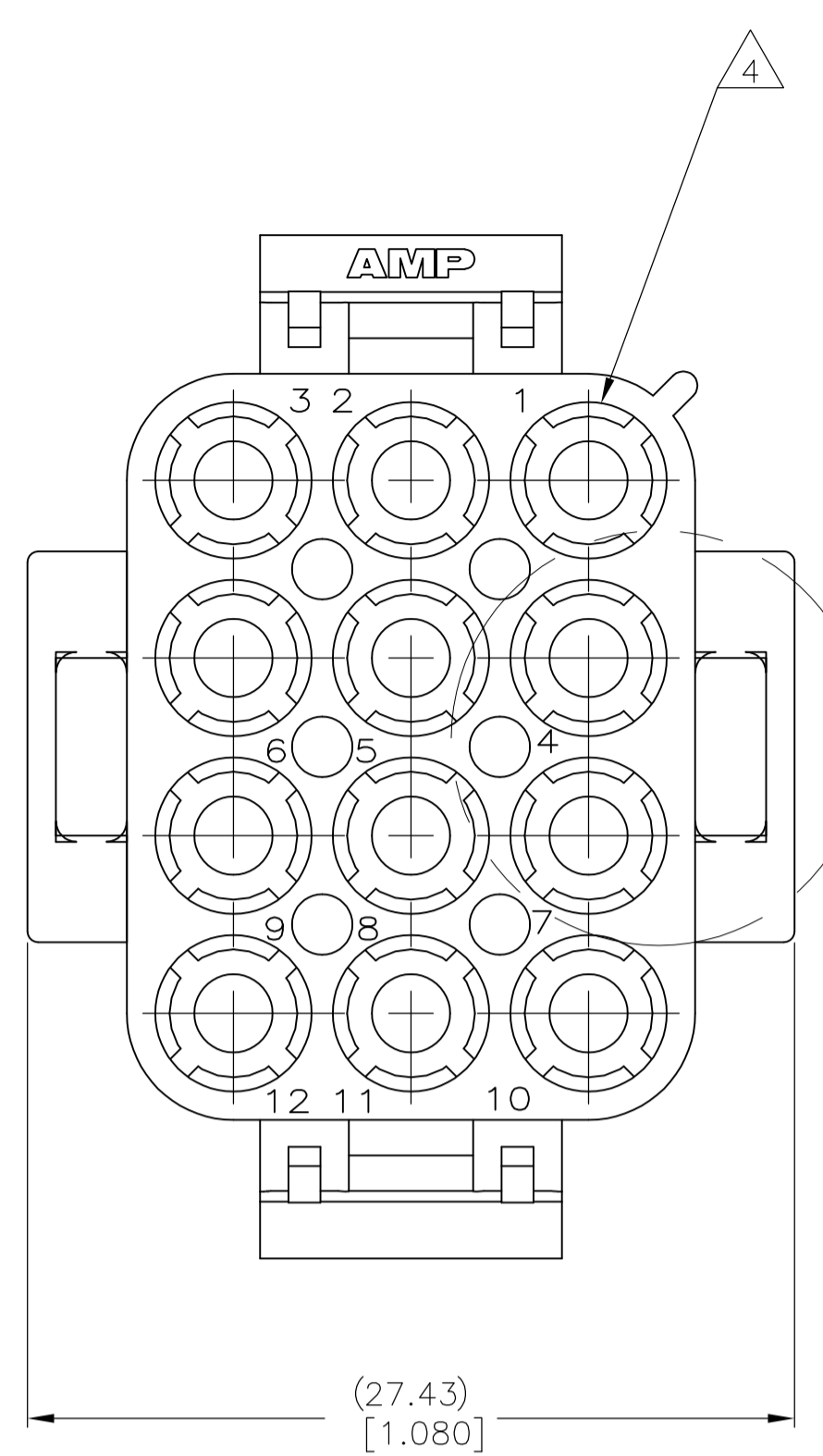
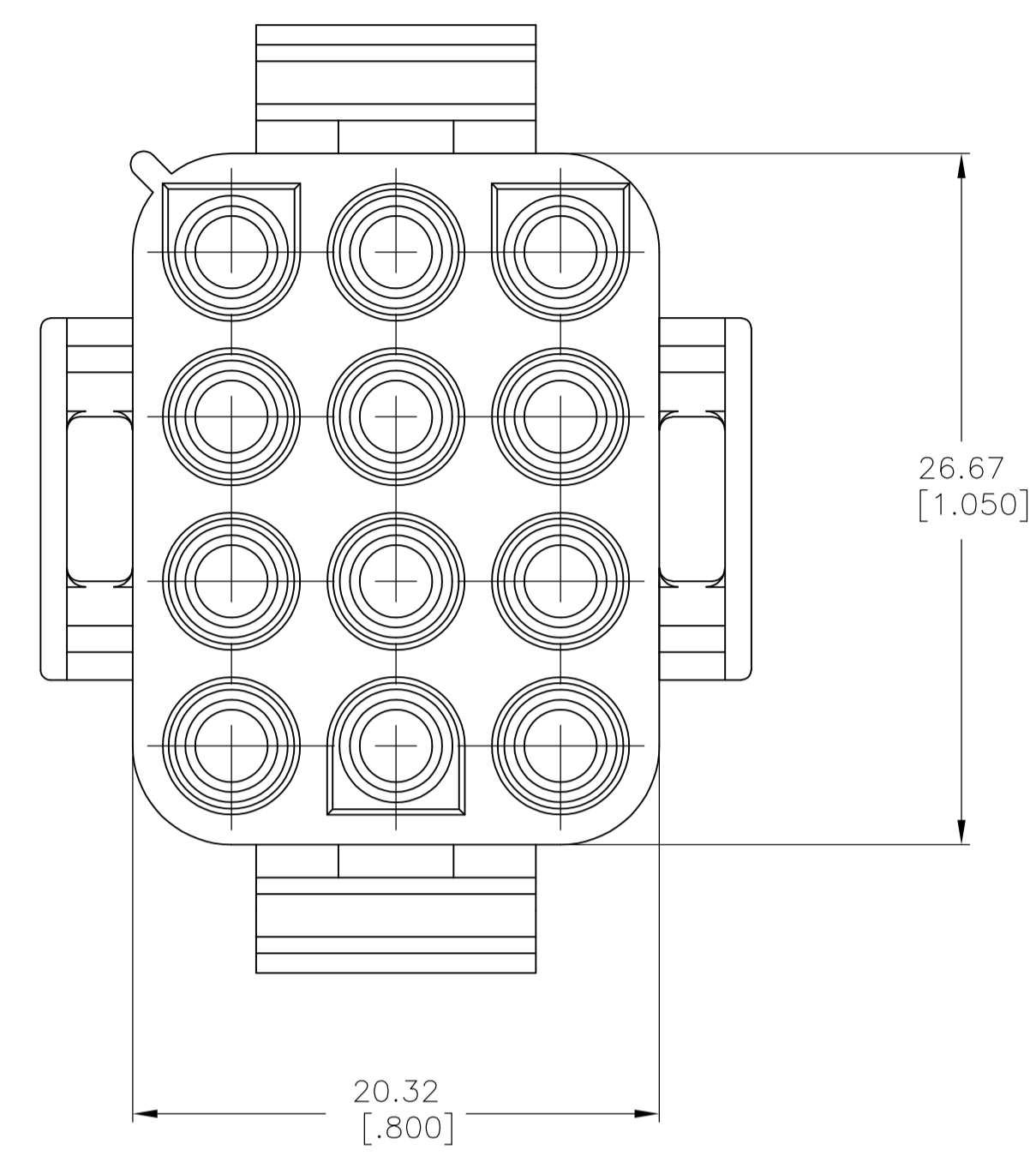
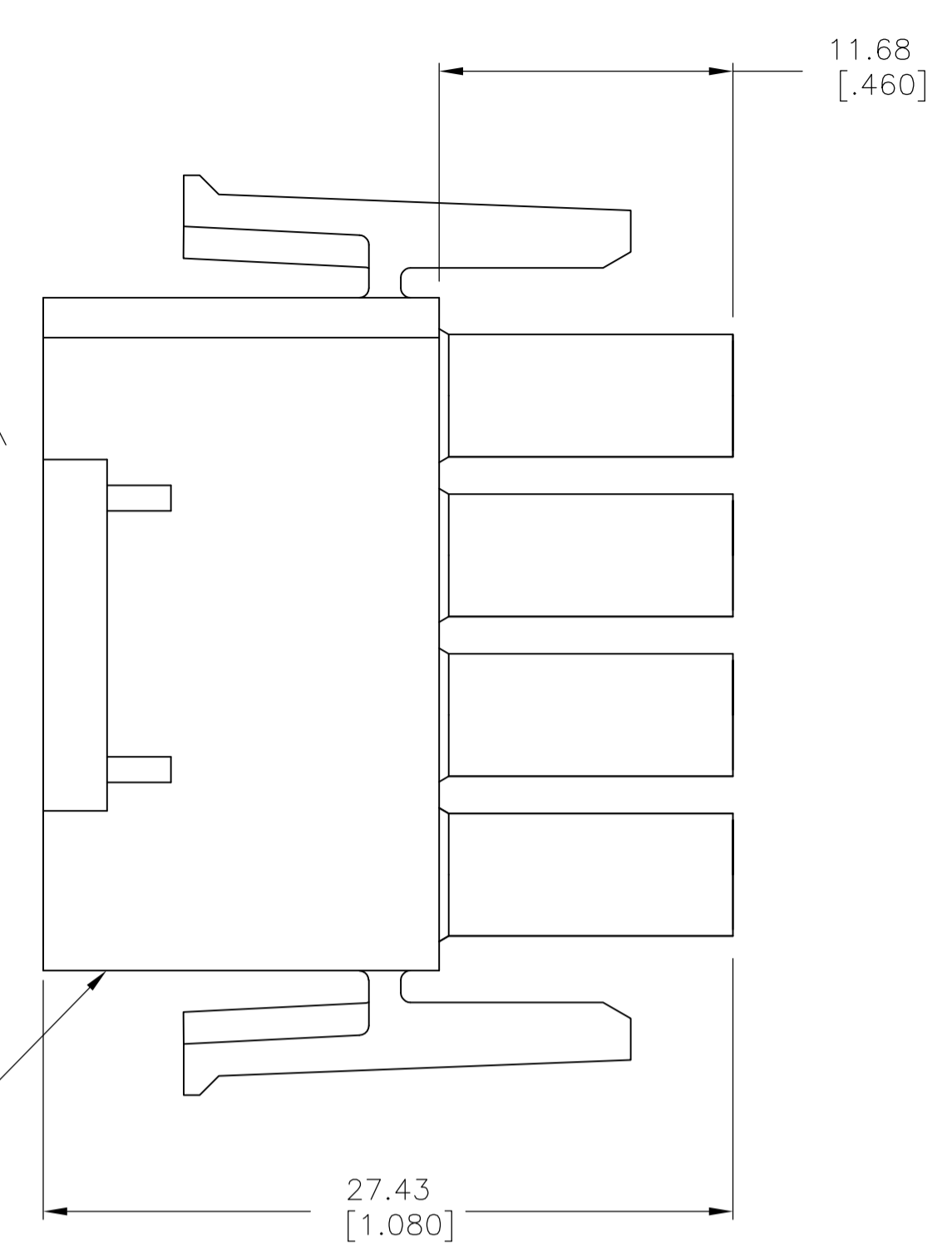


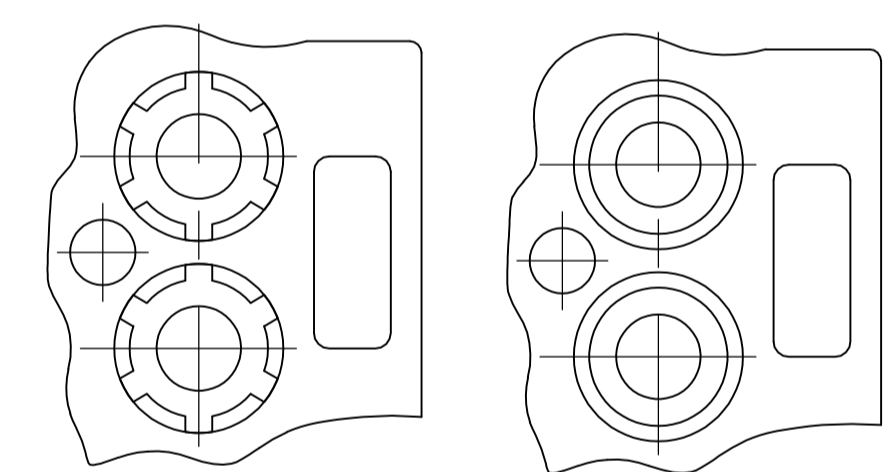
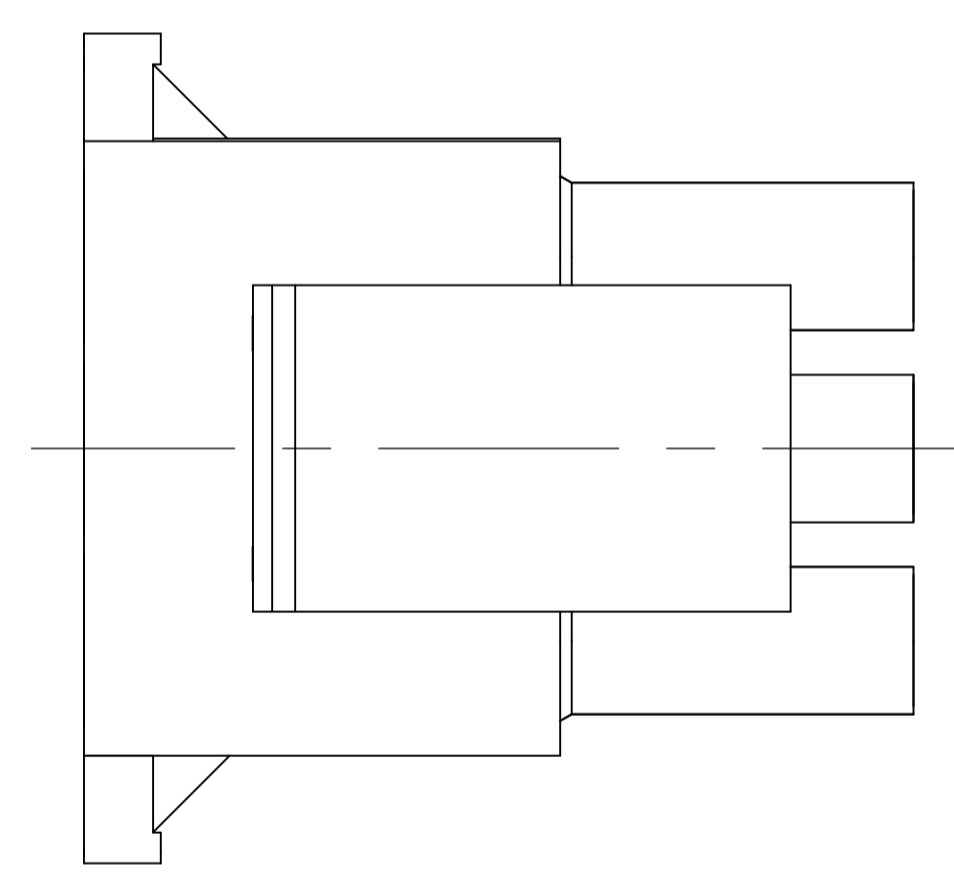
LOC		DIST		REVISIONS			
CM	00	REV	DATE	BY	CHK	APPV	
AP3	REVISED PER ECR-17-008392		28JUN2017	BW	KR		



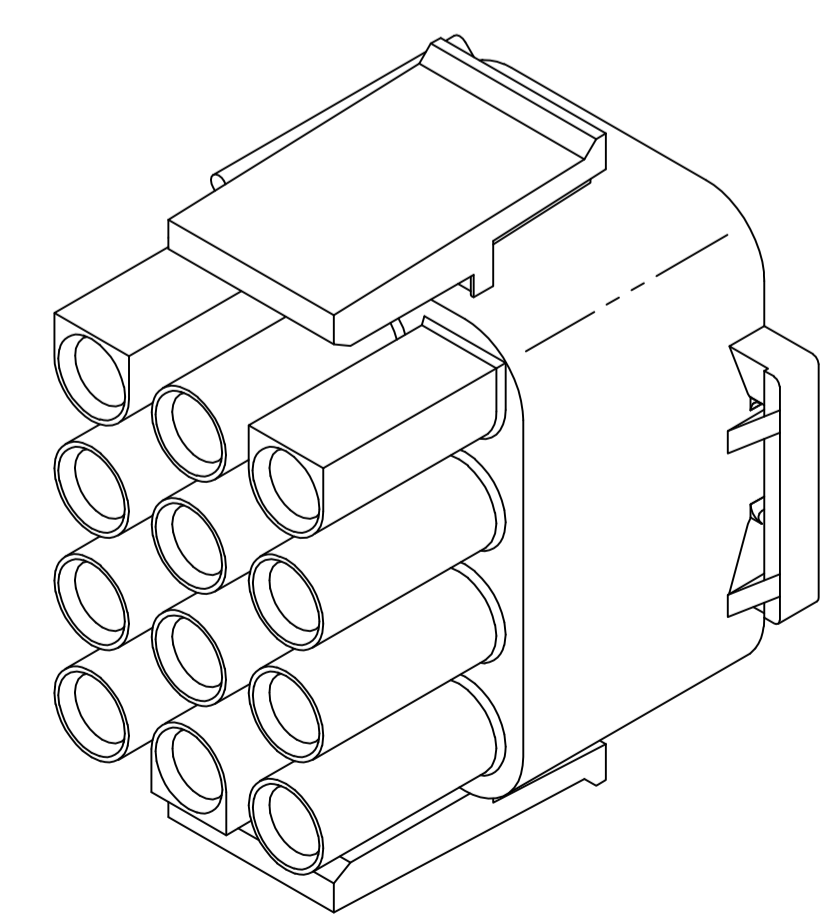
SEE DETAIL A



- 1 MATES WITH APPROPRIATE UNIVERSAL MATE-N-LOK™ CAP OR HEADER.
- 2 SMALL NICKS ARE PERMITTED ON THE CIRCUIT TOWERS WHICH COULD INCREASE THE INITIAL HOUSING MATING FORCE BY UP TO 4.4 NEWTONS [1.0 LBS]. NO INDIVIDUAL NICKED TOWER SHALL INCREASE THIS FORCE BY OVER 2.2 NEWTONS [.5 LBS].
- 3 DIMENSIONS SHOWN REPRESENT PRODUCT IN DRY, AS MOLDED, CONDITION. ADDITIONAL 2% GROWTH DUE TO SUBSEQUENT MOISTURE ABSORPTION MAY OCCUR AND SHOULD BE ACCOUNTED FOR.
- 4 FOUR RIBS EQUALLY SPACED, NO SPECIFIC ORIENTATION. NO RIBS OR SIX RIBS EQUALLY SPACED, NO SPECIFIC ORIENTATION, OPTIONAL.
- 5 UNDERWRITERS RECOGNIZED COMPONENT LOGO AND CSA CERTIFICATION LOGO TO BE LOCATED ONCE EACH ON SIDE OF HOUSING.
- 6 OBSOLETE PARTS: OBSOLETE CIS STREAMLINING PER D.RENAUD/D.SINISI



DETAIL A
OPTIONAL CONSTRUCTION

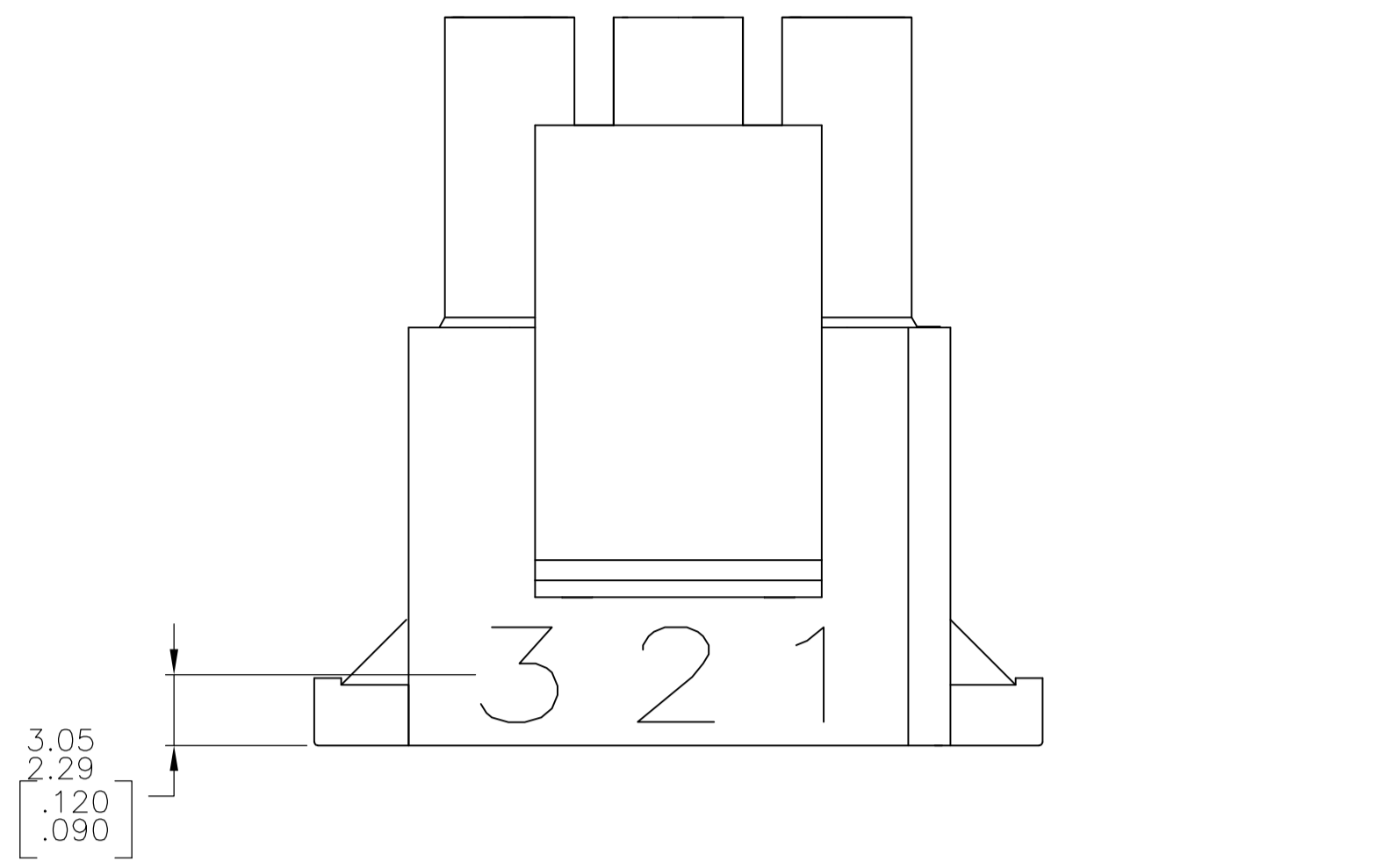


3-DIMENSIONAL MODEL
NTS

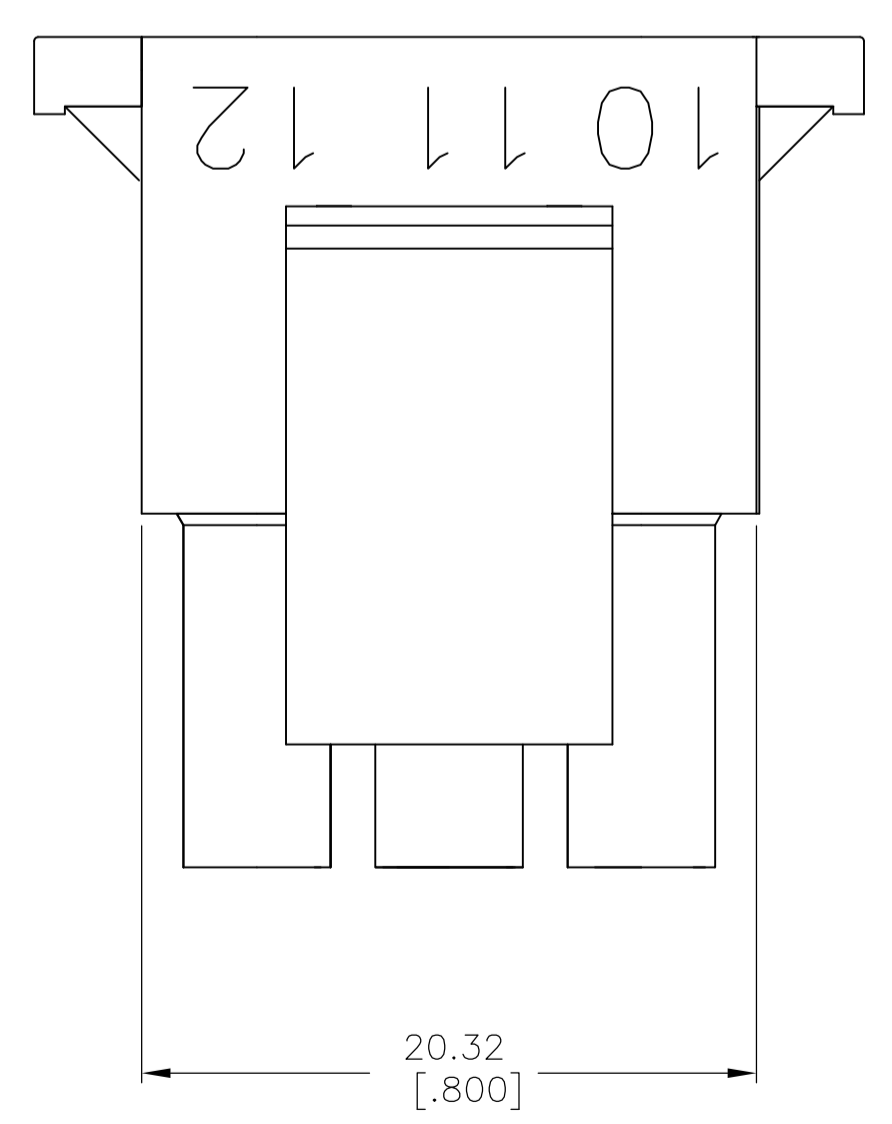
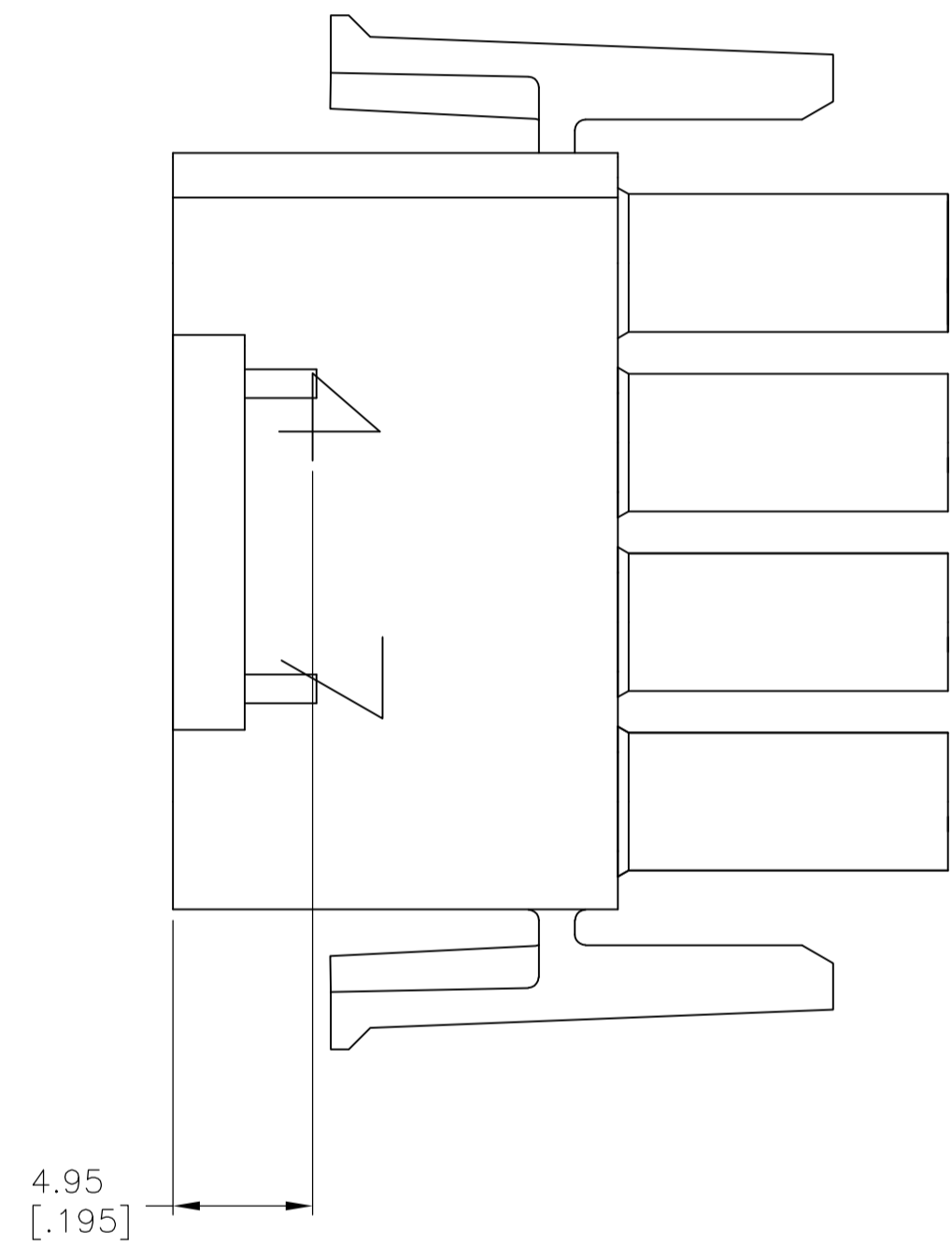
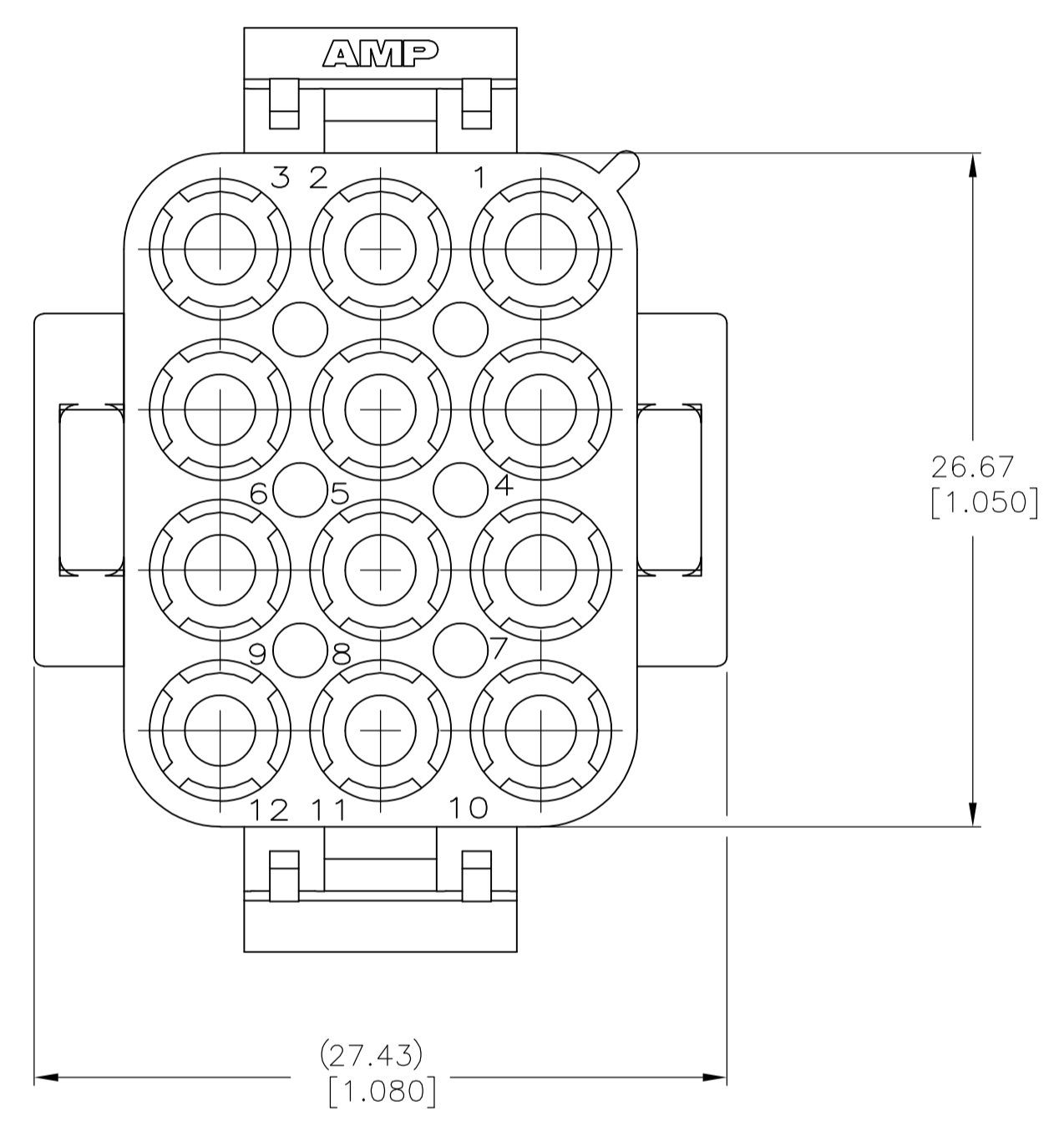
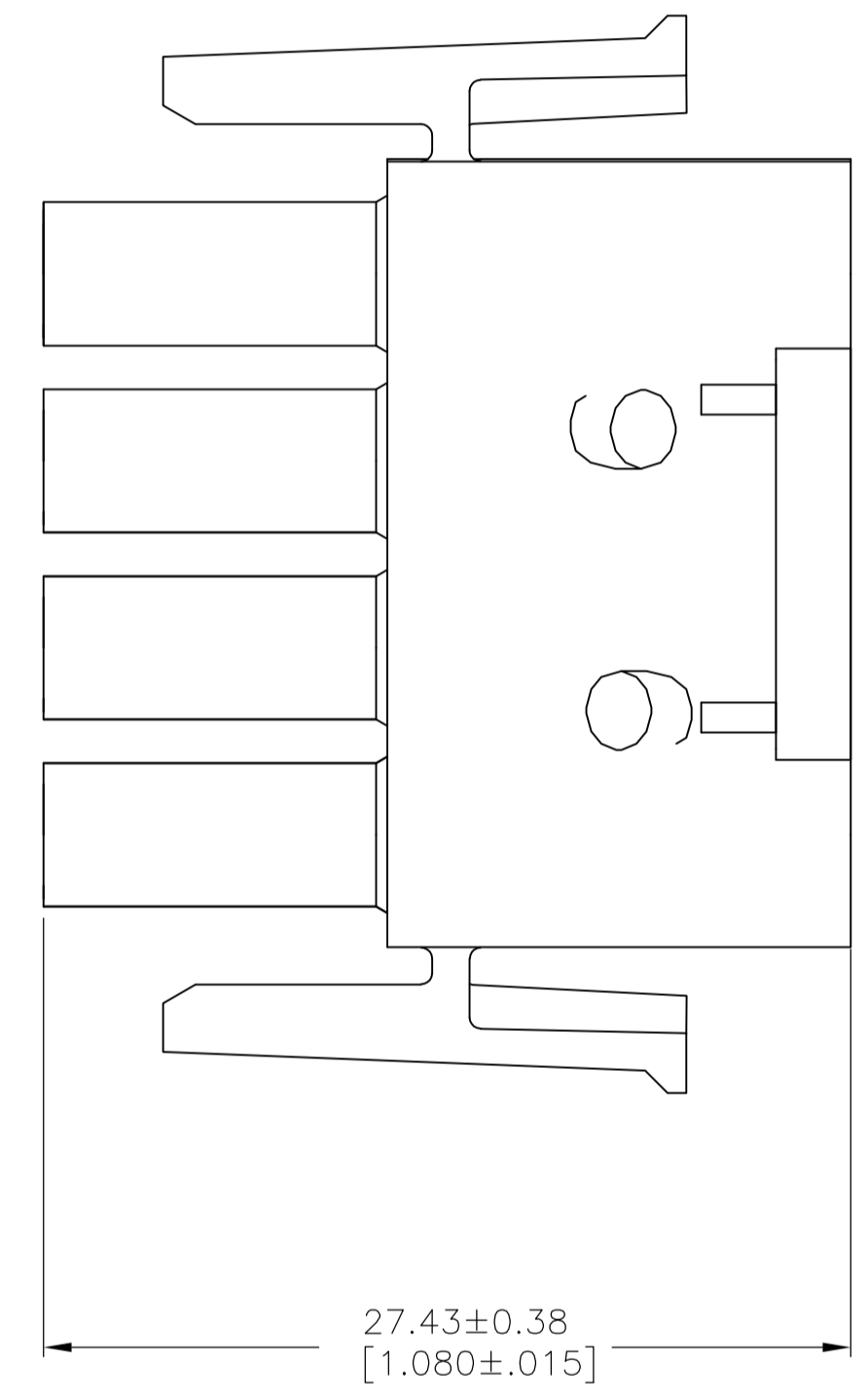
6 OBSOLETE	BLACK	1-480708-9
	GREY	1-480708-8
	BLUE	1-480708-6
	GREEN	1-480708-5
	YELLOW	1-480708-4
	ORANGE	1-480708-3
6 OBSOLETE	RED	1-480708-2
	BROWN	1-480708-1
	NATURAL	1-480708-0
6 SUPERSEDED BY 1-480708-0	COLOR	PART NO.

THIS DRAWING IS A CONTROLLED DOCUMENT.		DWG: K. WHITAKER 01SEP04	TE Connectivity	
DIMENSIONS: mm [INCHES]		CHK: S. RIDGILL 01SEP04	NAME: PLUG, 12 CIRCUIT, UNIVERSAL MATE-N-LOK™	
TOLERANCES UNLESS OTHERWISE SPECIFIED:		APPV: S. RIDGILL 01SEP04	PRODUCT SPEC	
0 PLG	± -	APPLICATION SPEC		
1 PLG	± -	SIZE: A1		
2 PLG	± 0.13 [.005]	CAGE CODE: 00779		
3 PLG	± -	DRAWING NO: 480708		
4 PLG	± -	RESTRICTED TO: -		
ANGLES	± 0.30°	WEIGHT: -		
MATERIAL: NYLON, UL 94V-2	FINISH: -	CUSTOMER DRAWING		
		SCALE: 4:1		SHEET 1 OF 2
				REV: AP3

LOC		DIST		REVISIONS				
CM	00	REV	DATE	DESCRIPTION	DATE	BY	APPV	
-	-	1	-	SEE SHEET 1	-	-	-	



- 1 STAMP NUMBERS 3.18 HIGH AT WIRE END OF HOUSING (12 POINT DAVID TYPE).
- 2 CHARACTERS TO BE POSITIONED ON HOUSING TO BE READ FROM WIRE END ONLY.
- 3 VIOLET, BLACK, BROWN, AND BLUE COLORED BLOCKS TO BE STAMPED WITH WHITE CHARACTERS. ALL OTHER COLORED BLOCKS TO BE STAMPED WITH BLACK CHARACTERS.



NATURAL	2-480708-0
COLOR	PART NUMBER

THIS DRAWING IS A CONTROLLED DOCUMENT.		DIN K. WHITAKER 01SEP04		TE Connectivity	
DIMENSIONS: mm [INCHES]		CHK S. RIDGILL 01SEP04		NAME PLUG, 12 CIRCUIT, UNIVERSAL MATE-N-LOK	
TOLERANCES UNLESS OTHERWISE SPECIFIED:		APPV S. RIDGILL 01SEP04		SIZE CAGE CODE DRAWING NO. RESTRICTED TO	
0. PLC ± -	1. PLC ± -	PRODUCT SPEC		A1 00779 C=480708	
2. PLC ± 0.13 [.005]	3. PLC ± -	APPLICATION SPEC		SCALE 4:1 SHEET 2 OF 2 REV AP3	
4. PLC ± -	ANGLES ± 0.30°	WEIGHT -		CUSTOMER DRAWING	
MATERIAL NYLON, UL 94V-2	FINISH -				