

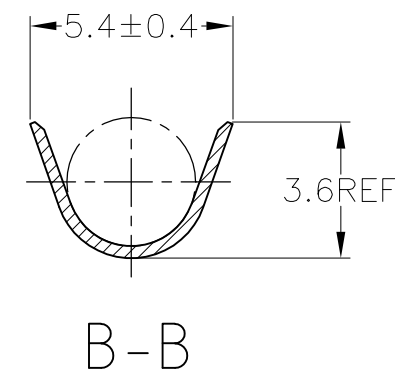
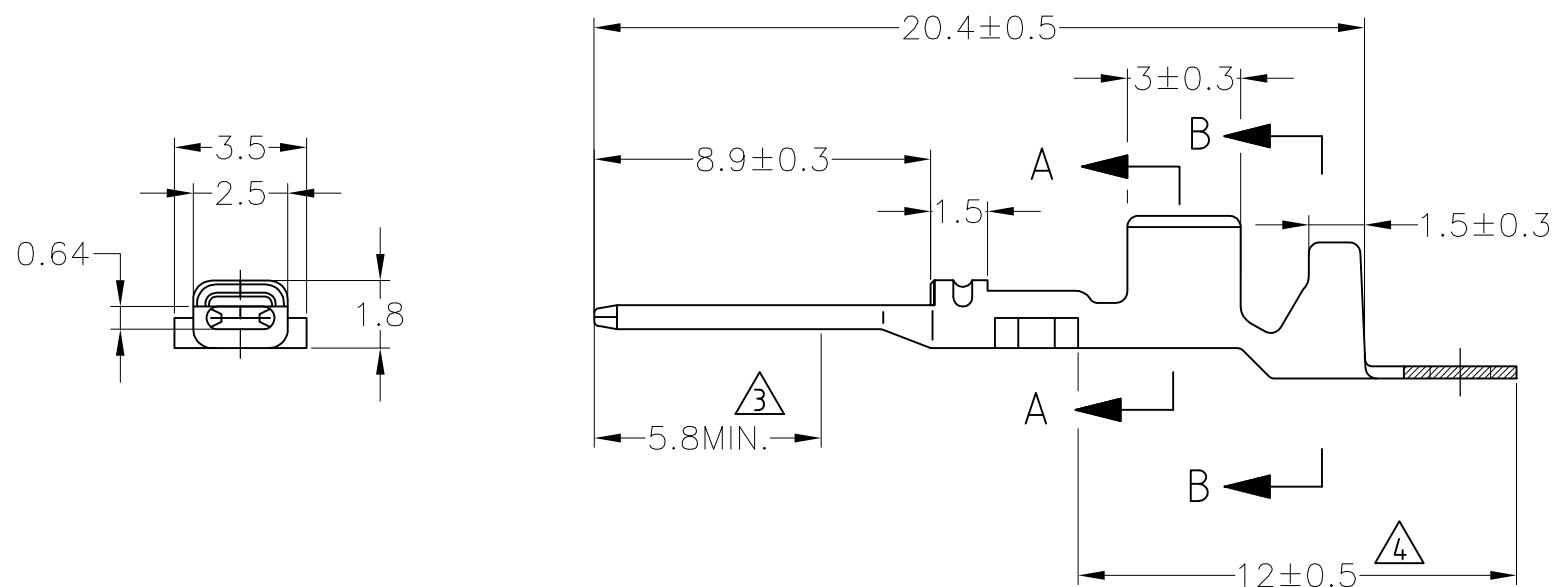
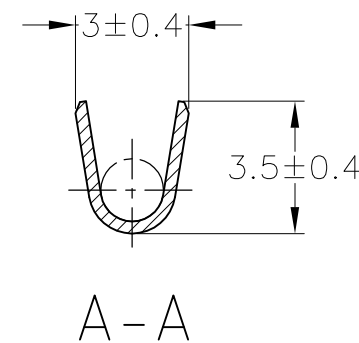
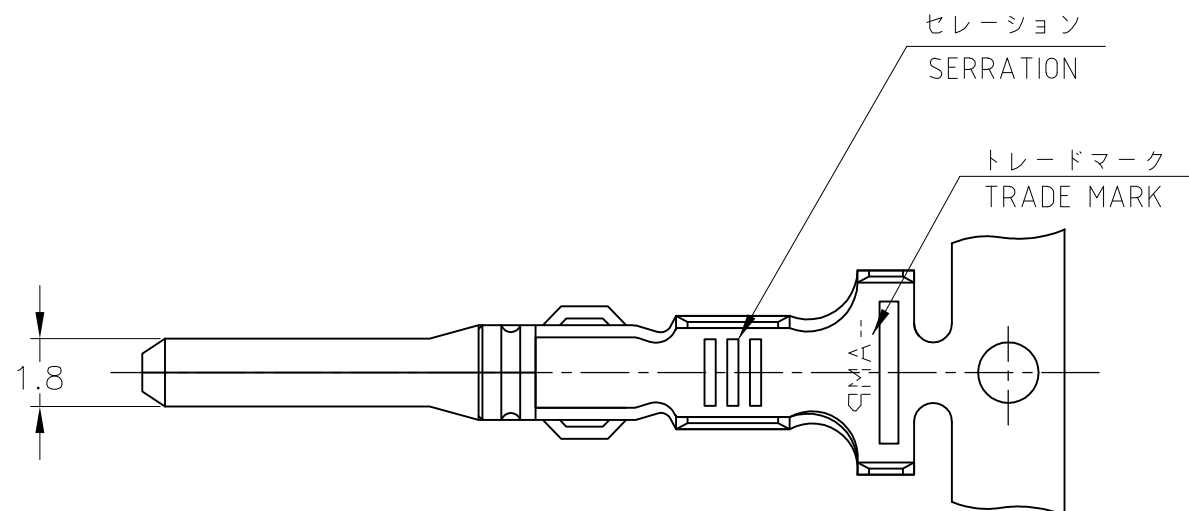
THIS DRAWING IS UNPUBLISHED.

RELEASED FOR PUBLICATION

ALL RIGHTS RESERVED.

© COPYRIGHT - By -

| LOC | DIST | REVISIONS | | | | | |
|-----|------|-----------|-----|---------------------------|---------|-----|------|
| J | - | P | LTR | DESCRIPTION | DATE | DWN | APVD |
| | | E2 | | REVISED PER ECO-11-005140 | 28MAR11 | RK | HMR |



- 1. 嵌合相手端子型番 : 171662
- 2. バラ状端子型番 : 173706

- 1. RECEPTACLE CONTACT PN: 171662
- 2. L/P CONTACT PN 173706

| | | | | |
|--------------------------------|----------------------------|---------------------|----------|----------------|
| △3 SELECTIVE GOLD 部分金めっき | △4 SELECTIVE TIN 部分錫めっき | BRASS 黄銅 板厚 0.32 | 171661-5 | 3 |
| △3 SELECTIVE GOLD 部分金めっき | | BRASS 黄銅 板厚 0.32 | 171661-2 | 2 |
| PRE-TIN (0.76μm MIN.) 錫めっき済 | | BRASS 黄銅 板厚 0.32 | 171661-1 | 1 |
| FINISH 仕上 | | MATERIAL 材料 | PN 型番 | ITEM No. 項番 |

WIRE RANGE 抱合電線断面積 0.5-1.25mm² (AWG #20-#16)
INSULATION DIA 被覆外径 2-2.6

THIS DRAWING IS A CONTROLLED DOCUMENT.

| | |
|----------------------------|---|
| DIMENSIONS: 単位: 耗 mm | TOLERANCES UNLESS OTHERWISE SPECIFIED: 一般公差 |
| | 0 PLC ± - 1 PLC ± - 2 PLC ± - 3 PLC ± - 4 PLC ± - ANGLES ± - |

| 一般公差 (GENERAL TOLERANCE) | |
|-----------------------------|--------|
| 10以下 | ± 0.2 |
| 10を越え 30以下 | ± 0.25 |
| 30を越え 100以下 | ± 0.3 |
| 角 度 | ± 3° |

MATERIAL 材料 SEE TABLE 表参照
FINISH 仕上 SEE TABLE 表参照

| | | | | |
|-------------------------|---|-----------------|------------------------|---------------|
| DWN T.SHINOHARA 27JUN01 | | | | RESTRICTED TO |
| CHK K.BETSUI 27JUN01 | | | | |
| APVD K.BETSUI 27JUN01 | | | | |
| PRODUCT SPEC 製品規格 | | | | |
| APPLICATION SPEC 取付適用規格 | NAME 名称 | | | |
| 114-5082 | ECONOSEAL J-MARKII CONNECTOR TAB CONTACT | | | |
| WEIGHT 0.35 g | SIZE A3 | CAGE CODE 00779 | DRAWING NO 番号 C-171661 | |
| CUSTOMER DRAWING | SCALE 尺度 5:1 | SHEET 1 OF 1 | REV E2 | |