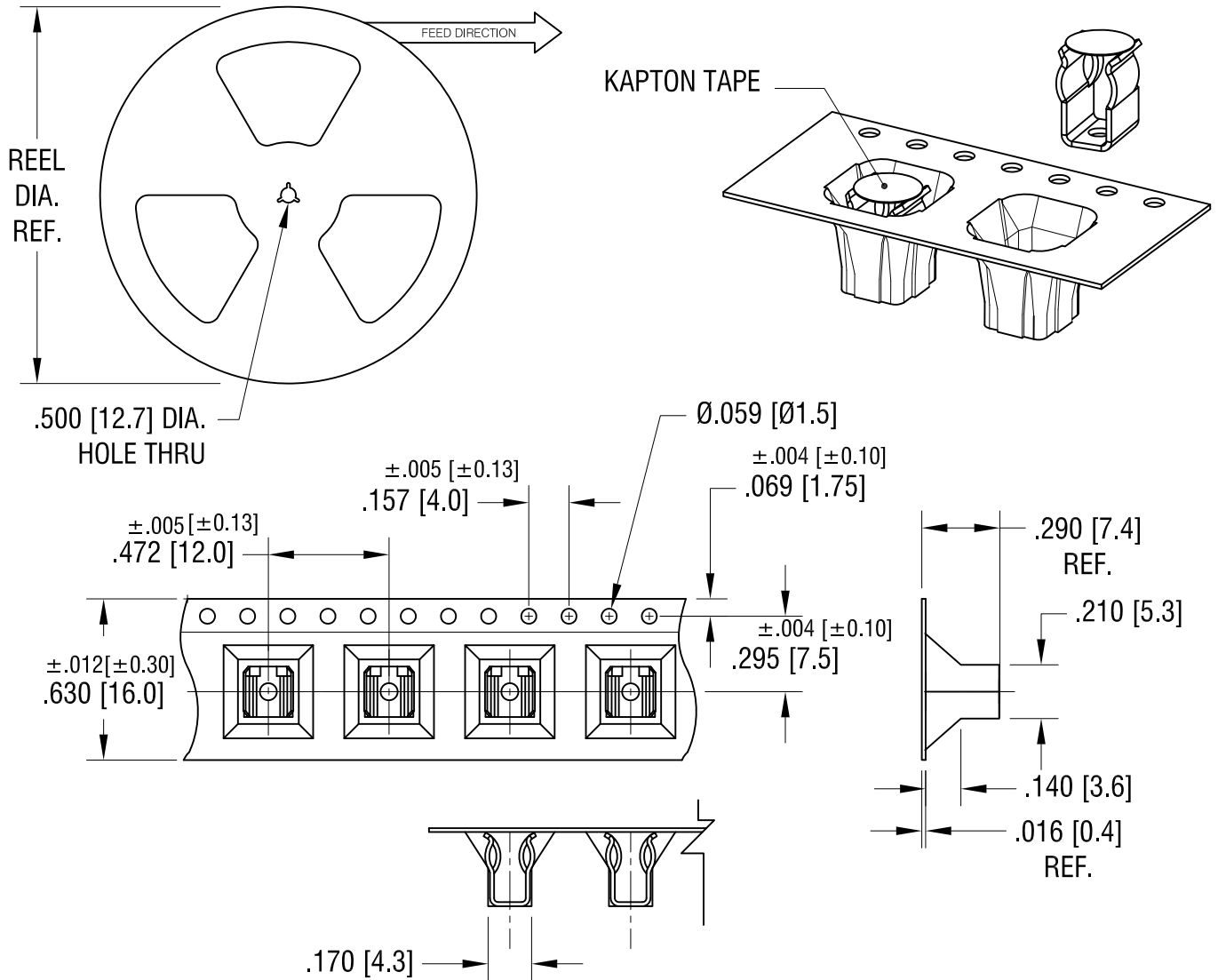


THIS DOCUMENT IS THE PROPERTY OF KEYSTONE ELECTRONICS CORP. AND SHALL NOT BE REPRODUCED, DISTRIBUTED OR USED AS A BASIS FOR MANUFACTURE WITHOUT PRIOR WRITTEN PERMISSION FROM KEYSTONE ELECTRONICS CORP.



NOTES:

TAPE AND REEL SPECIFICATIONS:

1. TAPE:

MAT'L - ALL CONDUCTIVE POLYSTYRENE CARRIER
ANSI/EIA-481 STANDARD
.630 [16.0] WIDE; .472 [12.0] PITCH

2. REEL:

13.0 [330.2] DIA. 600 PIECES OF
PART NO. 3561 PER REEL.

3. KAPTON TAPE TO BE APPLIED TO TOP

SURFACE OF EACH RETAINER FOR VACUUM PICK AND PLACE

8.27.18	ADD POCKET DETAILS CHANGE AS PER ECN 18-031	B
1.11.17	ECN17-006 WAS 700 PCS PER REEL	A
DATE	DESCRIPTION	REV.

KEYSTONE ELECTRONICS CORP.			
www.keyelco.com • NEW HYDE PARK, NY 11040 • Tel (516) 328-7500			
PART NAME 2AG/5mm SURFACE MOUNT FUSE, ON TAPE			
MATERIAL AS NOTED			
FINISH AS NOTED		DRN BY NT	DATE 11.30.16
		APP'D LN	SCALE X
TOLERANCES DECIMAL ANGULAR	INCH [MM] ± .015 [± 0.38] ± 1°	CODE C	DWG NO. 3561KTR
UNLESS OTHERWISE SPECIFIED			