

NOTES:

1. MATERIALS AND FINISHES:

BODY - BRASS, NICKEL PLATING
 CONTACT - BRASS, GOLD PLATING
 INSULATOR - PTFE

2. ELECTRICAL:

A. IMPEDANCE: 50 OHM
 B. FREQUENCY RANGE: DC - 6 GHz
 C. VSWR(RETURN LOSS): 1.20 (-20.82 dB), MAX.

3. MECHANICAL:

A. DURABILITY: 100 CYCLES MIN.
 B. TEMPERATURE RANGE: -65° C TO +165° C
 C. THIS CONNECTOR WILL WITHSTAND 40 LBS MIN. AXIAL (PULL AND PUSH) FORCE AND 30 LBS MIN. BENDING LOAD WHEN INSTALLED ON A 1.5 MM OR 2 MM AL 5052 PANEL. FACTOR OF SAFETY OF 3 ALREADY TAKEN INTO ACCOUNT. FOR FURTHER INFO PLEASE REFER TO DE2536
 D. TORQUE REQUIRED TO THREAD PART INTO PANEL: 20 IN-LB RECOMMENDED
 E. SHELF LIFE OF THREAD ADHESIVE IS 1 YEAR MINIMUM BEFORE INSTALLING, AND UP TO 4 YEARS DEPENDING ON STORAGE CONDITIONS. FOR BEST RESULTS, STORE BETWEEN 4 AND 38°C.
 F. THREAD ADHESIVE FOR THREAD LOCKING SHOULD BE CURED FOR 24 HOURS AFTER INSTALLING, AND MAY NOT WORK FOR REPEATED DISASSEMBLY.

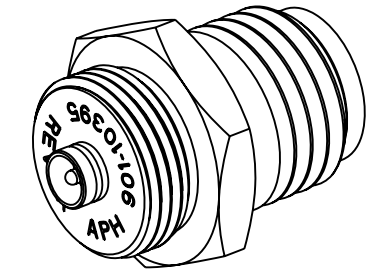
4. PACKAGING:

A. PACKAGE IN TRAY, 100 PCS PER TRAY.
 B. MARKING: TRAY TO BE MARKED
 "AMPHENOL RF, 901-10395, AND DATE CODE"

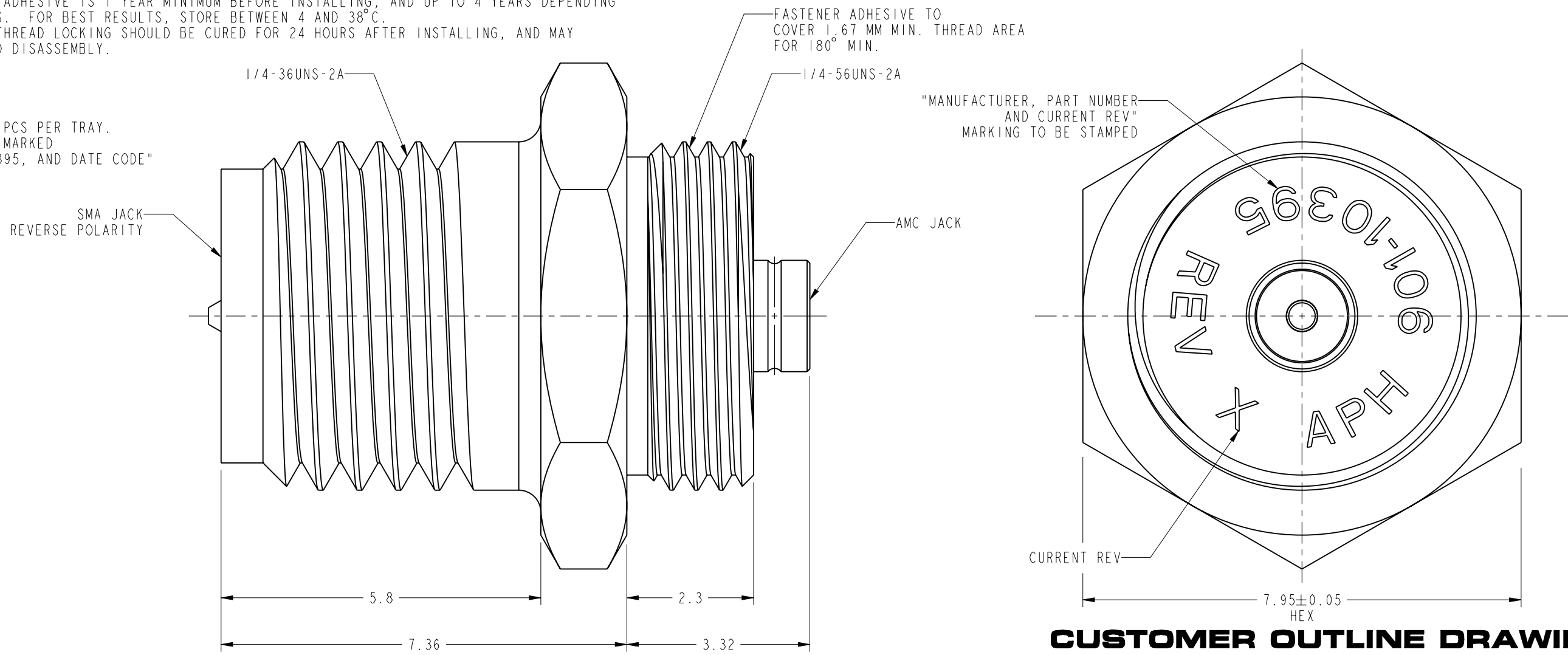
THIRD ANGLE PROJ.

REVISIONS

REV	DESCRIPTION	DATE	ECO	APPR
A	RELEASE TO MFG.	14-Aug-13	49644	JTS



SCALE 4.000



CUSTOMER OUTLINE DRAWING
 ALL OTHER SHEETS ARE FOR INTERNAL USE ONLY

UNLESS OTHERWISE SPECIFIED, DIMENSIONS ARE IN METRIC AND TOLERANCES ARE: <0.5mm ±0.05mm 0.5 - 6mm ±0.1mm 6 - 30mm ±0.2mm 30 - 120mm ±0.3mm ANGLES ±1°	MATERIAL	DRAWN	DATE	TITLE SMA REVERSE POLARITY BULKHEAD JACK TO AMC JACK ADAPTER	Amphenol RF www.amphenolrf.com
	SEE NOTES	R. RAJAN	28-Jun-12		
NOTICE - These drawings, specifications, or other data (1) are, and remain the property of Amphenol corp. (2) must be returned upon request; and (3) are confidential and not to be disclosed to any person other than those to whom they are given by Amphenol Corp. the finishing of these drawings, specifications, or other data by Amphenol Corp., or to any other person to anyone for any purpose is not to be regarded by implication or otherwise in any manner licensing, granting rights to permitting such holder or any other person to manufacture, use or sell any product, process or design, patented or otherwise, that may in any way be related to or disclosed by said drawings, specifications, or other data.	REFERENCE	ENGINEER	DATE	SCALE: 12.0:1.0 SHEET 2 OF 2	DRAWING NO. 901-10395
	EAR # 5211	R. RAJAN	28-Jun-12		DWG SIZE B REV A
	CONFIGURATION LEVEL:	APPROVED	DATE		
FINISH	K. CAPOZZI	14-Aug-13			