

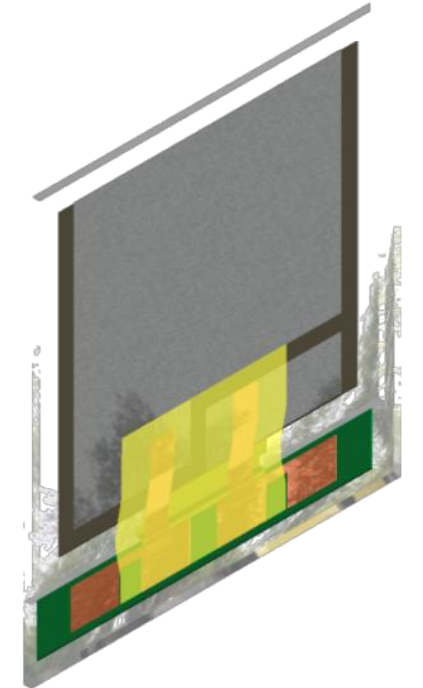
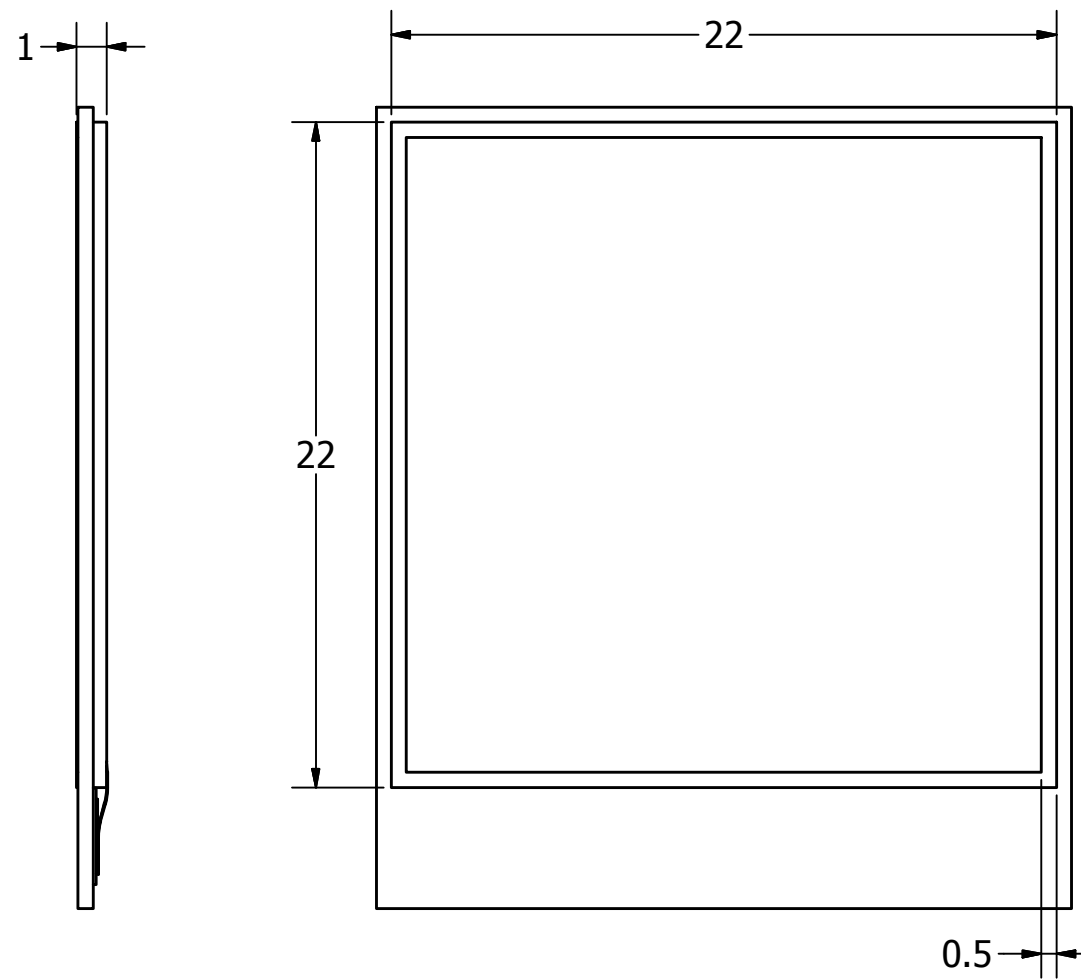
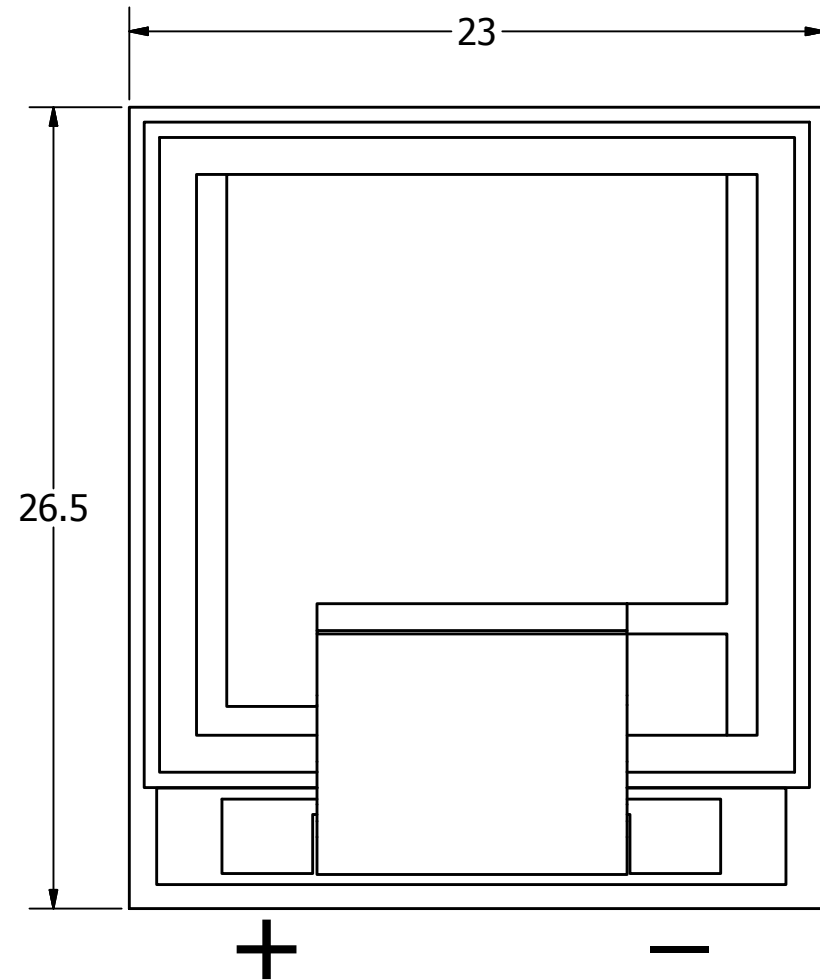
# SPECIFICATIONS

PARAMETERS	VALUES	UNIT
RATED INPUT VOLTAGE	3	Vrms
MAX INPUT VOLTAGE	20	Vp-p
MINIMUM OUTPUT SPL @ 3Vrms/10CM (AT 1.0, 1.2, 1.5, 2.0 kHz)	75	dB
RESONANT FREQUENCY	1,400 ± 20%	Hz
FREQUENCY RANGE	300 ~ 20,000	Hz
HOUSING MATERIAL	STAINLESS STEEL	-
OPERATING TEMPERATURE	-20 ~ +60	°C
WEIGHT	1.3	grams

THIS DOCUMENT CONTAINS DATA PROPRIETARY TO PROJECTS UNLIMITED, INC. ANY USE OR REPRODUCTION, IN ANY FORM, WITHOUT PRIOR WRITTEN PERMISSION OF PROJECTS UNLIMITED, INC. IS PROHIBITED.  
©2003, Projects Unlimited Inc.

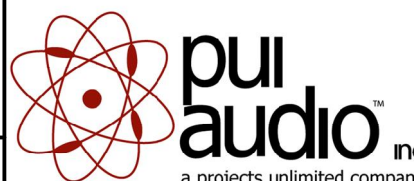
# REVISION HISTORY

LTR	DESCRIPTION	DATE	APPROVED
-	RELEASED FROM ENGINEERING	2/9/2010	
A	REVISED TO INVENTOR 3-D DRAWING TEMPLATE	5/25/2010	B.R.
B	REVISED MAX INPUT VOLTAGE	6/1/2011	B.R.



## NOTES:

1. ALL DIMENSIONS ARE IN MILLIMETERS.
2. SPECIFICATIONS SUBJECT TO CHANGE OR WITHDRAWL WITHOUT NOTICE.
3. THIS PART IS RoHS 2002/95/EC COMPLIANT.

UNLESS OTHERWISE SPECIFIED: DIMENSIONS ARE IN MILLIMETERS, TOLERANCES ARE ±0.5 AND ANGLES ARE ±3°.	SIZE <b>A3</b>	Designed by	Date	Checked by	Date	Approved by	Date	Drawn Date	
		B.R.	2/9/2010	C.W.	2/9/2010	B.R.	2/9/2010	5/25/2010	
APS2714S-R.idw				<b>APS2714S-R</b>					
				<b>Speaker</b>				Edition	Sheet
								-	1 / 1