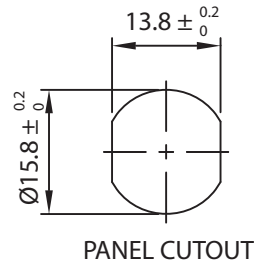
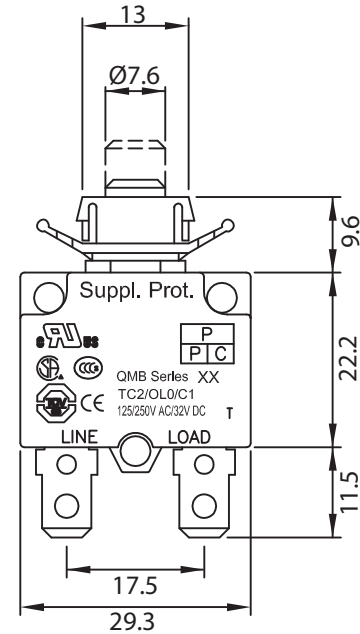
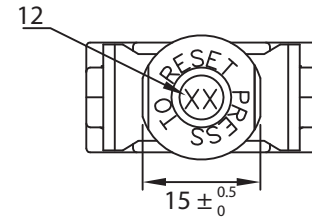
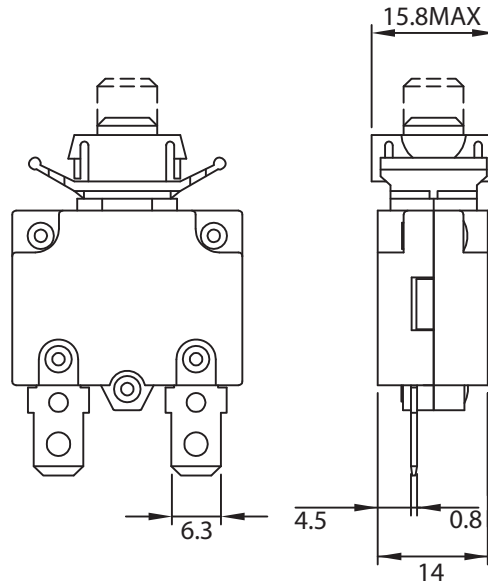


THESE DRAWINGS ARE THE PROPERTY OF QUALTEK ELECTRONICS AND NOT TO BE REPRODUCED FOR OR COMMUNICATED TO A THIRD PARTY WITHOUT THE EXPRESS WRITTEN PERMISSION OF AN OFFICER OF QUALTEK ELECTRONICS.

| REVISION | | | |
|----------|-------------|------|----------|
| REV. | DESCRIPTION | DATE | APPROVED |
| | | | |
| | | | |
| | | | |



PANEL CUTOUT



CONTROLLED

NOTES:

RATING: 12A 125/250V AC/32V DC
 PANEL THICKNESS: 0.8mm~2.5mm
 PRINT COLOR: WHITE
 BUTTON COLOR: BLACK
 APPROVALS: UL, cUL, TUV, CCC, CE, CSA
 RoHS COMPLIANT

| Dim range (mm) | Tolerance +/- (mm) | Qualtek Electronics Corp. PPC DIVISION | | |
|----------------|--------------------|---|----------------|-----------------|
| | | Part Number: QMB-123-00ENN-3BA | | RoHS Compliant |
| 0-1 | 0.15 | Description: CIRCUIT BREAKER | | |
| 1-6 | 0.20 | UNIT: mm | | |
| 6-18 | 0.30 | Drawn / Date | Checked / Date | Approved / Date |
| 18-50 | 0.50 | | | |
| 50-120 | 0.70 | R.Nuti 08-15-14 | 08-15-14 | LY / 08-15-14 |
| 120-250 | 0.90 | | | |
| 250-500 | 1.20 | | | |