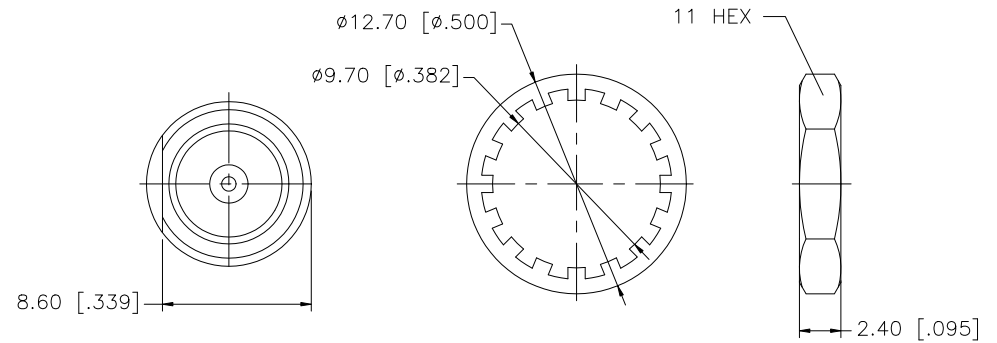
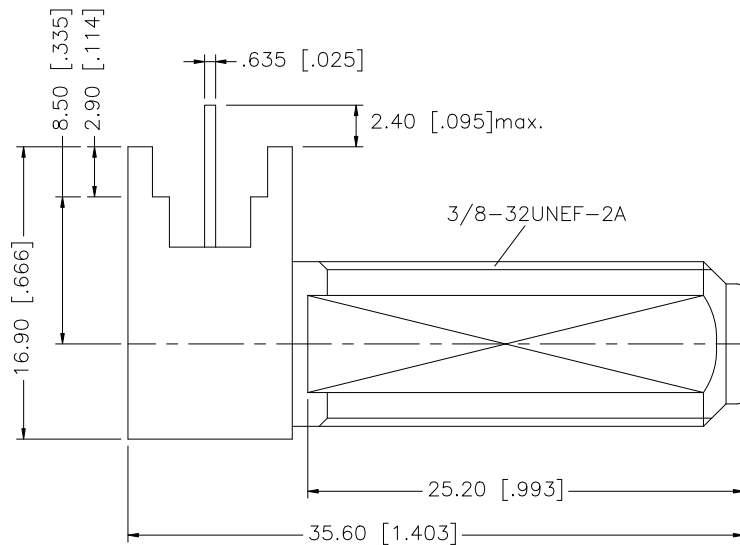
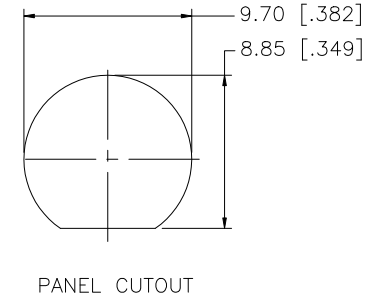
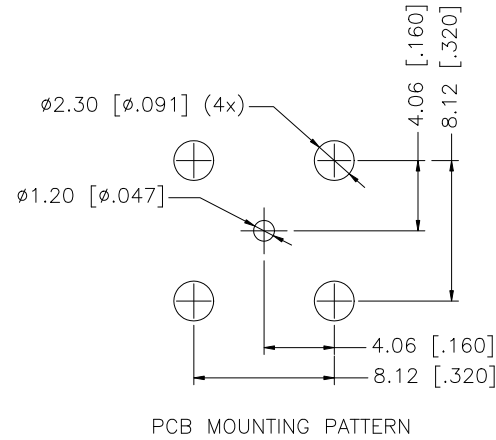
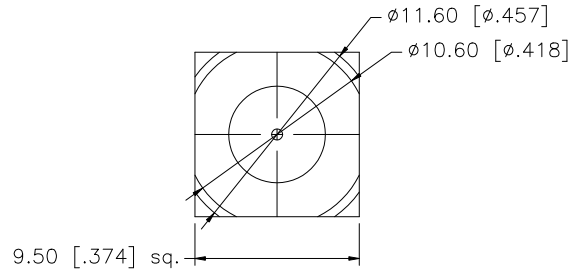


REV.	DATE	DESCRIPTION
NC	08/22/07	INITIAL RELEASE



QTY	DESCRIPTION	MATERIAL	FINISH	QTY
1	HEX NUT	BRASS	NICKEL	1
1	LOCK WASHER	SS41	NICKEL	1
2	INSULATOR	DELRIN	NATURAL	2
2	INSULATOR	POLY PRO	NATURAL	2
1	CONTACT PIN	BRASS	BRT. TIN	1
1	CONTACT PIN	BRASS	BRT. TIN	1
1	BODY	BRASS	NICKEL	1

UNLESS OTHERWISE SPECIFIED DIMENSIONS ARE IN MILLIMETERS. DIMENSIONS IN [ ] ARE IN INCHES AND FOR CUSTOMER REFERENCE ONLY.

UNLESS OTHERWISE SPECIFIED TOLERANCES FOR MILLIMETERS ARE:  
0.5 - 8mm ± 0.20mm  
8 - 30mm ± 0.40mm  
30 - 120mm ± 0.50mm

UNLESS OTHERWISE SPECIFIED TOLERANCES FOR INCHES ARE:  
.020 - .315 = ± 0.007"  
.315 - 1.180 = ± 0.015"  
1.180 - 4.724 = ± 0.020"

DO NOT SCALE DRAWING

APPROVALS	DATE
DRAWN G.R.S.	08/22/07
CHECKED	
ISSUED	
SHEET 1 OF 1	
CAD FILE C:/222/222128-11.DWG	

**Amphenol Connex**

PART DESCRIPTION  
**F SERIES R/A PCB RECEPTACLE WITH NUT AND WASHER**

PART NO.  
**222128-11**

DWG. NO.	222128-11.DWG	REV.	NC	SIZE	A	SCALE	NA
----------	---------------	------	----	------	---	-------	----