

THIS DRAWING IS UNPUBLISHED.

RELEASED FOR PUBLICATION

20

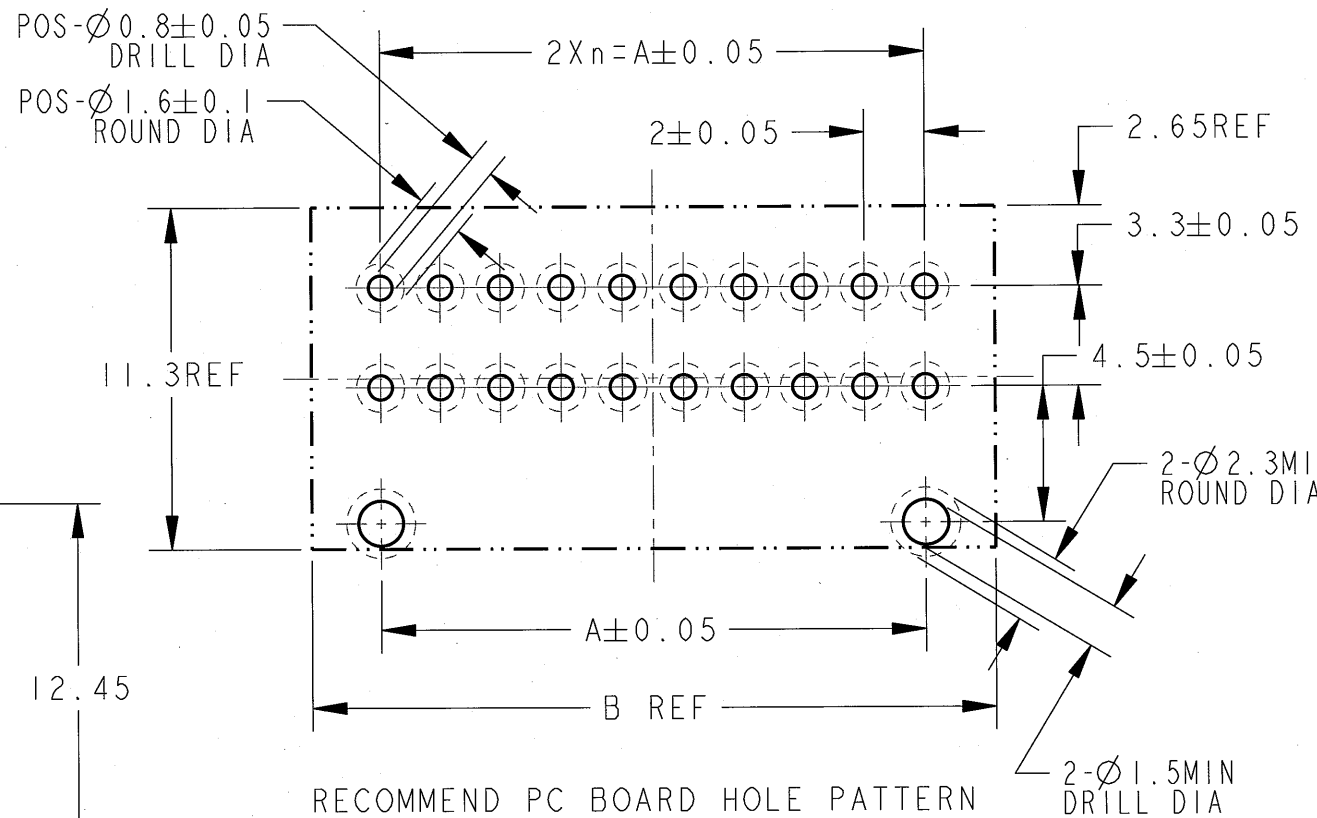
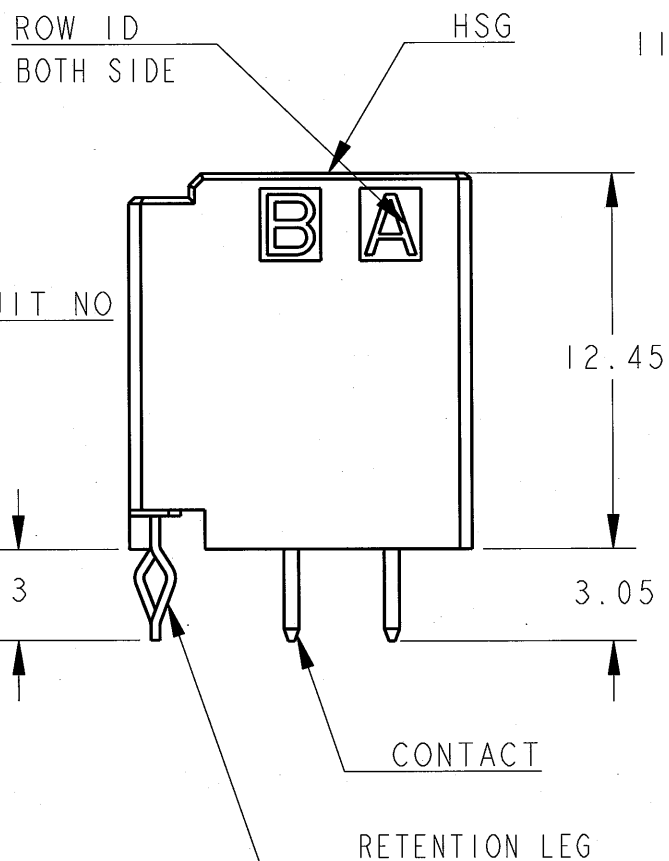
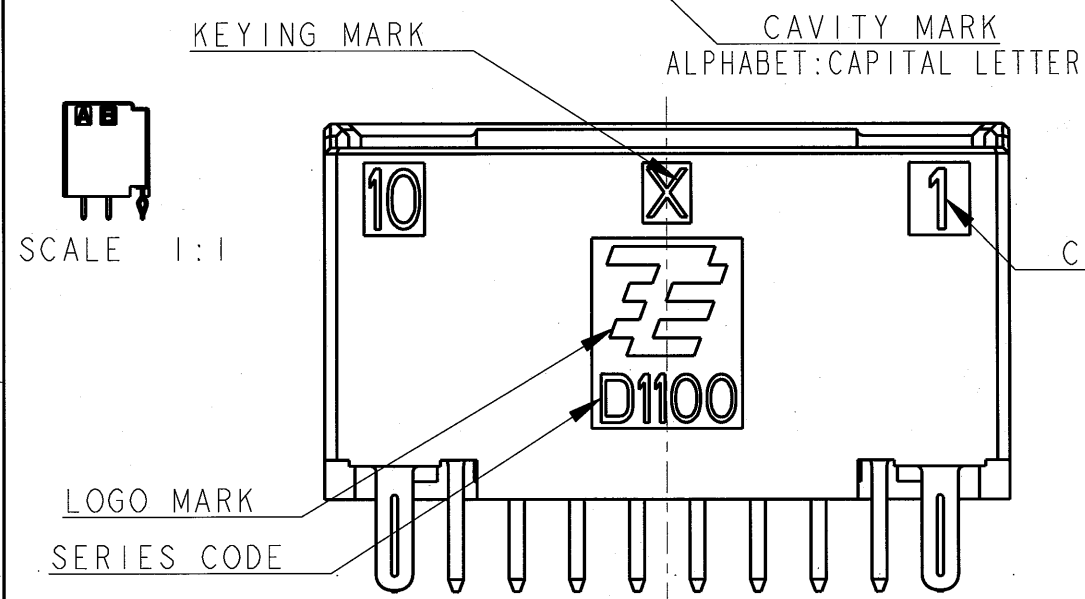
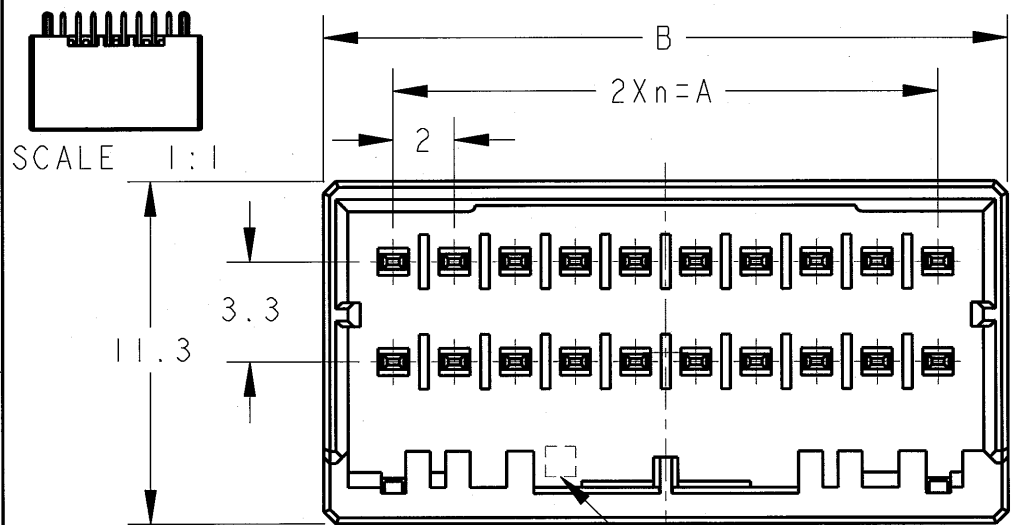
© COPYRIGHT 20

BY TYCO ELECTRONICS CORPORATION. ALL RIGHTS RESERVED.

LOC J DIST -

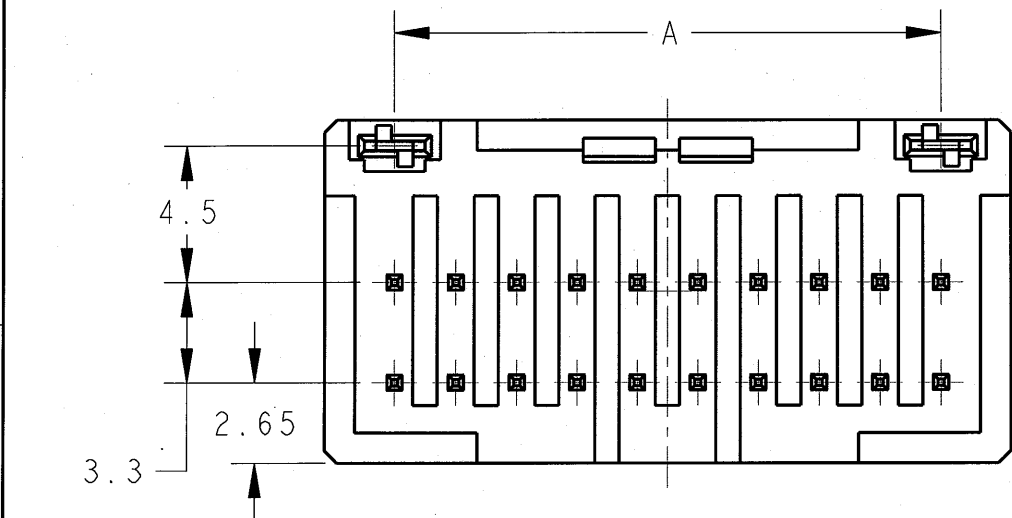
REVISIONS  
変更

P	LTR	DESCRIPTION	DATE	DWN	APVD
B		REVISED	18JUN2009	R.K	N.Y
C		REVISED	06JAN2010	R.K	N.Y



RECOMMEND PC BOARD HOLE PATTERN  
: CONNECTOR MOUNT SIDE  
(NOT ACCUMULATE TOLERANCE)  
PC BOARD THICKNESS : 1.0~1.6±0.1

推奨基板取付穴寸法 : コネクタ搭載面(非累積公差)  
PC基板厚 : 1.0~1.6±0.1



20POS(X-KEY): \*-2040557-0

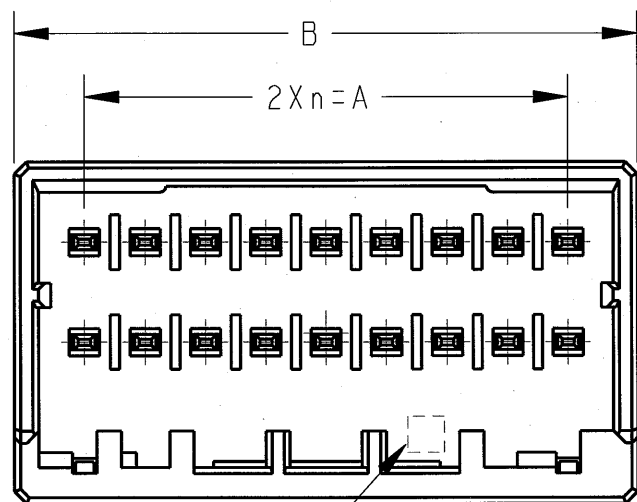
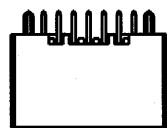
18	X	8	16.0	20.6	YELLOW	3-2040557-9
18	X	8	16.0	20.6	NATURAL	1-2040557-9
20	X	9	18.0	22.6	RED	5-2040557-0
20	X	9	18.0	22.6	YELLOW	3-2040557-0
20	X	9	18.0	22.6	NATURAL	1-2040557-0
POS	KEY	n	A	B	COLOR	PART NO

THIS DRAWING IS A CONTROLLED DOCUMENT FOR TYCO ELECTRONICS CORPORATION  
IT IS SUBJECT TO CHANGE AND THE CONTROLLING ENGINEERING ORGANIZATION  
SHOULD BE CONTACTED FOR THE LATEST REVISION.

DIMENSIONS: 単位: 耗 mm	TOLERANCES UNLESS OTHERWISE SPECIFIED: 一般公差 ±0.3, ±5° 0-PLC ± 1-PLC ±0.5 2-PLC ±0.13 3-PLC ±0.013 4-PLC ±0.001 ANGLES ±	DWN M. MAEBASHI 15JUL2008 CHK T. KUDO 15JUL2008 APVD S. MANABE 15JUL2008	Tyco Electronics Corporation Kawasaki, Japan
MATERIAL 材料	FINISH 仕上	PRODUCT SPEC 製品規格 108-78298 APPLICATION SPEC 取付適用規格 114-5377	NAME 名称 DYNAMIC D1100D 2.0mmPITCH HDR ASSY (V-TYPE) COLOR PRE-TIN PLATE 4-20POS
CUSTOMER DRAWING		WEIGHT	SIZE A3 CAGE CODE 00779 DRAWING NO. 2040557 RESTRICTED TO
		SCALE 4:1	SHEET 1 OF 2 REV C

LOC	DIST
J	-

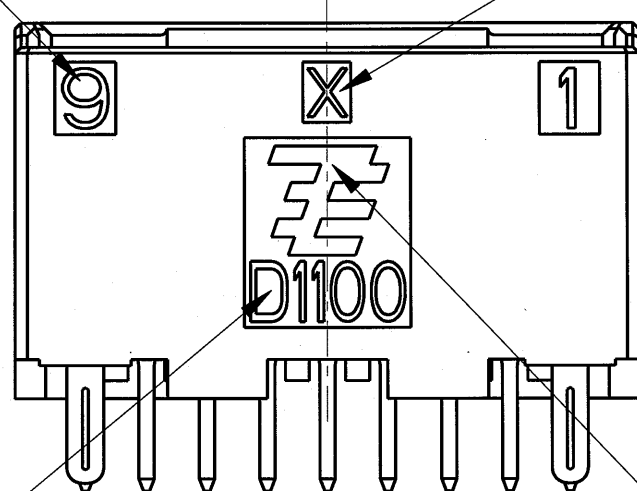
REVISIONS			
P	LTR	DESCRIPTION	DATE
		SEE SHEET 1 OF 2	



CIRCUIT NO

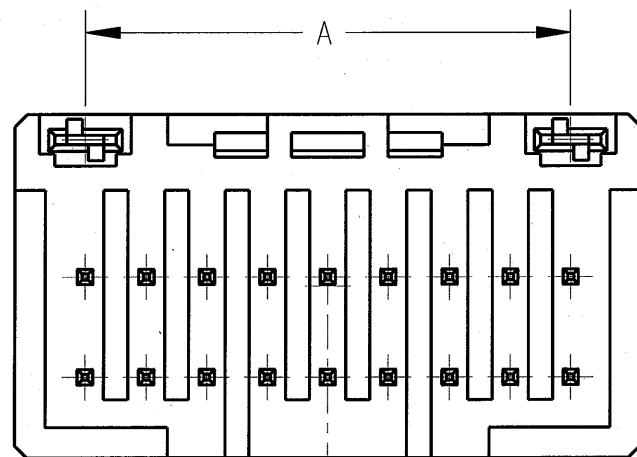
CAVITY MARK  
ALPHABET: CAPITAL LETTER

KEYING MARK



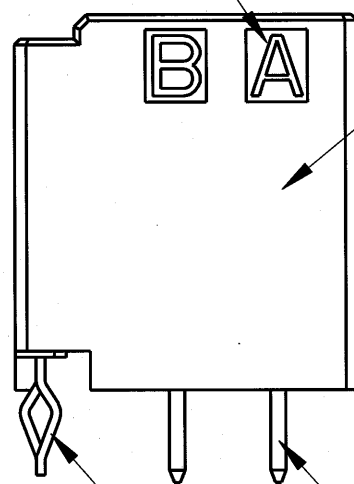
SERIES CODE

LOGO MARK



18POS(X-KEY) : \*-2040557-9

ROW ID  
BOTH SIDE



1. 材料：ハウジング：ガラス入り熱可塑性ポリエステル樹脂（94V-0）  
 色：黒以外  
 コンタクト：錫めっき済銅合金  
 リテンションレグ：錫めっき済銅合金

2. 文字の形状、大きさ、および位置については、大略を示すものであり、  
 詳細を示すものではありません。

1. MATERIAL: HOUSING: GLASS FILED THERMO PLASTIC  
 POLYESTER(94V-0)  
 COLOR: EXCLUDING BLACK  
 CONTACT: PRE-TIN COPPER ALLOY  
 RETENTION LEG: PRE-TIN COPPER ALLOY

2. THE SHAPE, SIZE AND POSITION OF THE CHARACTER  
 SHOW THE OUTLINE. THEY DON'T SHOW DETAILS.

THIS DRAWING IS A CONTROLLED DOCUMENT FOR TYCO ELECTRONICS CORPORATION  
 IT IS SUBJECT TO CHANGE AND THE CONTROLLING ENGINEERING ORGANIZATION  
 SHOULD BE CONTACTED FOR THE LATEST REVISION.

DIMENSIONS: mm	TOLERANCES UNLESS OTHERWISE SPECIFIED:
	0 PLC ±
	1 PLC ±
	2 PLC ±
	3 PLC ±
	4 PLC ±
	ANGLES ±
MATERIAL	FINISH

DWN SEE SHEET 1	Tyco Electronics Corporation Kawasaki, Japan		
CHK SEE SHEET 1	NAME DYNAMIC D1100D 2.0mm PITCH HDR ASSY (V-TYPE) COLOR PRE-TIN PLATE 4-20POS		
APVD SEE SHEET 1	SIZE A3	CAGE CODE 00779	DRAWING NO C-2040557
PRODUCT SPEC -	RESTRICTED TO -		REVISION C
APPLICATION SPEC -	SCALE 3:1		SHEET 2 OF 2
WEIGHT -	CUSTOMER DRAWING		