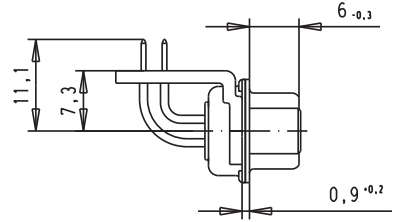
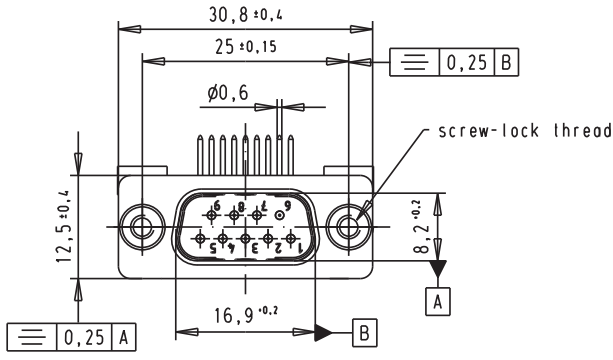


5 4 3 2 1

D



PCB Layout, Component side

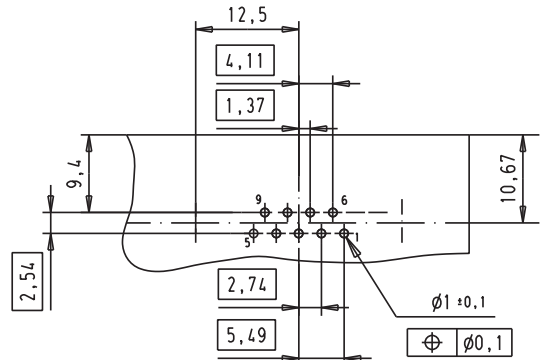
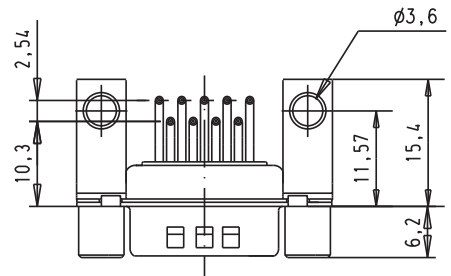
C

**SPECIFICATION**

Mating Cycles	500
Filter type	C
Capacitance	47pf±20%
Working Voltage	100v
Current Rating	7,5A
Insulation Resistance	>1GΩ

FREQUENCY (MHz)	ATTENUATION dB
5	-
10	-
50	-
100	-
500	30dB
1000	35dB

B



A

				<table border="1"> <tr> <td>Dat.</td> <td>None</td> </tr> <tr> <td>Detail.</td> <td>8-JUL-02 CV</td> </tr> <tr> <td>Insp.</td> <td></td> </tr> <tr> <td>Stand.</td> <td></td> </tr> </table>		Dat.	None	Detail.	8-JUL-02 CV	Insp.		Stand.		<p>All Dim. in mm Orig. Size DIN A 4</p>	<p>D-Sub, male, angled, 9 Poles, solder pins, tin plated shell with dimples, brackets, holes and screw-locks</p>	<p>Mo?Nslob/Scale 1.5:1</p>
Dat.	None															
Detail.	8-JUL-02 CV															
Insp.																
Stand.																
09641247219	M3	33241	14/10/05	JMDR		<p>TB 0964124721x</p>	<p>Blatt/ Page 4 / 4</p>									
09641247218	UNC 4-40	31058	8-JUL-02	CV				<p>HARTING EURL F-95972 Paris</p>		Sub.						
Part number	Screw lock thread	Mod.	Dat.	None												