

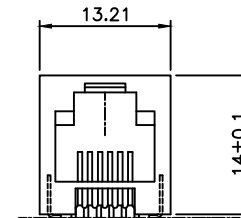
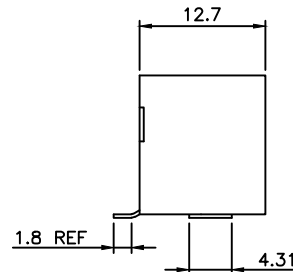
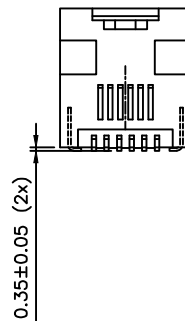
PRODUCT NUMBER
73326-XXXLF

PLATING OPTION
1= GXT 0.76 μm
3= GOLD 0.76 μm
5= GOLD 1.27 μm

PACKAGE OPTION
1= TAPE ON REEL
2= TUBE
3= TAPE ON REEL
IN PLASTIC BAG

TERMINAL LOADING
1= FULLY LOADED
2= POS 2,3,4,5
3= POS 1,2,5,6

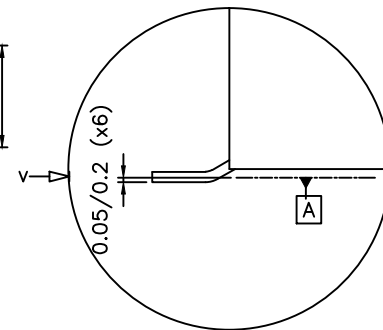
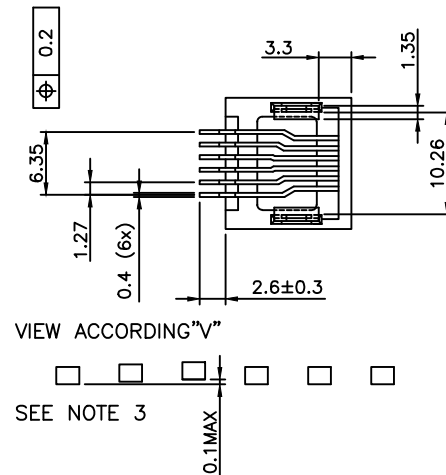
WHEN NEEDED, SUFFIX LETTER "LF"
INDICATES THE PRODUCT IS RoHS
COMPATIBLE, SEE NOTE 4.



REFERENCE PLAN
DEFINED BY THE
2 HOLD DOWN
BEARING SURFACE

NOTES:

- 1 - MATERIAL: HOUSING: HIGH TEMP. PCT, COLOUR BLACK.
TERMINAL: PHOSPHOR BRONZE.
- 2 - PLATING: CONTACT AREA: SEE TABLE.
SOLDER TAIL : 90/10 SnPb 2μm MIN.
WHEN SUFFIX "LF" IS REQUIRED, 2μm MIN MATTE
TIN OVER 1.27 MIN Ni IS SUPPLIED INSTEAD OF SnPb.
NO RAW EDGES EXEPT SOLDER TAIL TIPS
- 3 - SOLDER TAILS COPLANARITY : 0.1 mm
- 4 - RoHS COMPATIBLE PRODUCT SPECIFICATIONS
 - a - PLATING:
 - "LF" MEANS THE PRODUCT IS LEAD-FREE,
2μm MINIMUM MATTE TIN OVER 1.27μm
MINIMUM NICKEL UNDERPLATE.
 - b - MANUFACTURING PROCESS COMPATIBILITY
 - THE HOUSING WILL WITHSTAND EXPOSURE TO
245°C PEAK TEMPERATURE FOR 30 SECONDS
MAX IN A CONVECTION, INFRA-RED OR VAPOR
PHASE OR REFLOW OVEN.
 - c - LABELING:
 - MEETS PACKAGING SPECS AS PER GS-14-920
 - d - LEGAL STATEMENT: SEE GS-47-0004
- 5 - PACKAGING FOR OPTION 3 : EACH REEL IS WRAPPED INTO A PLASTIC BAG
TO PROTECT FROM MOISTURE DURING STACKING TIME.



CUSTOMER COPY FOR REFERENCE ONLY

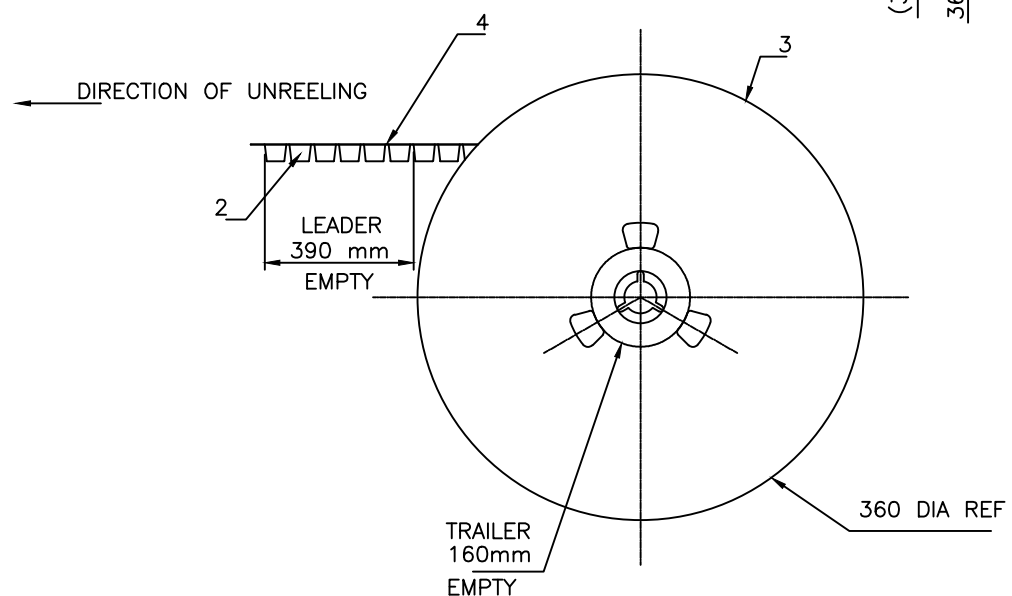
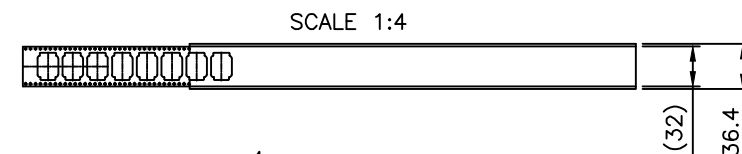
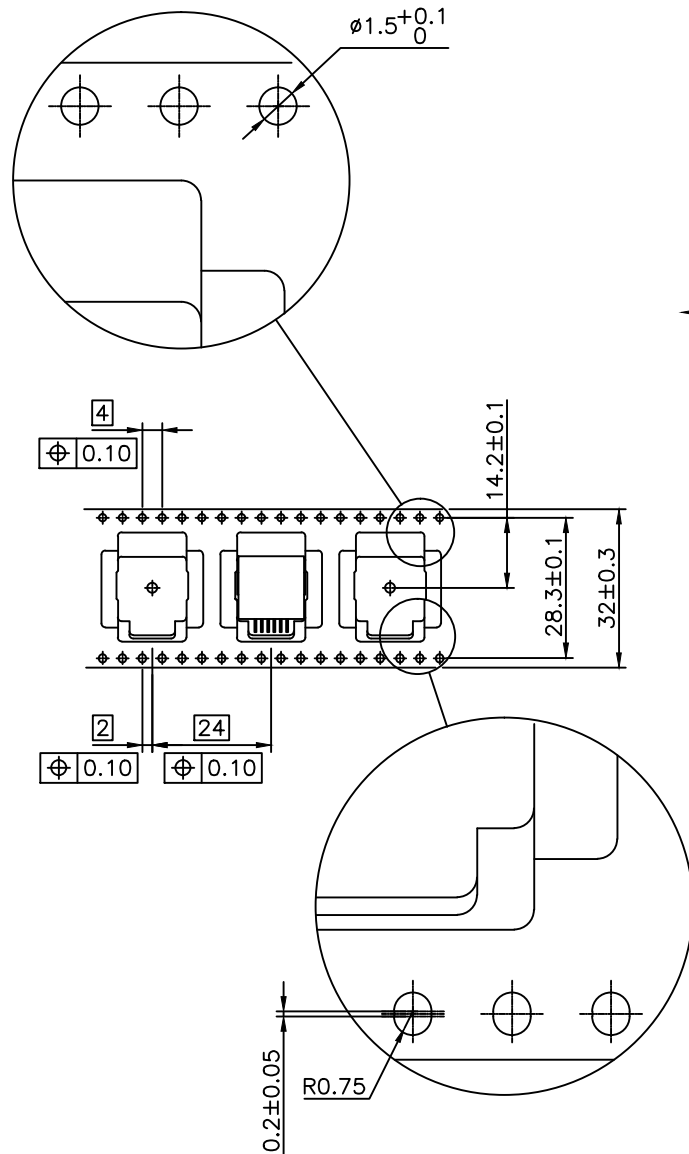
mat'l. code		surface		tolerance		projection		product family	
		ISO 1302		ISO 406 ISO 1101		mm		MOD JACK	
ltr		ecn no		date		tolerances unless otherwise specified		title	
H		F06-0240		DLE 06.07.18		angles linear ±0.13		SMT RA JACK	
J		F09-0070		LSA 09.07.23				6 POS INSIDE	
K		B-15798		JFA 13.09.09		±2'		scale 2:1	
L		F-21888		AMA 15.09.09		dr		dwg no	
						D LEGRAND		sheet 1 of 3	
						enr		size	
						P NIZZI		73326	
F		F04-0363		DLE 04.10.18		chr		A3	
						D LEGRAND			
G		F05-0247		DLE 05.09.12		appd		type	
						P NZ		CUSTOMER Drawing	
sheet		revision		L		E		B	
index		sheet		1		2		3	



Copyright FCI

PRODUCT NUMBER
SEE SHEET 1

LTR	PART NAME	QTY
1	PRODUCT	230
2	TAPE	1
3	REEL	1
4	COVER TAPE	1



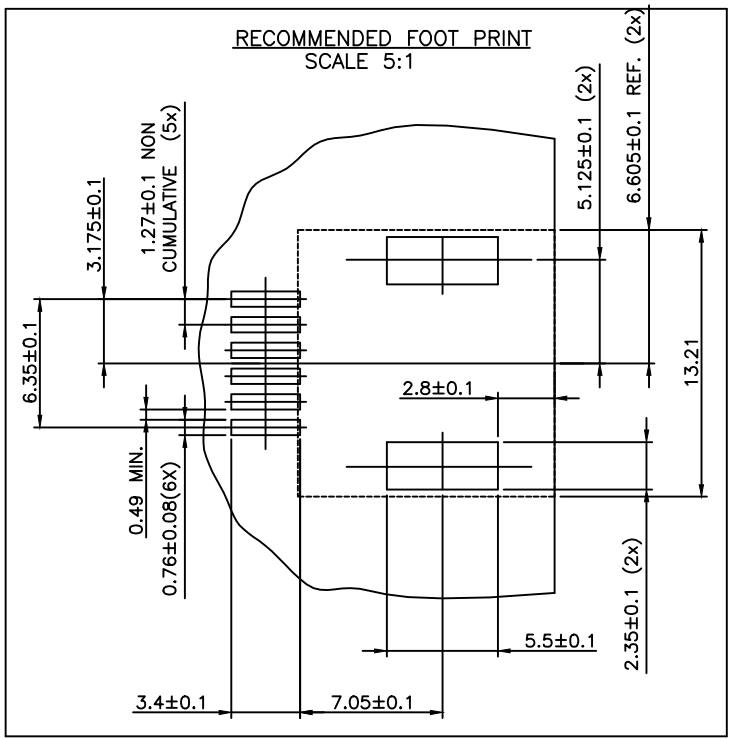
1- IN ACCORDANCE WITH EIA-481 AND IEC 296-3

CUSTOMER COPY FOR REFERENCE ONLY

mat'l. code		surface ISO 1302 <input checked="" type="checkbox"/> ISO 406 ISO 1101		tolerance tolerances unless otherwise specified		projection mm		product family MOD-JACK	
ltr	ecn no	dr	date	angles		linear		title SMT RA JACK 6 POS. INSIDE	
D	F80620	DLE	98.11.26					scale 1:1	
E	F06-0240	DLE	06.07.18					dwg no 73326	
		dr	D LEGRAND	06.07.18				sheet 2 of 3 size A3	
		enr	P NIZZI	06.07.18				type CUSTOMER Drawing	
		chr	D LE	06.07.18					
		app	P NZ	06.07.18					
sheet index	revision sheet								



Copyright FCJ



FCconnect.com

CUSTOMER COPY FOR REFERENCE ONLY

mat'l. code		surface ISO 1302 <input checked="" type="checkbox"/>		tolerance ISO 406 ISO 1101		projection 		product family MOD JACK	
ltr		ecn no		dr		date		title	
A		F04-0363		DLE		04.10.18		SMT RA JACK 6 POS INSIDE	
B		F06-0240		DLE		06.07.18			
		angles		linear		±0.13		mm	
		±2'						scale 2:1	
		dr		D LEGRAND		04.10.18		dwg no	
		enrg		P NIZZI		04.10.18		sheet 3 of - size	
		chr		D LEGRAND		04.10.18		73326	
		appd		P NZ		04.10.18		A4	
sheet index		revision sheet						type CUSTOMER Drawing	



form: A4