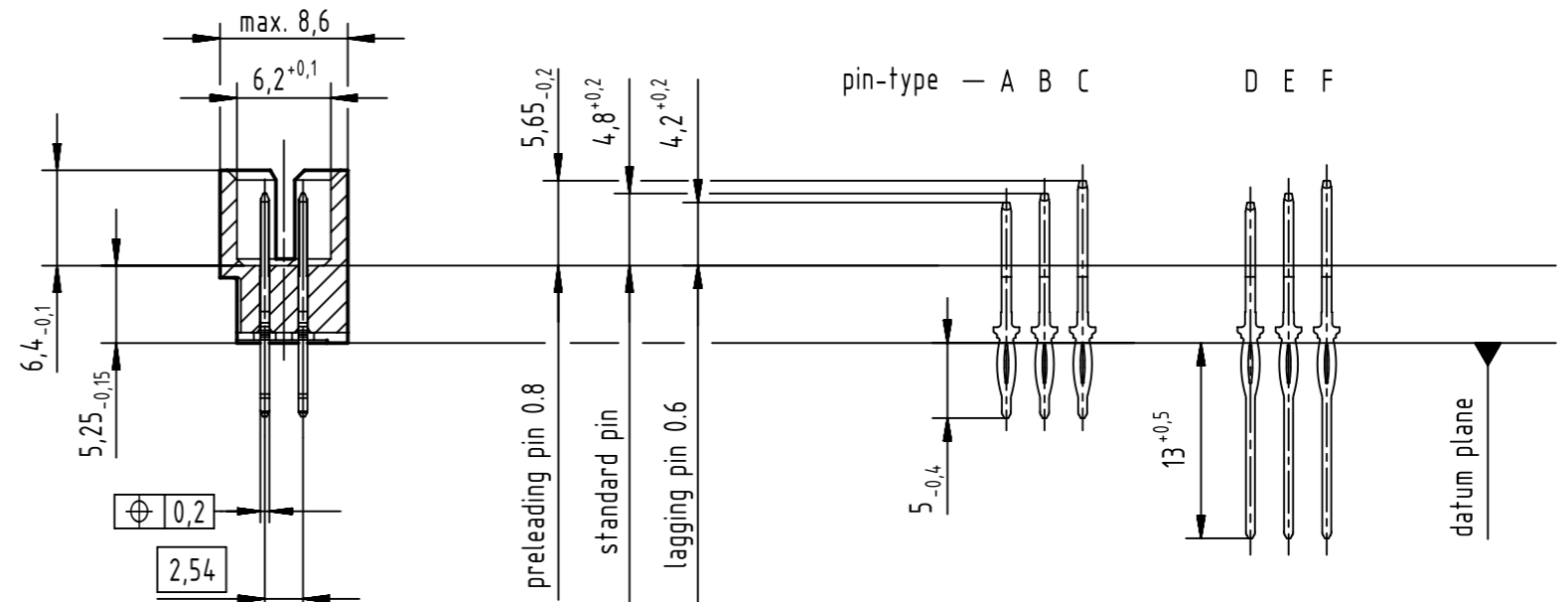
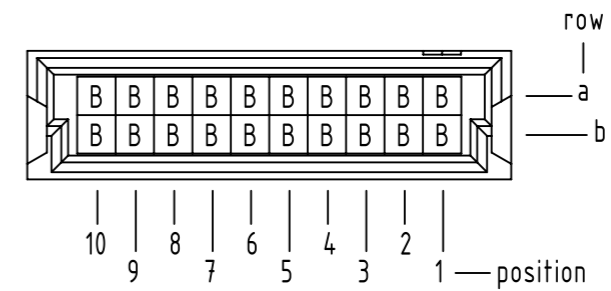


A-A (2:1)



B (2:1)
contact loading



1 recommended configuration of plated through holes and further information see: DS 09731100001

09751206504

2

part no.

performance level 1

	All rights reserved	Created by HASELOH	Inspected by JASCHKE	Standardisation HOFFMANN	Date 2013-11-22	State Final Release	Ref. Sub.
	Department EC PD - DE	Title DIN Signal type 3Q male press-in 5mm 20-pole				Doc-Key / ECM-Nr. 100223825/UGD/000/A 50000068802	
HARTING Electronics GmbH D-32339 Espelkamp		Type TB	Number 0975120X504		Rev. A	Page 1/1	