

Panel feed-through - QPD W 2PE1,5 8-13 M20 1,0 BK - 1414688

Please be informed that the data shown in this PDF Document is generated from our Online Catalog. Please find the complete data in the user's documentation. Our General Terms of Use for Downloads are valid (<http://phoenixcontact.com/download>)




Panel feed-through, QUICKON connection, number of positions: 2+PE, 0.5 mm² ... 1.5 mm², 690 V, 17.5 A, black, with QUICKON nut, cable diameter range: 10 mm ... 13 mm, assembly thread: M20, Single wires, 1.5 mm², cable length: 1 m

Why buy this product

- ✓ Innovative and time saving - QUICKON fast connection for time saving of up to 80 % for on-site connection
- ✓ Convenient: quick and easy assembly without special tools
- ✓ Robust throughout: housing with IP68/IP69K and IK07 protection for a wide range of applications
- ✓ Safer connection thanks to polarization against mismatching and touch-proof protection according to DIN EN 0105
- ✓ Efficient - by using panel feed-throughs, devices no longer need to be opened in order to connect cables

Key Commercial Data

| | |
|--------------|---|
| Packing unit | 1 STK |
| GTIN |  4 055626 031415 |
| GTIN | 4055626031415 |

Technical data

General

| | |
|--------------------------------|--------------------------------------|
| Type | QPD 3x1,5 |
| Length of cable | 1 m |
| Color | black |
| Locking type | Screw locking |
| Connection method | QUICKON connection IDC connection |
| Number of positions | 3 |
| Note number of positions | 2+PE |
| Tightening torque, union nut | 8 Nm |
| Tightening torque, counter nut | 5 Nm |
| Number of connections | 10 |

Panel feed-through - QPD W 2PE1,5 8-13 M20 1,0 BK - 1414688

Technical data

General

| | |
|---------------------------------------|---------------------|
| Conductor cross section flexible min. | 0.5 mm ² |
| Conductor cross section flexible max. | 1.5 mm ² |
| Conductor cross section solid min. | 0.5 mm ² |
| Conductor cross section solid max. | 1.5 mm ² |
| Conductor cross section AWG min. | 20 |
| Conductor cross section AWG max. | 16 |

Cabel

| | |
|---|------------------------------------|
| Structure of individual litz in acc. with VDE 0295 / smallest wire diameter | VDE 0295 class 1 to 6/min. 0.15 mm |
| Wire insulation material | PVC/PE/TPE/rubber |
| Wire diameter including insulation | 1.6 mm ... 3 mm |
| External cable diameter | 10 mm ... 13 mm |
| Conductor cross section | 1.5 mm ² |
| Wire colors | brown, blue, green/yellow |
| Position marking | 1, 2, PE |

Ambient conditions

| | |
|---|-------------------|
| Degree of protection | IP66 |
| | IP68 (2 m / 24 h) |
| | IP69K |
| Ambient temperature (operation) | -40 °C ... 100 °C |
| Ambient temperature (storage/transport) | -40 °C ... 100 °C |
| Temperature when conductor connected | -5 °C ... 50 °C |

Electrical characteristics

| | |
|--------------------------------|--------|
| Nominal current I _N | 17.5 A |
| Rated current | 17.5 A |
| Rated voltage (III/3) | 690 V |
| Rated voltage (III/2) | 1000 V |
| Rated voltage (II/2) | 1000 V |
| Rated surge voltage (III/3) | 6 kV |
| Rated surge voltage (III/2) | 8 kV |
| Rated surge voltage (II/2) | 8 kV |

Mechanical characteristics

| | |
|--------------------------|---------|
| QUICKON connectability | max. 10 |
| Category of shock impact | IK07 |

Material data

| | |
|--------------------------|---------------|
| Contact material | Cu |
| Contact surface material | silver-plated |
| Contact carrier material | PA |
| Insulating material | PA |

Panel feed-through - QPD W 2PE1,5 8-13 M20 1,0 BK - 1414688

Technical data

Material data

| | |
|--|-----|
| Flammability rating according to UL 94 | V0 |
| Overvoltage category | III |
| Degree of pollution | 3 |

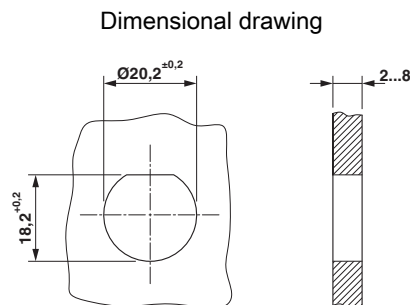
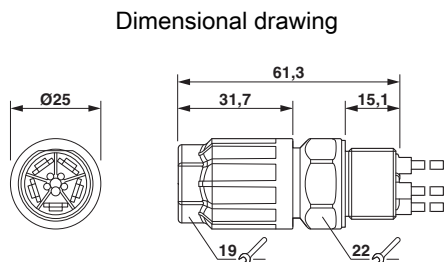
Standards and Regulations

| | |
|--|----|
| Flammability rating according to UL 94 | V0 |
|--|----|

Environmental Product Compliance

| | |
|------------|---|
| China RoHS | Environmentally Friendly Use Period = 50 |
| | For details about hazardous substances go to tab "Downloads", Category "Manufacturer's declaration" |

Drawings



Housing cutout

Approvals

Approvals

Approvals

GL / VDE approval of drawings / IECEx CB Scheme / EAC


Ex Approvals

Approval details


| | | | |
|----|--|---|------------|
| GL | | http://exchange.dnv.com/tari/ | 6195914 HH |
|----|--|---|------------|


Panel feed-through - QPD W 2PE1,5 8-13 M20 1,0 BK - 1414688

Approvals

| | | | |
|--------------------------|---|---|----------|
| VDE approval of drawings |  | http://www2.vde.com/de/Institut/Online-Service/VDE-gepruefteProdukte/Seiten/Online-Suche.aspx | 40029149 |
|--------------------------|---|---|----------|

| | |
|----------------------------|---------|
| Nominal voltage UN | 690 V |
| Nominal current IN | 17.5 A |
| mm ² /AWG/kcmil | 0.5-1.5 |

| | | | |
|-----------------|---|---|-----------|
| IECEE CB Scheme |  | http://www.iecee.org/ | DE1-58228 |
|-----------------|---|---|-----------|

| | | | |
|-----|---|--|--------------------------|
| EAC |  | | RU C- DE.AI30.B.01102 |
|-----|---|--|--------------------------|

Phoenix Contact 2018 © - all rights reserved
<http://www.phoenixcontact.com>

PHOENIX CONTACT GmbH & Co. KG
Flachsmarktstr. 8
32825 Blomberg
Germany
Tel. +49 5235 300
Fax +49 5235 3 41200
<http://www.phoenixcontact.com>