

4

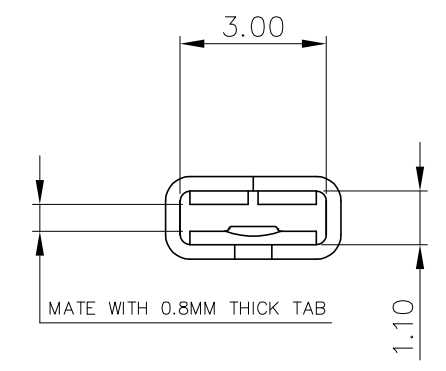
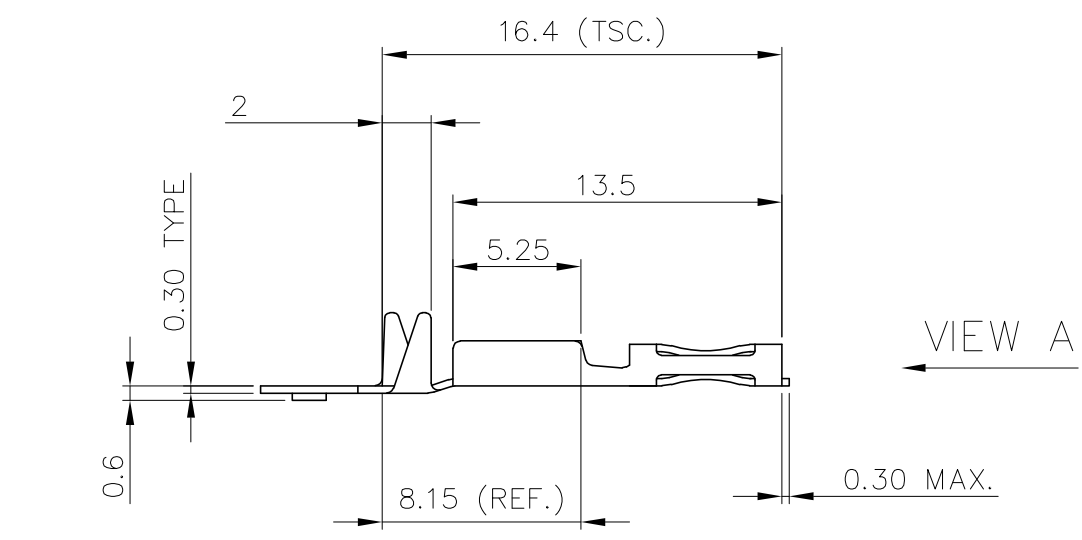
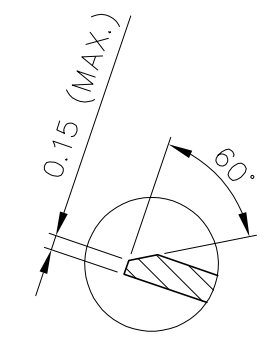
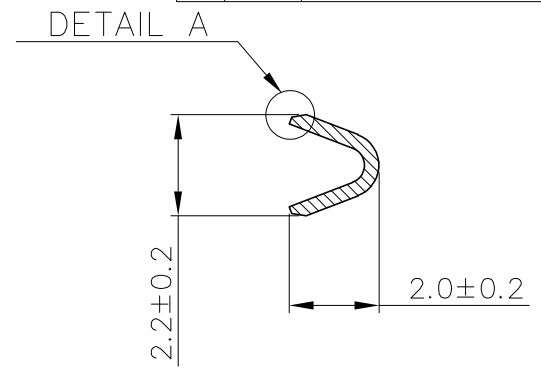
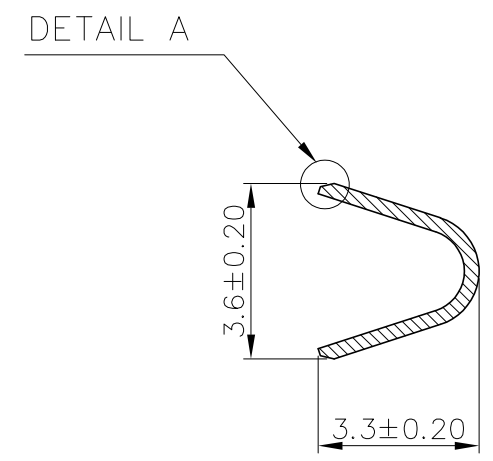
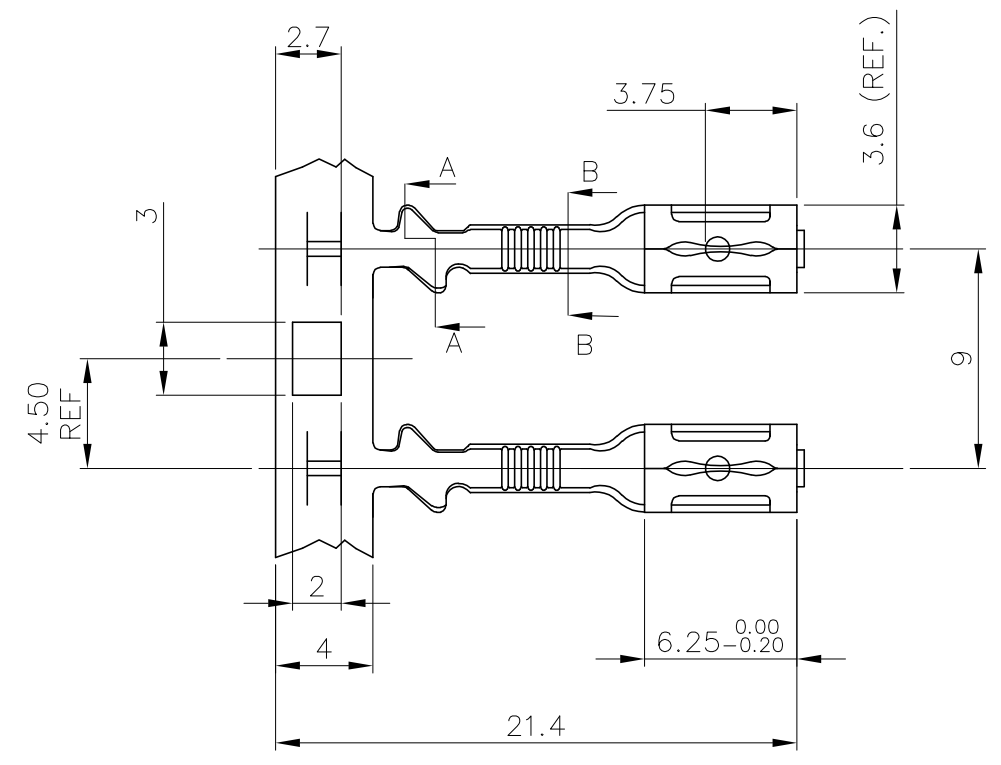
3

2

1

THIS DRAWING IS UNPUBLISHED. RELEASED FOR PUBLICATION
 © COPYRIGHT BY TYCO ELECTRONICS CORPORATION. ALL RIGHTS RESERVED.

| LOC | DIST | REVISIONS | | | |
|-----|------|---------------|-----------|-----|------|
| P | LTR | DESCRIPTION | DATE | DWN | APVD |
| | C | ECR-08-019723 | 6AUG2008 | SL | BW |
| | C1 | ECR-09-003508 | 16FEB2009 | SL | JZ |
| | C2 | ECR-10-023555 | 16NOV2010 | JL | SM.L |
| | C3 | ECR-11-008008 | 15APR2011 | LL | SM.L |



- NOTES:
1. MATERIAL: COPPER ALLOY.
 2. CONTINUOUS STRIP ON REELS.
 3. INSULATION APPLICATION DATA: ϕ 1.70 mm MAX.
 4. INSERTION AND WITHDRAW FORCE MEET UL310 .
 5. POST TIN PLATED.

| | | |
|-------------------------------|--------|-----------|
| ENAMEL WIRE: ϕ 0.45~0.75 | 6 | 1494212-2 |
| ENAMEL WIRE: ϕ 0.45~0.75 | BARE | 1494212-1 |
| APPLICATION DATA | FINISH | P/N |

| | | | | | |
|--|--|--|-----------|------------------|---|
| THIS DRAWING IS A CONTROLLED DOCUMENT. | | DWN | 25OCT2002 | | Tyco Electronics Corporation Shanghai, China |
| | | CHK | 04NOV2002 | | |
| | | APVD | 06NOV2002 | | |
| DIMENSIONS: mm | | TOLERANCES UNLESS OTHERWISE SPECIFIED: | | NAME | |
| | | 0 PLC | ± - | | SIZE (2.8) AMPLIVAR FASTON RECT. |
| | | 1 PLC | ± 0.2 | | |
| | | 2 PLC | ± 0.15 | | SIZE CAGE CODE DRAWING NO RESTRICTED TO A3 00779 C-1494212 |
| | | 3 PLC | ± - | | |
| | | 4 PLC | ± - | | SCALE 1:1 SHEET 1 OF 1 REV C3 |
| | | ANGLES | ± 5° | | |
| MATERIAL SEE NOTES | | FINISH SEE TABLE | | CUSTOMER DRAWING | |