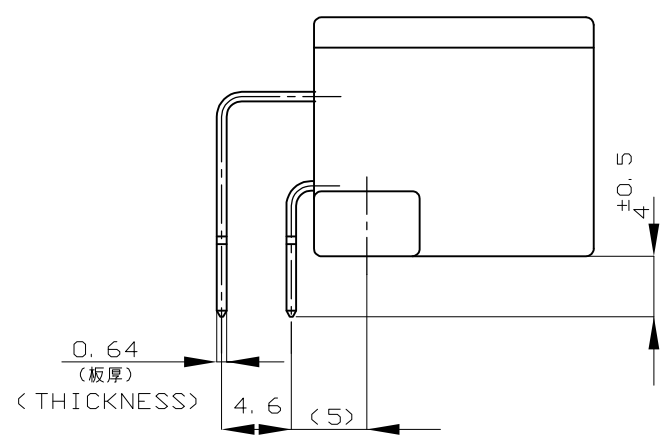
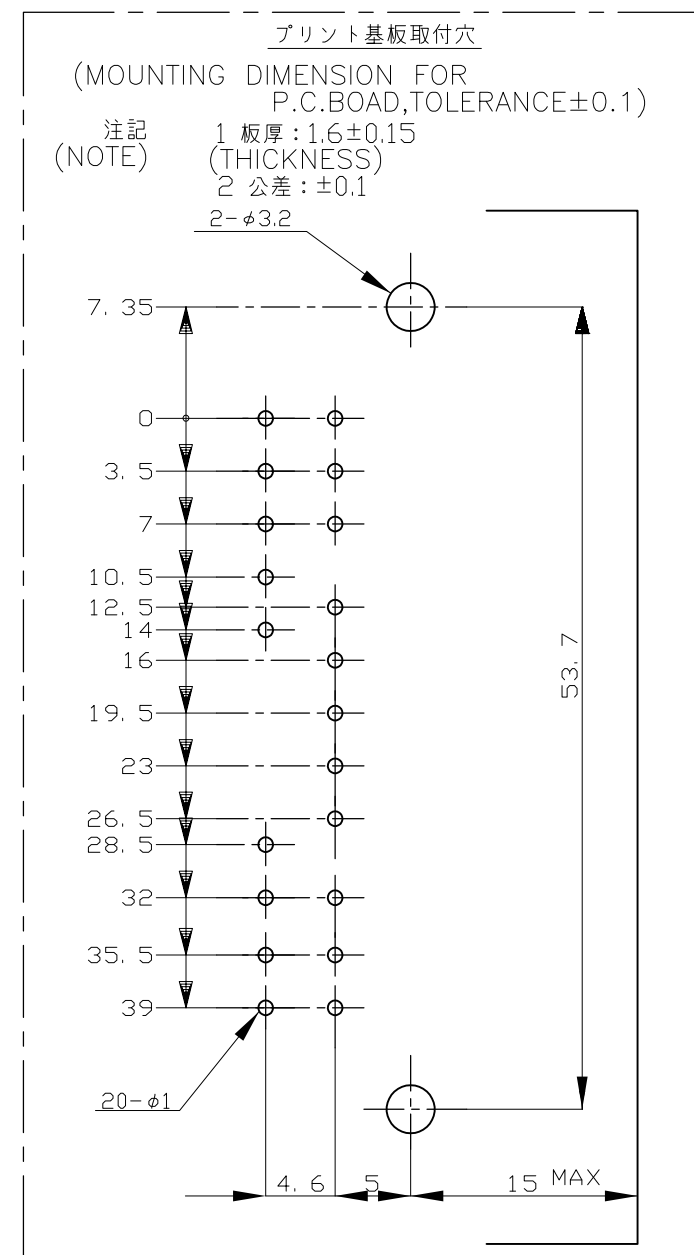
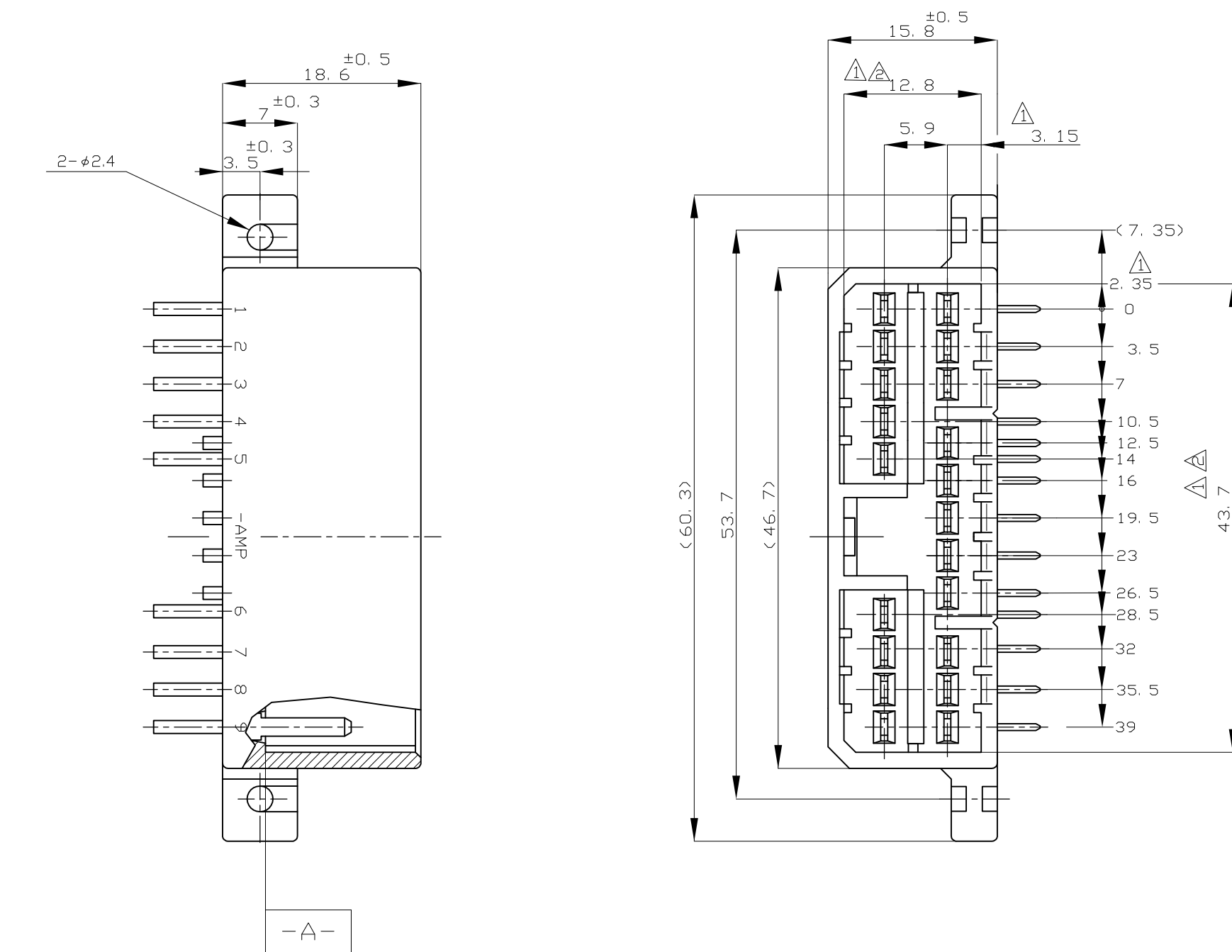


THIS DRAWING IS UNPUBLISHED. RELEASED FOR PUBLICATION
 © COPYRIGHT 2004 By - ALL RIGHTS RESERVED.

LOC		DIST		REVISIONS			DATE	DWN	APVD
J	-	P	LTR	DESCRIPTION					
		D4		REVISED PER ECO-11-005140			28MAR11	RK	HMR



注記 \triangle \square 面より2mmの範囲で測定
 \triangle 相手ハウジング (型番: 174952) と
 所定の機能を満たして嵌合できること
 3 プリント基板への取付けは、JIS-B1115
 又は1122, M3X6ナベ (2種又は4種) の
 タッピングネジで締め付けた後ハンダ付けする。
 (締め付けトルク: 4kg-cm以下)

NOTE \triangle MUST BE KEPT BETWEEN \square AND 2
 \triangle TO MATE WITH PLUG HSG
 (P/N 174952) SMOOTHLY
 3 RECOMMEND MOUNTING SCREW; M3X6 PAN HEAD,
 CLASS 2 TAPPING SCREW SPECIFIED IN
 JIS B1115, B1122
 (TIGHTENING TORQUE; 4Kg-cm MAX)

TOLERANCE UNLESS OTHERWISE SPECIFIED: 一般公差	
0 < * ≤ 10	: ±0.2
10 < * ≤ 30	: ±0.25
30 < * ≤ 100	: ±0.3
ANGLE	: ±3°
角度	

THIS DRAWING IS A CONTROLLED DOCUMENT.	
DIMENSIONS: 単位: 純 mm	TOLERANCES UNLESS OTHERWISE SPECIFIED: 一般公差
0 PLC ±	1 PLC ±
1 PLC ±	2 PLC ±
2 PLC ±	3 PLC ±
3 PLC ±	4 PLC ±
4 PLC ±	ANGLES ±
MATERIAL 材料	FINISH 仕上
HSG:PBT	SEE TABLE
TAB:SEE TABLE	

OBSOLETE	BRASS	SELECTIVE-TIN	PRE-TIN	BLACK	9-175785-2
	BRASS		PRE-TIN	GRAY	175785-6
	BRASS	SELECTIVE-TIN (MATTE)	SELECTIVE GOLD	WHITE	175785-3
	PHOSPHOR BRONZE		PRE-TIN	WHITE	175785-2
	BRASS		PRE-TIN	WHITE	175785-1
	CONTACT MATERIAL	SOLDERING SIDE 半田付け部	CONTACT SIDE 接触部側	COLOR 色	PART NUMBER 製品型番
	CONTACT MATERIAL	CONTACT FINISH			
	CONTACT MATERIAL	CONTACT FINISH			

THIS DRAWING IS A CONTROLLED DOCUMENT.		DWN 19FEB04	A.YAMAGUCHI		
		CHK 19FEB04	K.BETSUI		
		APVD 19FEB04	K.BETSUI		
		PRODUCT SPEC	製品規格		
		APPLICATION SPEC	取付適用規格		
		WEIGHT	-	SIZE A2	CAGE CODE 00779
		CUSTOMER DRAWING	SCALE 2:1	SHEET 1 OF 1	REV D4
		DRAWING NO 番号			RESTRICTED TO
		070 SERIES MULTILOCK I/O CONNECTOR			
		20POSITION CAP HOUSING			
		(W-B(H-TYPE))			
		DRAWING NO 番号			
		C=175785			