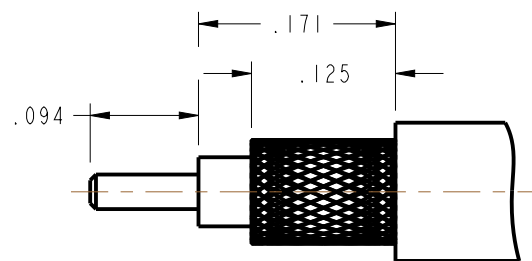


NOTES:

1. MATERIALS AND FINISHES:
 BODYS- BERYLLIUM COPPER, GOLD PLATING
 CONTACT - BERYLLIUM, GOLD PLATING
 INSULATOR - PTFE
2. ELECTRICAL:
 A. IMPEDANCE: 50 OHM
 B. DIELECTRIC WITHSTANDING VOLTAGE: 300 VRMS, MIN.
3. MECHANICAL:
 A. DURABILITY: 500 CYCLES MIN.
 B. TEMPERATURE RANGE: -65° C TO +165° C
4. PACKAGING:
 A. QUANTITY: SINGLE PACK
 B. MARKING: BAG TO BE MARKED
 "AMPHENOL, 901-103-11, AND DATE CODE"

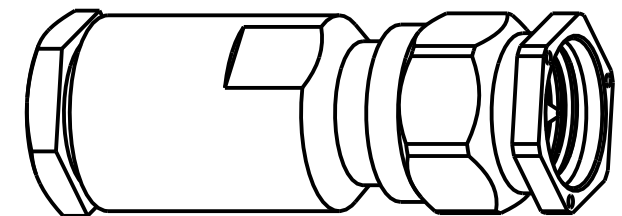
5 SHOWS CABLE ENTRY DIMENSIONS

901-103-11		REVISIONS			
DRAWING NO.	REV	DESCRIPTION	DATE	ECO	APPR
THIRD ANGLE PROJ.	--	RELEASE TO MFG.	-----	-----	-----
	V	REDRAWN IN PRO-E, ADD COD	6/15/11	47678	NMV
	W	MOVED STAMPING	4/28/14	49968	CPM



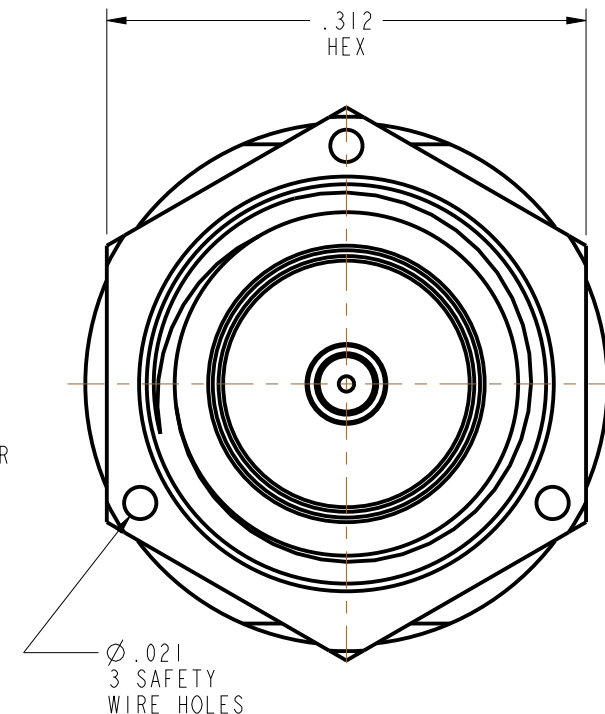
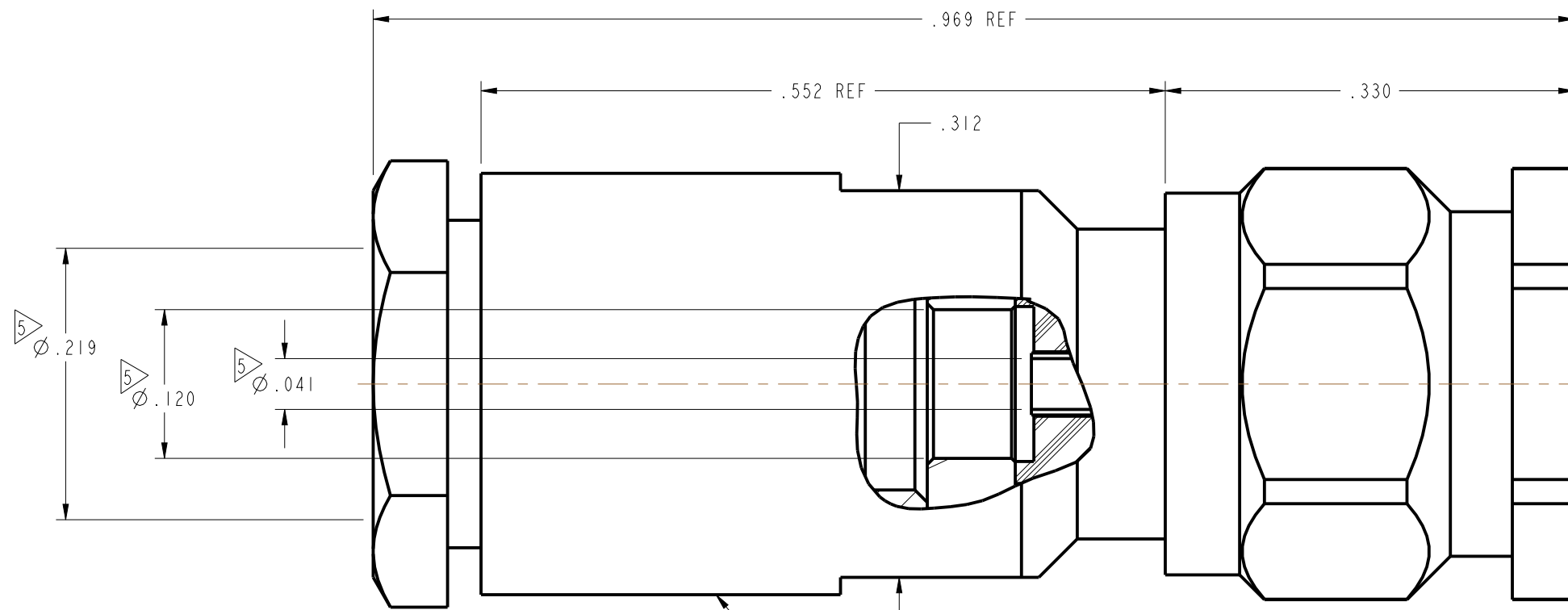
SCALE 6.000

RECOMMENDED CABLE STRIPPING DIMENSIONS



SCALE 3.000

MIL-C-39012 INSPECTION



THIS CONNECTOR COVERED BY U.S. PATENT 3,439,294

STAMP 74868 M39012/55-4009 YYWW
(4 DIGIT DATE CODE YEAR & WEEK)

CUSTOMER OUTLINE DRAWING

ALL OTHER SHEETS ARE FOR INTERNAL USE ONLY

UNLESS OTHERWISE SPECIFIED, DIMENSIONS ARE IN INCHES AND TOLERANCES ARE: 2 PLACE DECIMAL 3 PLACE DECIMAL ANGLES $\pm .015$ (0,381 mm) $\pm .005$ (0,127 mm) $\pm 1^\circ$	MATERIAL SEE NOTES	DRAWN NISCHIT MV	DATE 10-Jul-09	TITLE SMA CONNECTOR CLAMP TYPE PLUG FOR RG-55/U, RG-58/U, RG-142/U RG-223/U CABLES		Amphenol RF Danbury, CT, USA Tainan, Taiwan Shenzhen, China www.amphenolrf.com	
	REFERENCE EPA B02202-51 X901-103 MIL-C-39012/55-4009	ENGINEER J.H.	DATE 4/28/71				
NOTICE - These drawings, specifications, or other data (1) are, and remain the property of Amphenol Corp. (2) must be returned upon request; and (3) are confidential and not to be disclosed to any person other than those to whom they are given by Amphenol Corp. The furnishing of these drawings, specifications, or other data by Amphenol Corp., or to any other person to anyone for any purpose is not to be regarded by implication or otherwise in any manner licensing, granting rights or permitting such holder or any other person to manufacture, use or sell any product, process or design, patented or otherwise, that may in any way be related to or disclosed by said drawings, specifications, or other data.	CAD FILE		CODE ID 74868	DWG SIZE B	DRAWING NO. 901-103-11	SCALE: 8.0:1	SHEET 2 OF 2