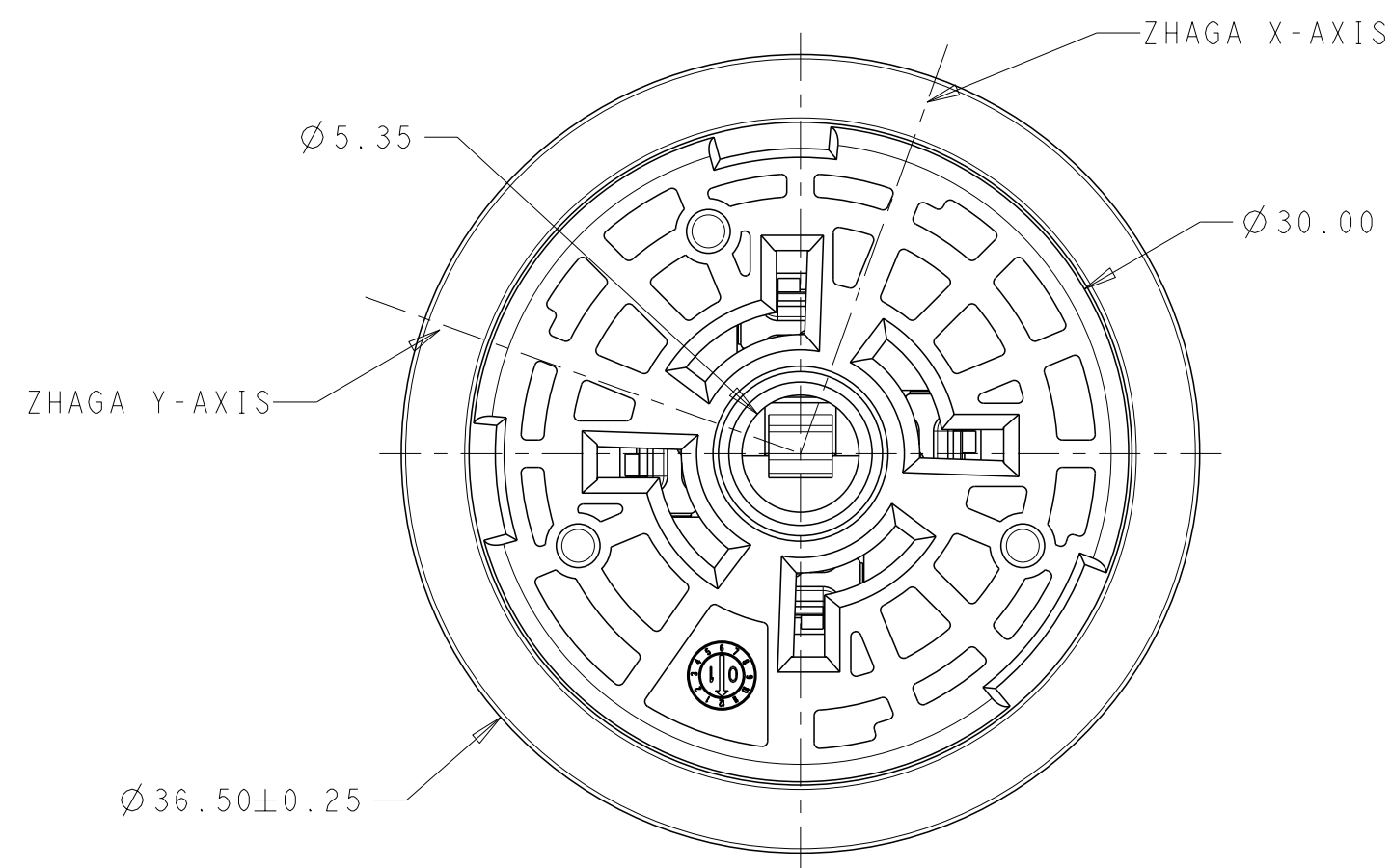


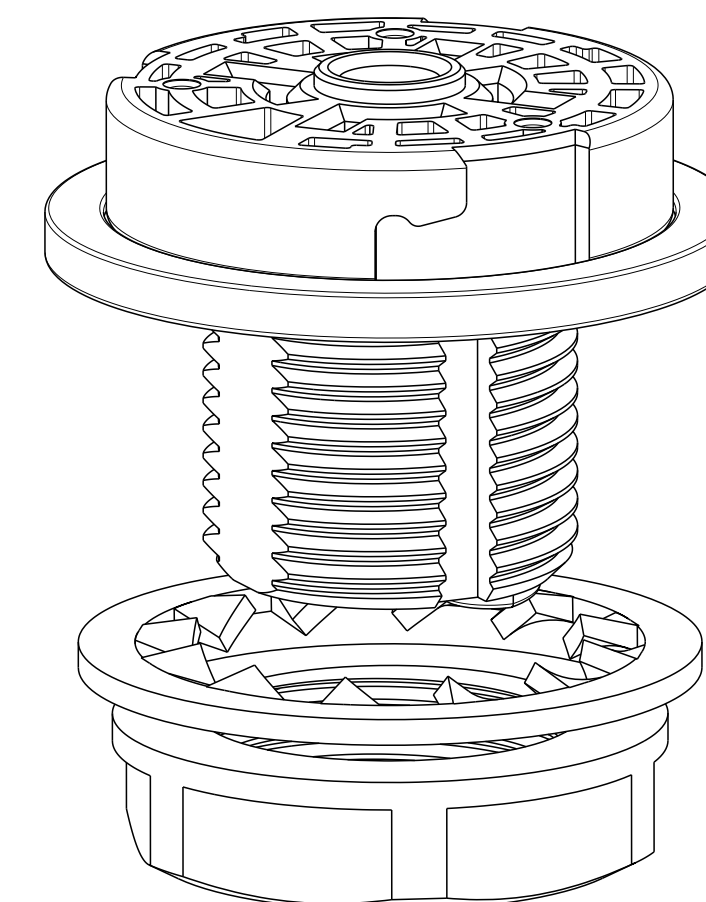
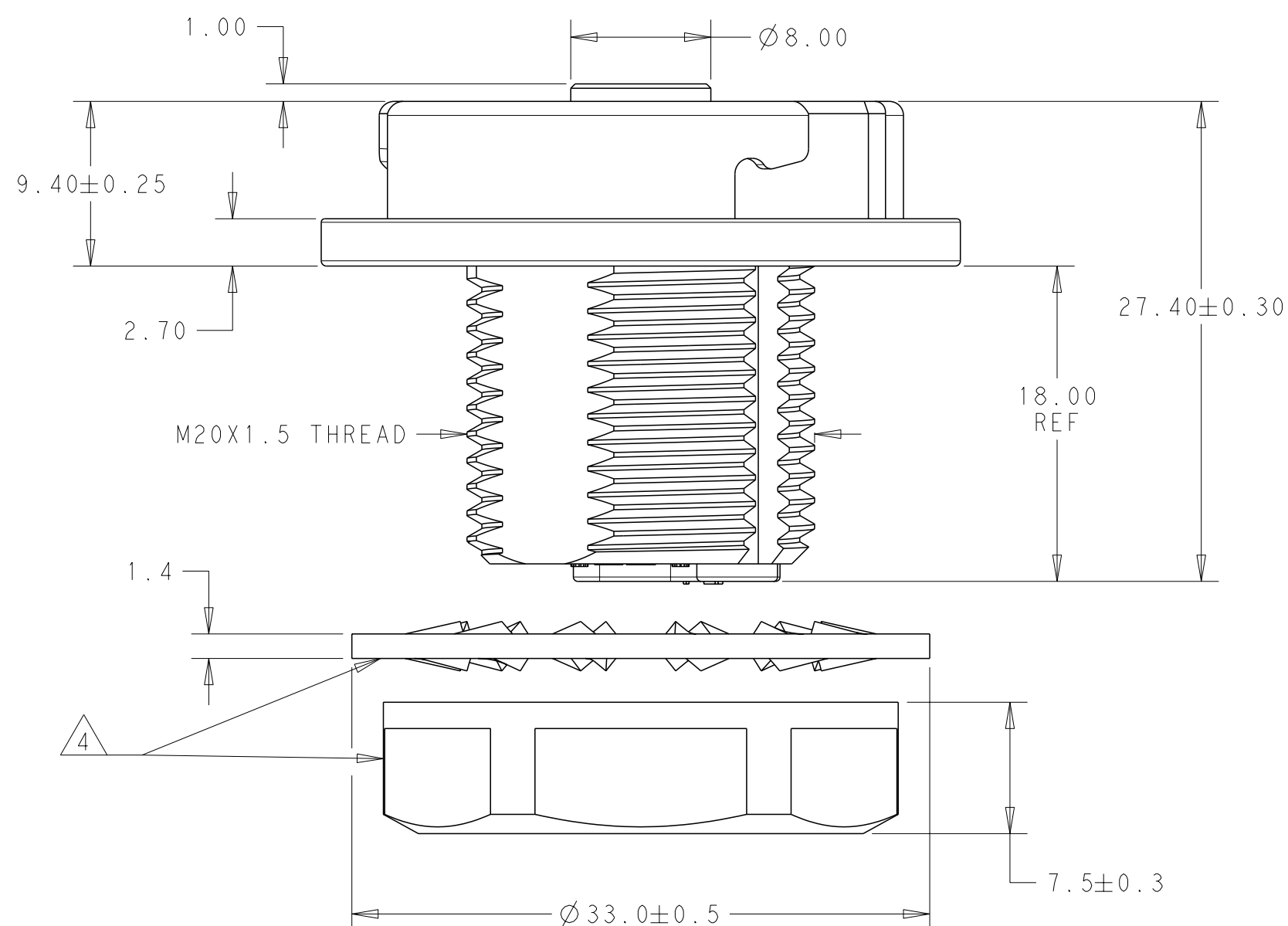
THIS DRAWING IS UNPUBLISHED. RELEASED FOR PUBLICATION 20
 © COPYRIGHT 20 BY - ALL RIGHTS RESERVED.

REVISIONS					
P	LTR	DESCRIPTION	DATE	DWN	APVD
A		RELEASED FOR PRODUCTION	13SEP2017	RK	OP



NOTES:

- 1 MATERIALS AND FINISH:
 -RECEPTACLE HOUSING: PBT, COLOR: GREY
 -NUT: NYLON, COLOR: BLACK
 -CONTACTS: COPPER ALLOY, FINISH: Sn OVER Ni
 -SEAL: SILICON, COLOR: BLACK
 -STAR WASHER: STAINLESS STEEL
- 2. MUST COMPLY WITH DIRECTIVE 2002/95/EC (ROHS)
- 3. WIRE SIZE: 0.5-1.5mm² (20-16AWG); MAX INSULATION OD: Ø3.0
 STRIP LENGTH: 10.0±1.0
- 4 LOCK WASHER (REF P/N: 2213817-1) AND NUT (REF P/N: 2213791-1)
 NOT ASSEMBLED, SHIPPED BULK PACKED



SCALE 5:2

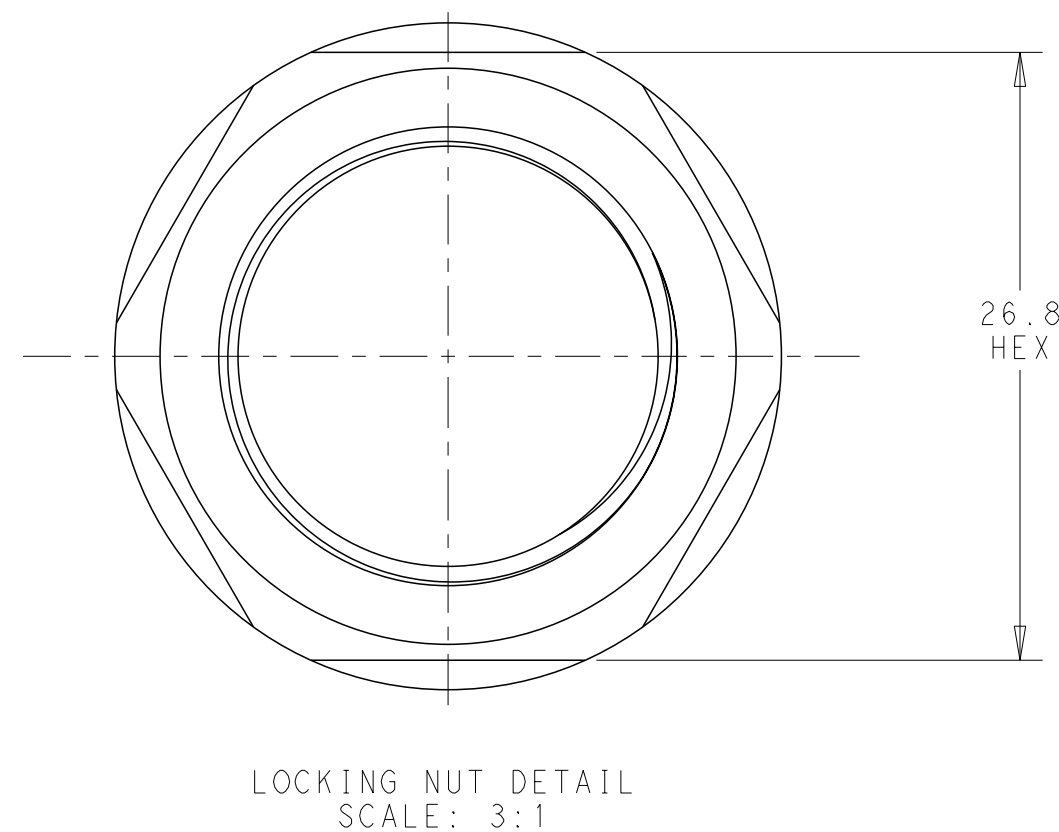
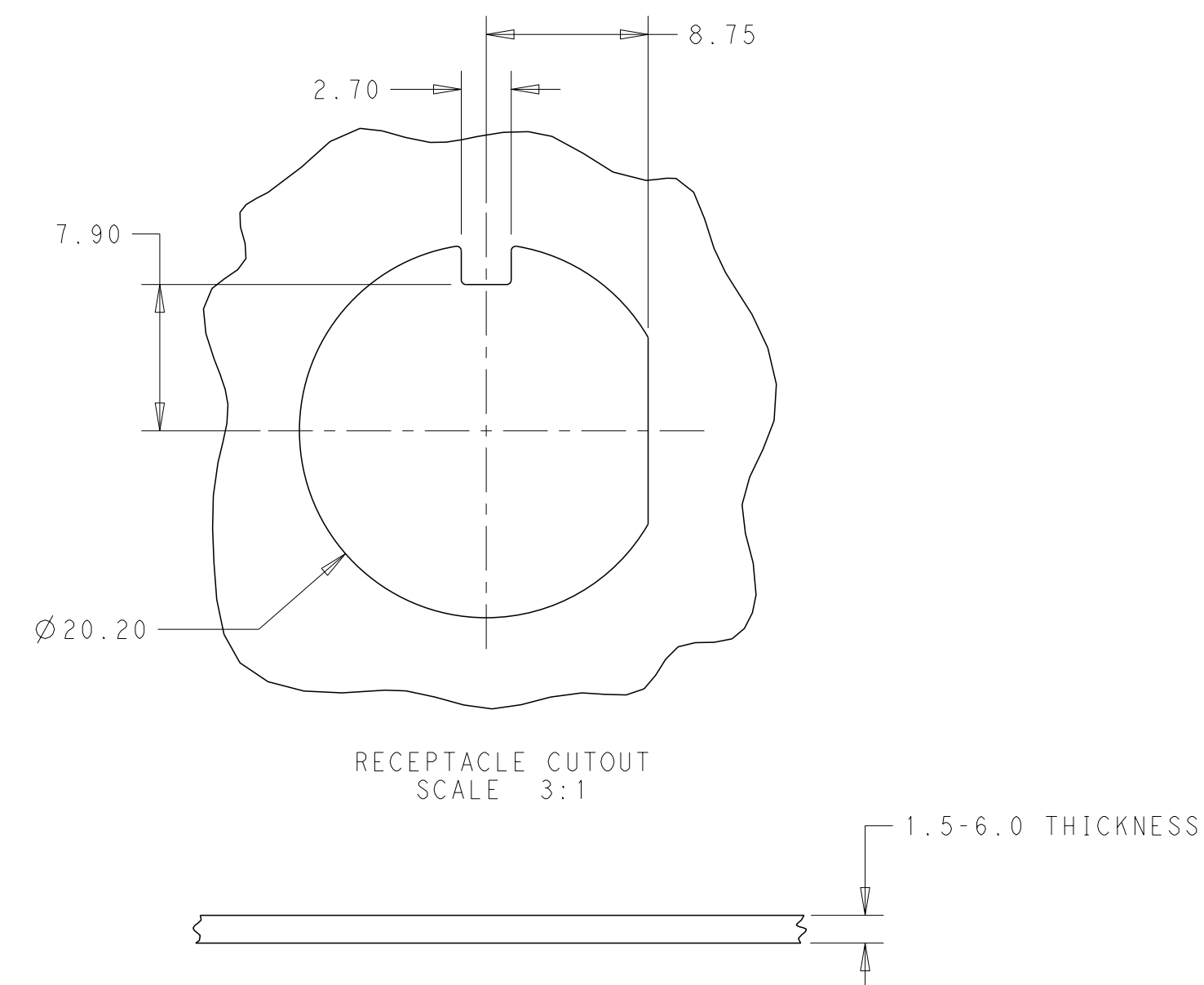
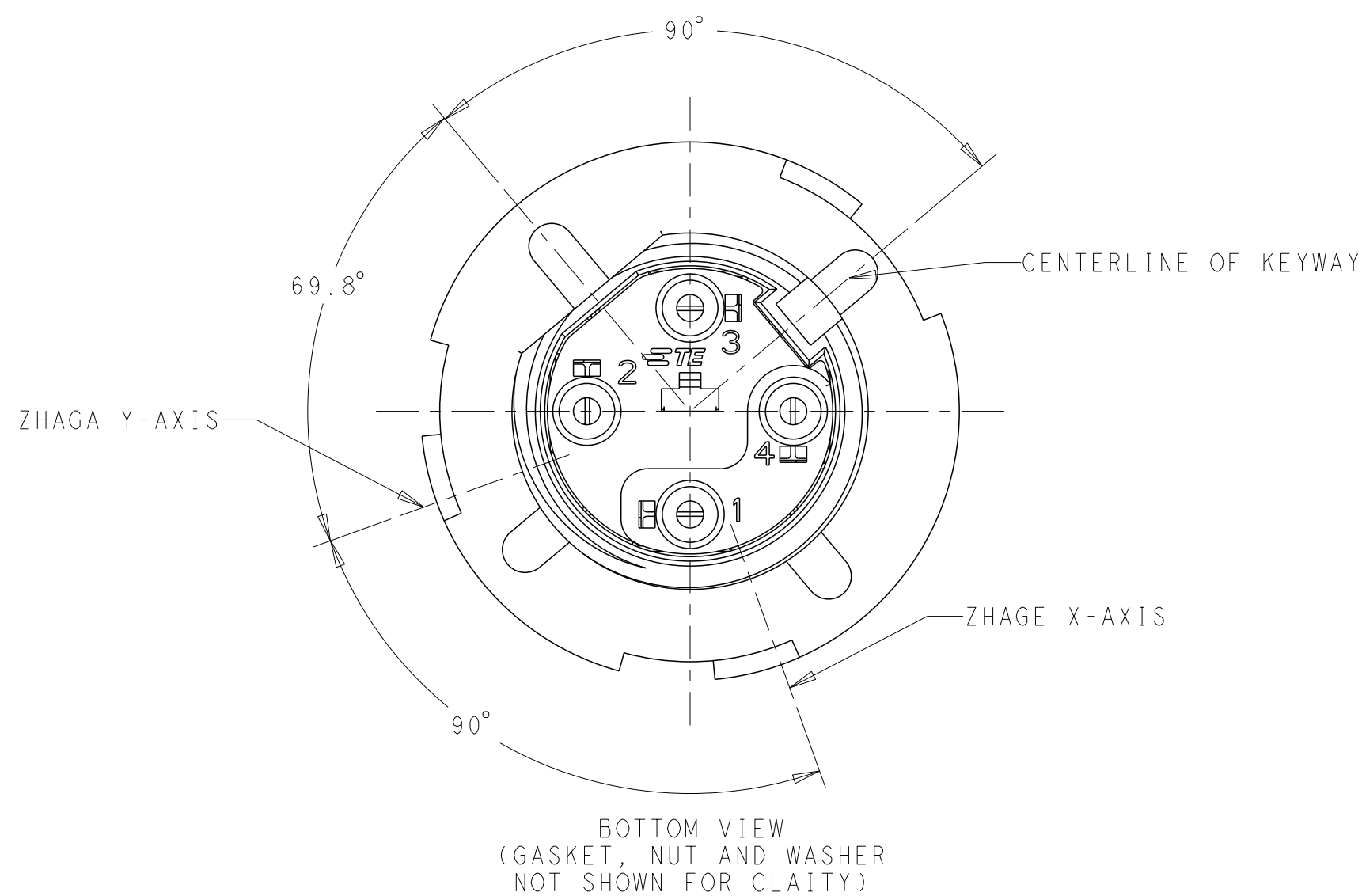
SEE SHEET 2 FOR
 BOTTOM VIEW DETAIL

2213858-1
 PART NO.

THIS DRAWING IS A CONTROLLED DOCUMENT.		DWN C. DAILY 05APR2016	TE Connectivity		
		CHK E. HOWARD 05APR2016			
DIMENSIONS:	TOLERANCES UNLESS OTHERWISE SPECIFIED:	APVD -	NAME	RECEPTACLE ASSEMBLY, LUMAWISE ENDURANCE S	
mm	0 PLC ± 1 PLC ±0.2 2 PLC ±0.15 3 PLC ± 4 PLC ±	PRODUCT SPEC 108-133073	SIZE	CAGE CODE	DRAWING NO
	ANGLES ±2 FINISH	APPLICATION SPEC 114-133074	A2	-	G-2213858
MATERIAL	-	WEIGHT	CUSTOMER DRAWING		RESTRICTED TO
			SCALE	SHEET	REV
			3:1	1 OF 2	A

THIS DRAWING IS UNPUBLISHED. RELEASED FOR PUBLICATION 20
 © COPYRIGHT 20 BY - ALL RIGHTS RESERVED.

REVISIONS				
P	LTR	DESCRIPTION	DATE	APVD
-	-	SEE SHEET 1	-	-



THIS DRAWING IS A CONTROLLED DOCUMENT.		DWN C. DAILY 05APR2016	STE TE Connectivity	
		CHK E. HOWARD 05APR2016		
DIMENSIONS: mm		TOLERANCES UNLESS OTHERWISE SPECIFIED:		APVD -
0 PLC ±-		1 PLC ±0.2		PRODUCT SPEC 108-133073
1 PLC ±0.15		2 PLC ±-		APPLICATION SPEC 114-133074
2 PLC ±-		3 PLC ±-		SIZE A2
3 PLC ±-		4 PLC ±-		CAGE CODE -
ANGLES ±2		FINISH		DRAWING NO C-2213858
MATERIAL -		WEIGHT -		RESTRICTED TO -
-		CUSTOMER DRAWING		SCALE 3:1 SHEET 2 OF 2 REV A