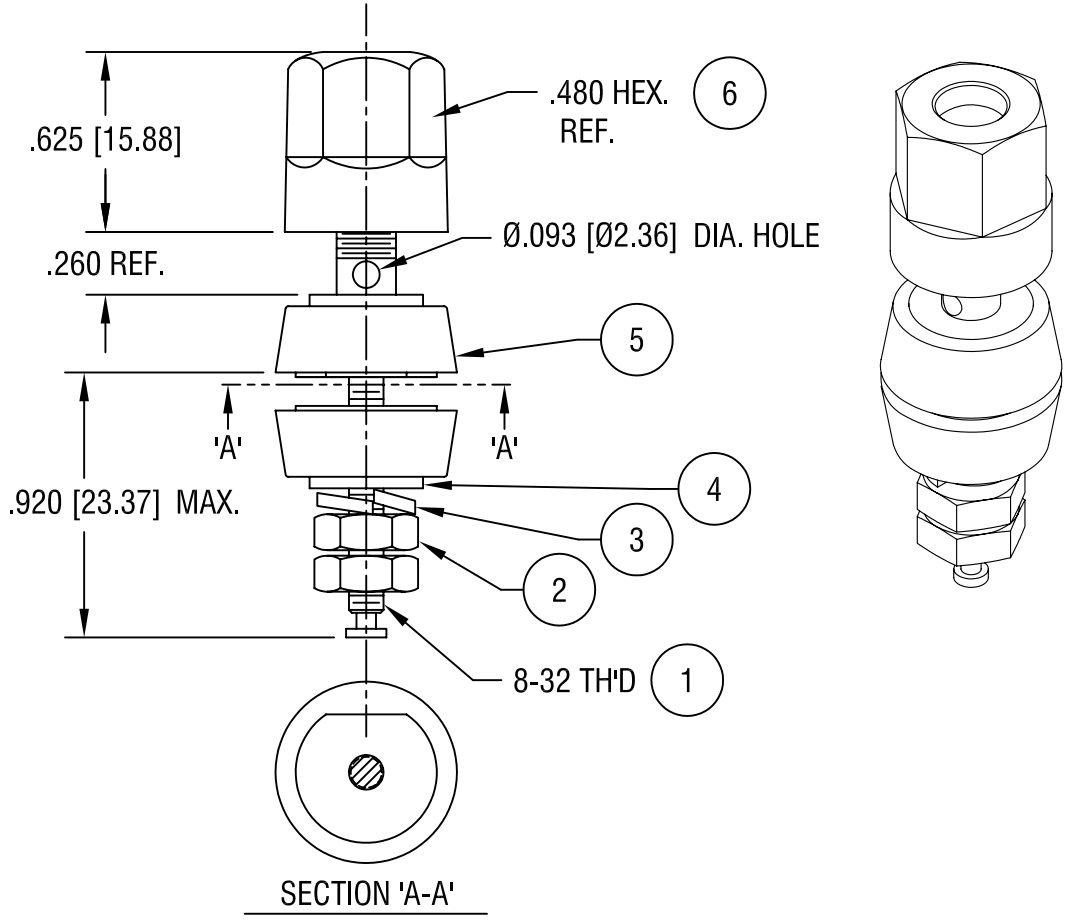


THIS DOCUMENT IS THE PROPERTY OF  
KEYSTONE ELECTRONICS CORP. AND  
SHALL NOT BE REPRODUCED, DISTRIBUTED  
OR USED AS A BASIS FOR MANUFACTURE  
WITHOUT PRIOR WRITTEN PERMISSION  
FROM KEYSTONE ELECTRONICS CORP.



| P/N  | TH'D | COLOR |
|------|------|-------|
| 4091 | 8-32 | RED   |
| 4092 | 8-32 | BLACK |

| 6   | 1   | HEAD              | NYLON | -          |
|-----|-----|-------------------|-------|------------|
| 5   | 2   | WASHER, INSULATOR | NYLON | -          |
| 4   | 2   | WASHER, INSERT    | BRASS | NICKEL PL. |
| 3   | 1   | WASHER, SPLIT     | BRASS | NICKEL PL. |
| 2   | 2   | NUT               | BRASS | NICKEL PL. |
| 1   | 1   | SHAFT 8-32 TH'D   | BRASS | NICKEL PL. |
| NO. | QTY | DESCRIPTION       | MAT'L | FINISH     |

**KEYSTONE ELECTRONICS CORP.**

ASTORIA, N.Y. 11105-2017

PART NAME

STANDARD 'HEX' BINDING POST

MATERIAL

AS NOTED

FINISH

AS NOTED

DRN BY BOONE

DATE 11.17.93

APP'D LN

SCALE X

TOLERANCES INCH [MM]  
DECIMAL ± .005 [± 0.15]  
ANGULAR ± 1°  
UNLESS OTHERWISE SPECIFIED

CODE  
C/M

DWG NO.

**4091-4092**

| 6.02.08 | CHANGE AS PER ECN 08-107 | B    |
|---------|--------------------------|------|
| 2.17.06 | CHANGE AS PER ECN 06-013 | A    |
| DATE    | DESCRIPTION              | REV. |